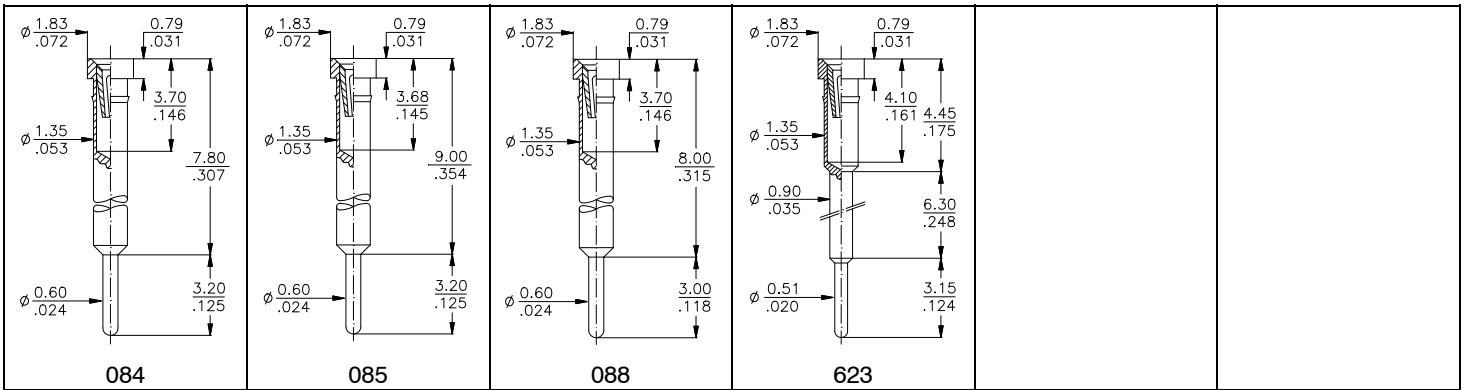
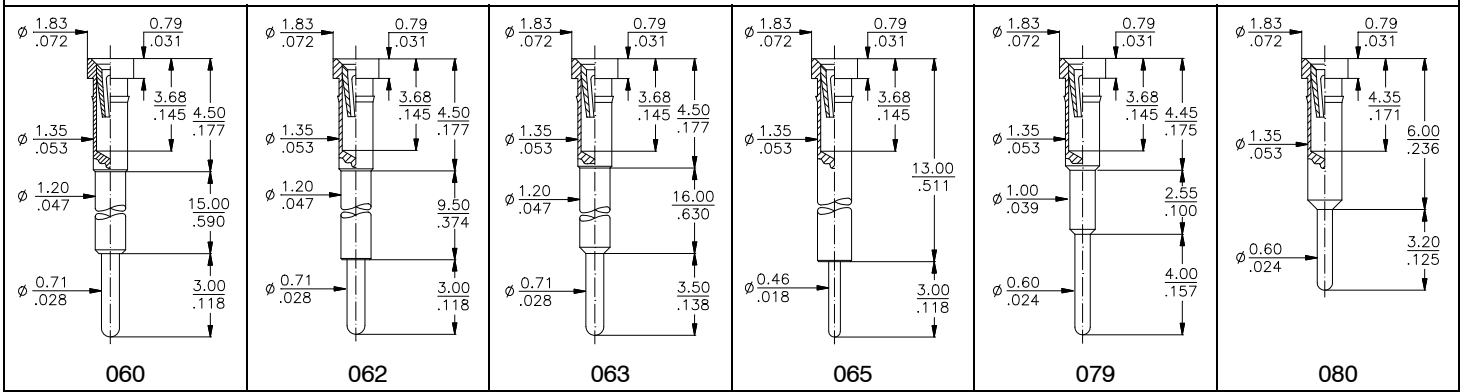
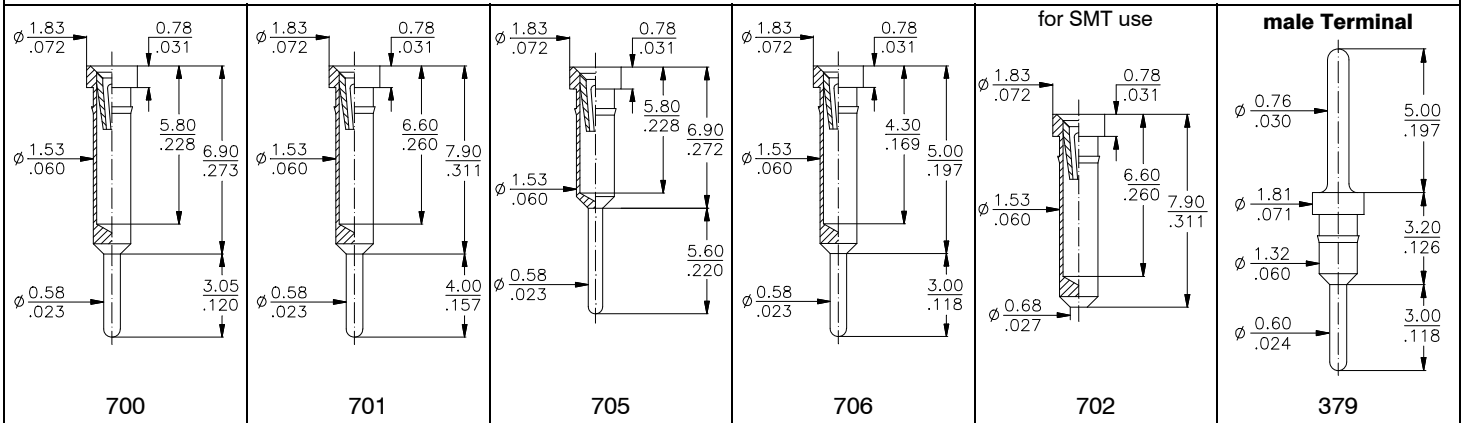


Raised Terminals



„Jumbo“ Contact & Male Terminals

(Contact accepts 0,64mm/.025" sq. & 0,90mm/.036" dia. Pins)



Solder Adapter Terminals

