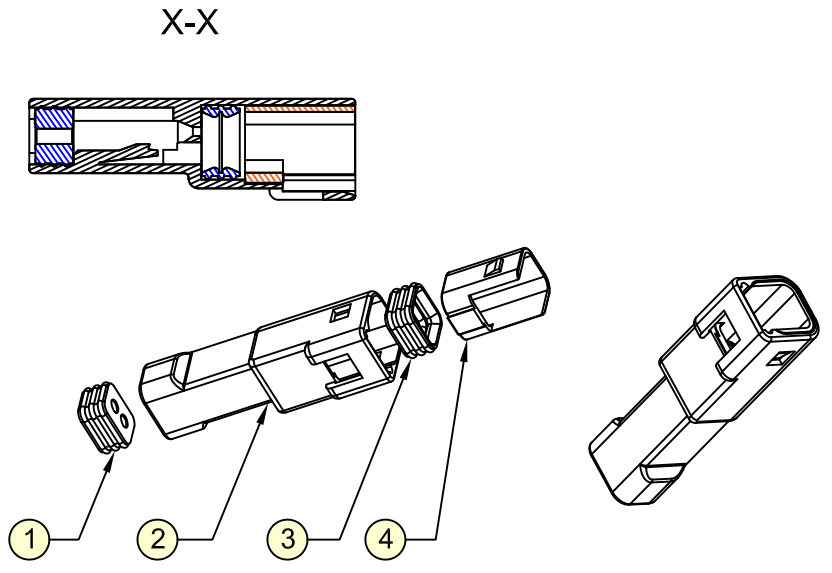
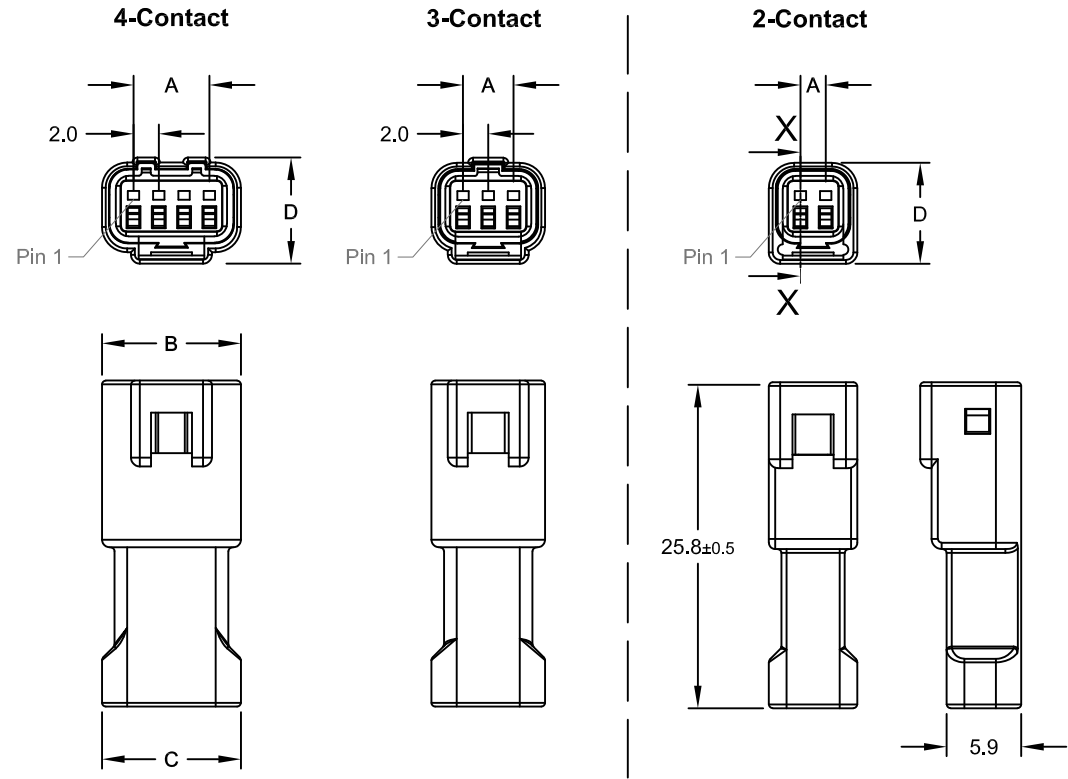


REV.	DESCRIPTION	DATE	DRAWN
A	New	20.08.2019	Cheng



Order Code
WWP-xxx-67-09-A/2

No. of contact
002 to 004

load with contact:
WWP-999/25-99-A

mate with:
WWR-xxx-67-09-A/2 Female Housing



Specifications

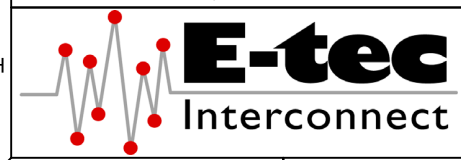
Electrical
 Current rating: 3A AC/DC per contact
 Insulation resistance: 1000MΩ min.
 Voltage rating: 250V AC/DC
 Withstanding voltage: 1500V AC

Mechanical Requirements
 Waterproof grade: IPX7 of IEC 60529
 Operating temperature: -40°C to 105°C

No. of Contacts	Dimension mm			
	A	B	C	D
002	2.0	7.0	7.0	8.1
003	4.0	9.0	9.0	8.4
004	6.0	11.0	11.0	8.4

Item	Part Name	Materials / Finish(Color)	Q'TY
1	Gasket Plug	Silicone / Light Blue	1
2	Body	PBT + 15%GF / White	1
3	Gasket Ring	Silicone / Blue	1
4	Cover	PBT + 15%GF / Orange	1

E-tec 2019 © - all rights reserved

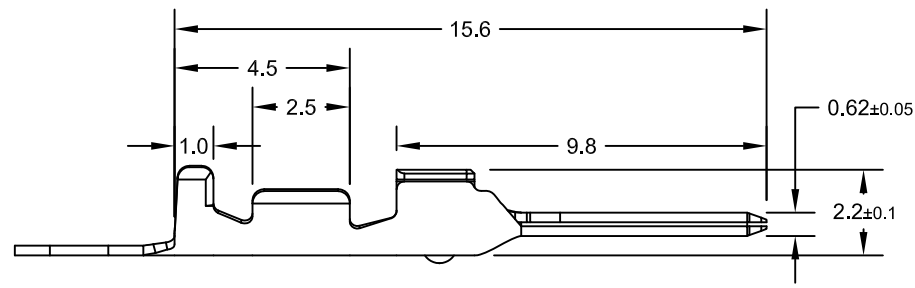
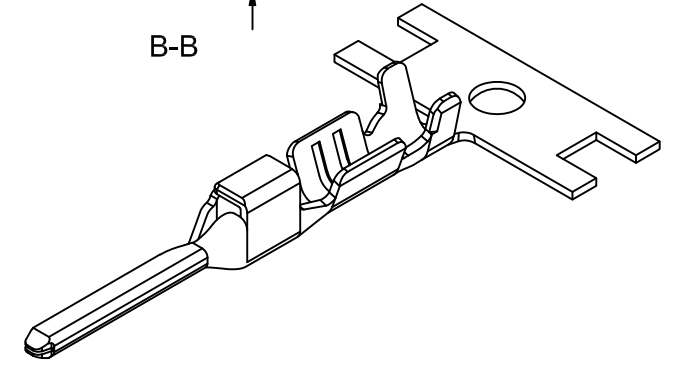
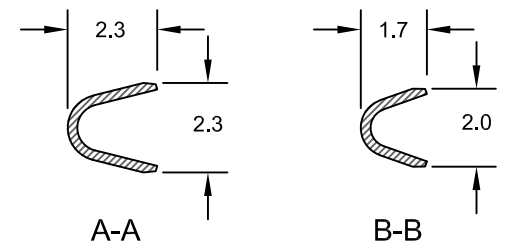
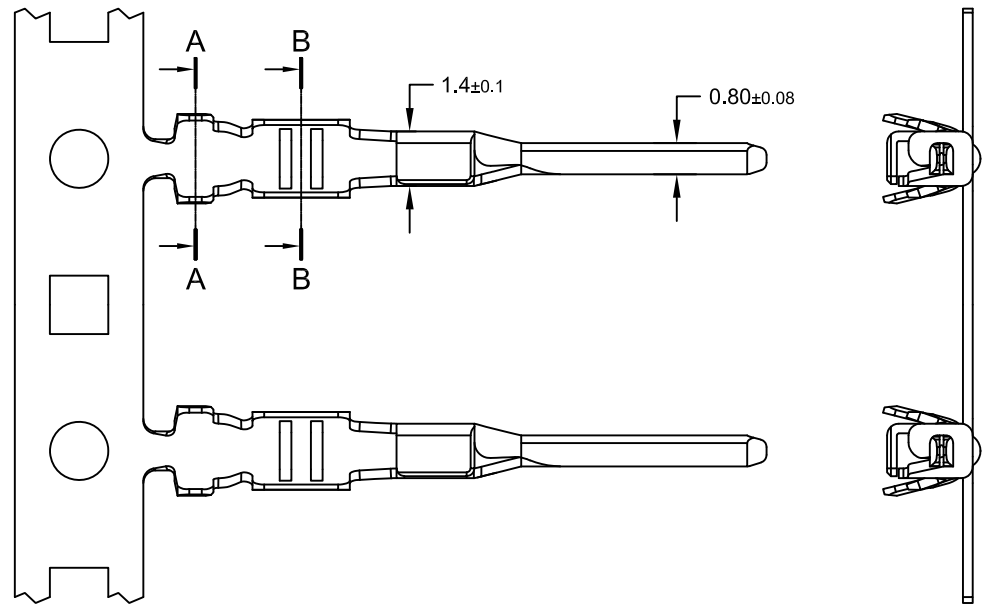


UNIT	mm	GENERAL TOLERANCE		DRAWN	Cheng	DATE	20.08.2019
SCALE	Free	X.° ±	X. ±	CHECK	Fagi	DATE	21.08.2019
		.XX° ±	.XX ±	APPROVE	Fagi	DATE	21.08.2019
		.XXX° ±	.XXX ±				

DWG. NO.	WWP-67-09-A/2	SHEET	1/2
SERIES NO.	WWP-xxx-67-09-A/2	REV.	A

Wire to Wire Connector
2/3/4-Contact Male Housing
 2.00mm-Pitch - Waterproof

REV.	DESCRIPTION	DATE	DRAWN
A	NEW	21.08.2019	Cheng



Order Code
WWP-999/25-99-A



Materials

Contact: PhBz t=0.25mm
 Plating: Tin

Operating temperature: -40°C to +105°C

Applicable wire range: AWG #22 ~ #24

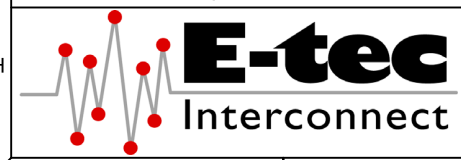
Packing

Reel: Q'ty 10,000pcs

Specifications

Current rating: 3A AC/DC (AWG #22)
 Insulation resistance: 100MΩ min.
 Voltage rating: 250V AC/DC
 Withstanding voltage: 1500V AC / Minute
 Contact resistance: Initial value 10mΩ max.
 After enviromental testing 20mΩ max.

E-tec 2019 © - all rights reserved



UNIT	GENERAL TOLERANCE		DRAWN	DATE	DWG. NO.	SHEET 2/2
mm	X.° ±	X. ±	Cheng	21.08.2019	WWP-999/25	REV. A
SCALE	.X° ±	.X ± 0.40	Fagi	21.08.2019	SERIES NO.	
	.XX° ±	.XX ± 0.25	Fagi	21.08.2019	WWP-999/25-99-A	
	.XXX° ±	.XXX ±				

Male Crimp Contact
 Load in Housing
WWP-xxx-67-09-A/2