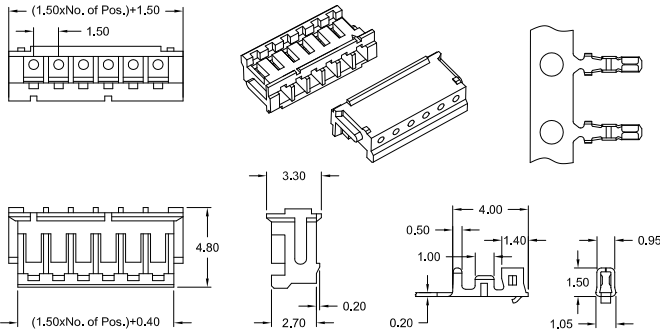


1.50mm Wire to Board Crimp Contact Connectors



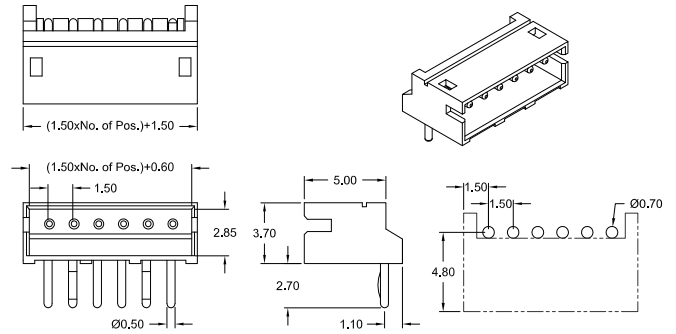
K - Type Single Row

Female Plug



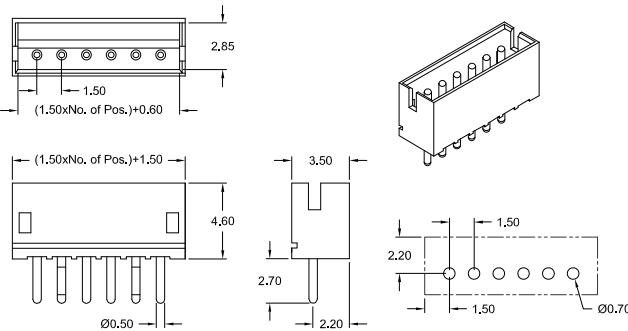
Order Code Housing: **CRF-1xx-K150** Contact: **CRF-999/35-K150-99**

-THT- Male Header right angle (side entry)



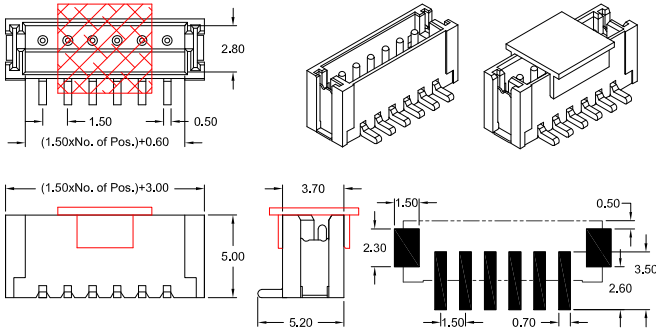
Order Code: **CRR-1xx-K150-99**

-THT- Male Header straight (top entry)



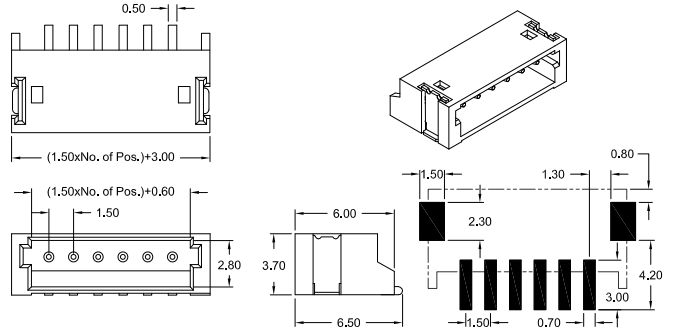
Order Code: **CRS-1xx-K150-99**

-SMT- Male Header right angle (side entry)



Order Code: **CRS-1xx-SK150-99/B**

-SMT- Male Header right angle (side entry)



Order Code: **CRR-1xx-SK150-99/R**

Specifications

Current rating	1 A	Voltage rating	50 V AC max.	Contact material	Brass
Insulation resistance	500 MΩ min.	Withstanding voltage	500 V AC	Insulator material K150	PA66 UL 94V-0
Contact resistance	20 mΩ max.	Operating temperature	-25°C to +85°C	Insulator material SK150	PA9T UL 94V-0
		SMT Processing temp.	+250°C for 5 sec.	PCB thickness	1.60 mm

How to order

CR X - x xx - X 150 - 99 / X

Type	Rows	Nbr of Contacts	Execution	Plating	Packing
F = Female R = R/A Male S = Straight Male	1 = single row <i>if Crimp Contact:</i> 9	02 to 13 <i>if Crimp Contact:</i> (MOQ: 10K / reel) 99/35 = AWG 28~32	K = THT & Plug SK = SMT for details see above dwg's	99 = Tin (leadfree) other platings on request	R = Reel B = Reel with PickUp Cap