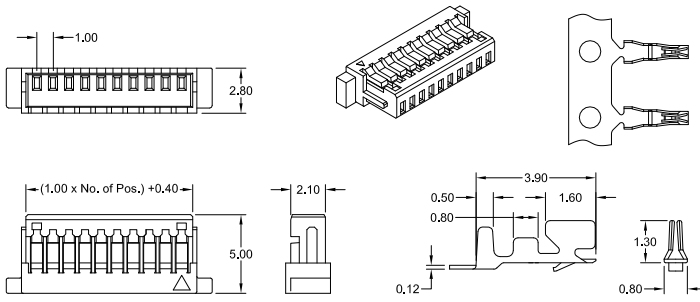


# 1.00mm Wire to Board Crimp Contact Connectors



## L - Type Female Plug

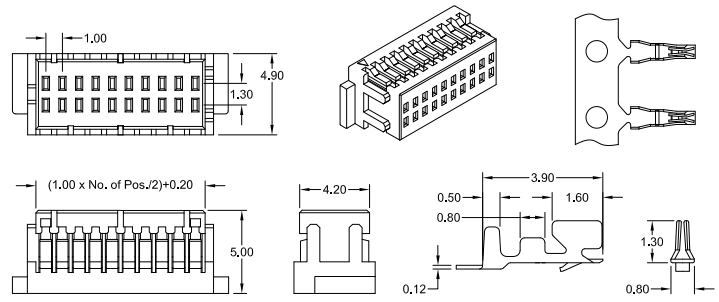
single row



Order Code Housing: CRF-1xx-L100

Contact: CRF-999/35-L100-99

dual row



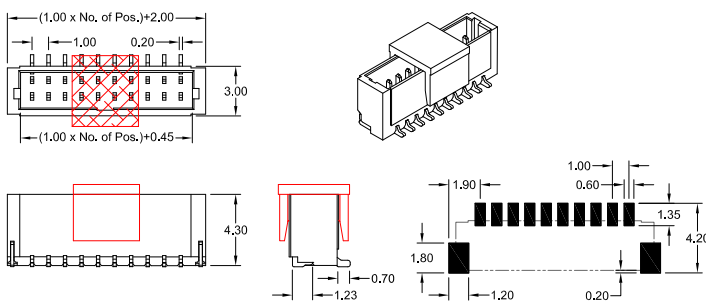
Order Code Housing: CRF-2xx-L100

Contact: CRF-999/35-L100-99

## L - Type Male Header

single row -SMT-

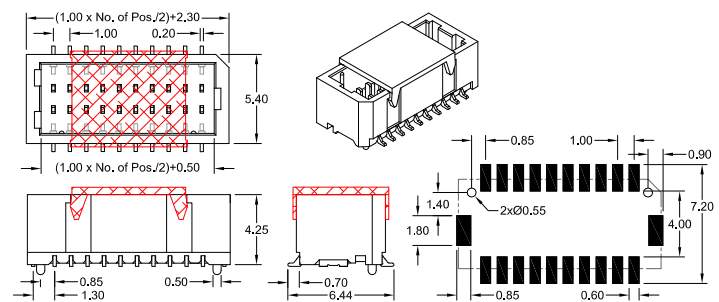
straight (top entry)



Order Code: CRS-1xx-SL100-99/B

dual row -SMT-

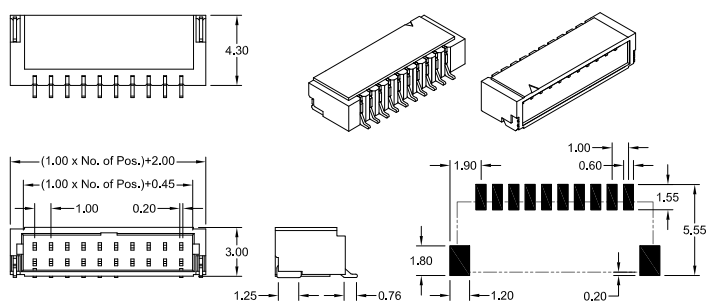
straight (top entry)



Order Code: CRS-2xx-SL100-95/E

single row -SMT-

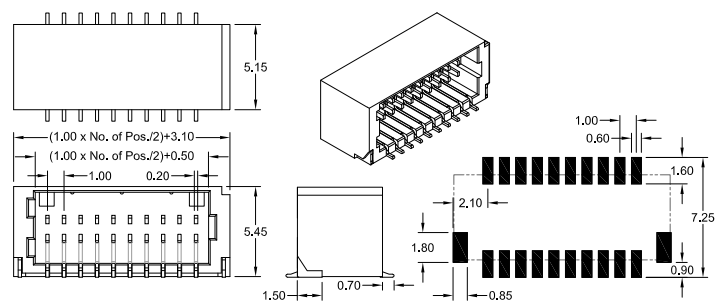
right angle (side entry)



Order Code: CRR-1xx-SL100-99/R

dual row -SMT-

right angle (side entry)



Order Code: CRR-2xx-SL100-99/R

### Specifications

Current rating	1 A	Voltage rating	50 V AC max.	Contact material	Phosphor Bronze
Insulation resistance	100 MΩ min.	Withstanding voltage	500 V AC	Insulator material	PA9T UL 94V-0
Contact resistance	20 mΩ max.	Operating temp.	-25°C to +85°C	CRF Type	PA66 UL 94V-0
		SMT Processing temp.	+250°C for 5 sec.		

### How to order

CR X - x xx - X 100 - 99 / X



Type	Rows	Nbr of Contacts	Execution	Plating	Packing
<b>F</b> = Female	<b>1</b> = single row	<b>02 to 20</b>	<b>L</b> = Plug	<b>99</b> = Tin <i>(leadfree)</i>	<b>R</b> = Reel
<b>R</b> = R/A Male	<b>2</b> = dual row	<b>20, 30, 40 &amp; 50</b>	<b>SL</b> = SMT	<b>95</b> = Tin/Gold <i>(leadfree)</i>	<b>B</b> = Reel with PickUp Cap
<b>S</b> = Straight Male	<i>if Crimp Contact:</i>	<i>if Crimp Contact:</i> <small>(MOQ: 10K / reel)</small>	for details see above dwg's	other platings on request	<b>E</b> = Reel with PickUp Cap
	<b>9</b>	<b>99/35</b> = AWG 28~32			