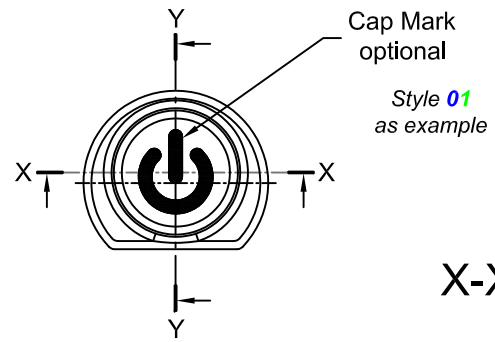


REV.	DESCRIPTION	DATE	DRAWN
A	New	29.11.2018	Ronny
B	general update	10.01.2019	Ronny



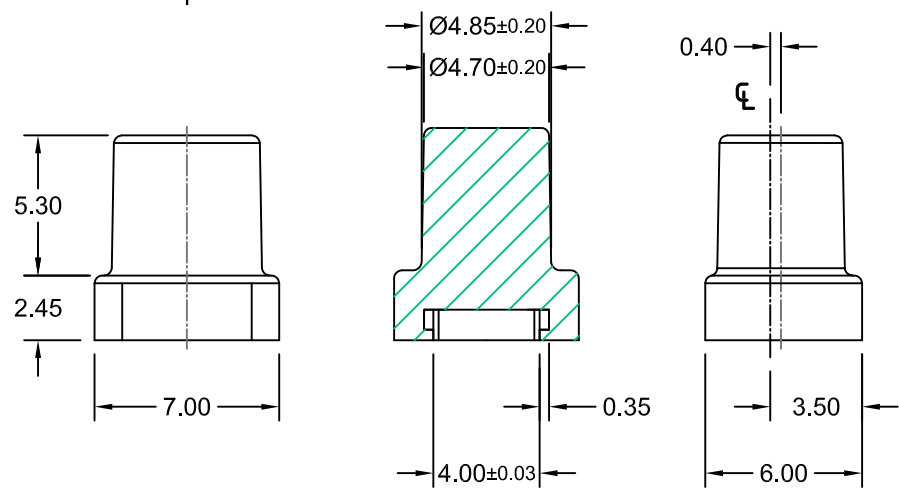
Order Code
TCP-775-81X xx

Cap Color
(Powder coated)

Black = B
Silver = S
Transparent = T

X-X

Y-Y



Cap Mark

1 st	2 nd	0	1	2	3	4	5	6	7	8	9
		NO Mark	Power	Home	Enter	Search	Info	Back	Forward	RESET	BIOS
		U	C	C	U	U	U	RESET	BIOS	BIOS	BIOS
		START	RESET	Reset	clr CMOS	clr CMOS	Turbo				
		↑	←	→	↓	+	-	△	●		



Material
PC (Polycarbonate) UL 94V-0

E-tec 2019 © - all rights reserved



UNIT	GENERAL TOLERANCE		DRAWN	DATE	DWG. NO.	SHEET 2/2
mm	X.° ±	X. ±	Ronny	29.11.2018	TCP-775-81	REV. B
SCALE	.X° ±	.X ±	Hogi	10.01.2019	SERIES NO.	
	.XX° ±	.XX ± 0.05	APPROVE	DATE	TCP-775-81Xxx	
	.XXX° ±	.XXX ±	Hogi	10.01.2019		

Cap
for LED Illuminated
Tactile Switches