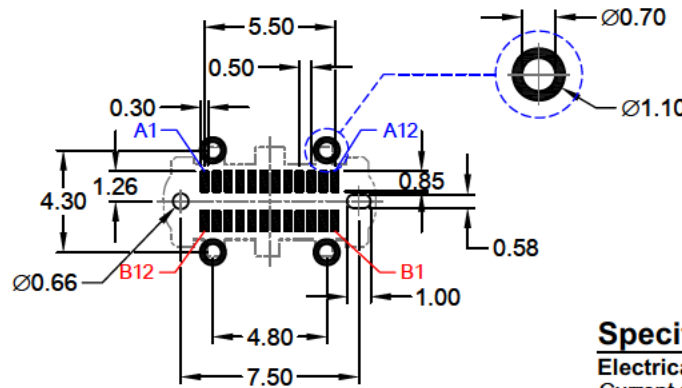
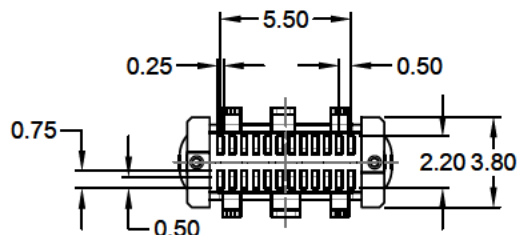
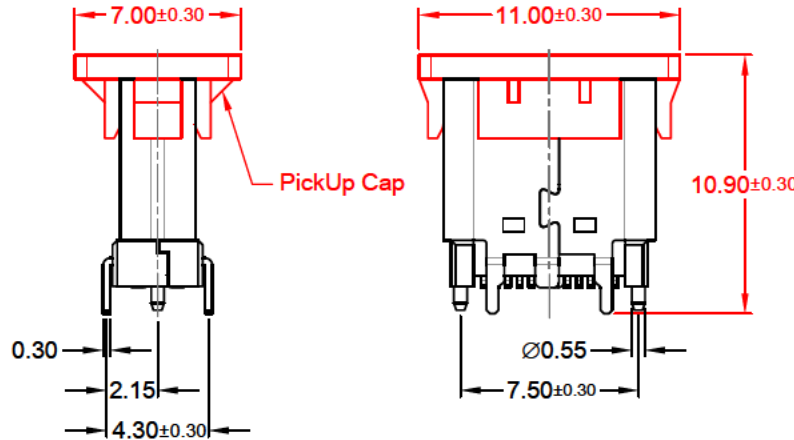
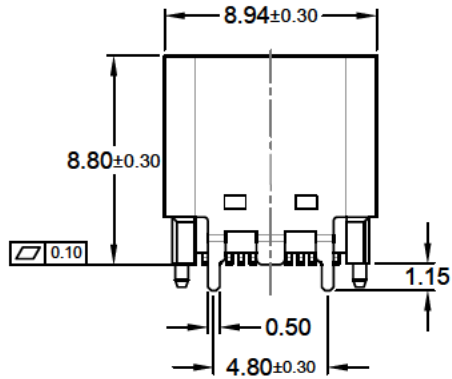
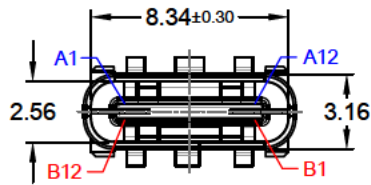


Contact Assignment												
Contact No.	A1	A2	A3	A4	A5	A6	A7	A8	A9	A10	A11	A12
Signal Name	GND	SSTXp1	SSTXn1	VBUS	CC1	Dp1	Dn1	SBU1	VBUS	SSRXn2	SSRXp2	GND
Contact No.	B12	B11	B10	B9	B8	B7	B6	B5	B4	B3	B2	B1
Signal Name	GND	SSRXp1	SSRXn1	VBUS	SBU2	Dn2	Dp2	CC2	VBUS	SSTXn2	SSTXp2	GND

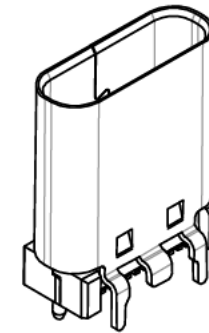
REV.	DESCRIPTION	DATE	DRAWN
A	New	18.07.2022	Cherry



Recommended PCB Layout Top View
(Tolerance ±0.05)

Order Code
UNS-B24/2-UC2C130-9x/B

Plating
95 = Tin/Gold Flash
97 = Tin/15µ" Gold
98 = Tin/30µ" Gold



Material
 Contact: Copper Alloy
 Plating: Sn on solder, Au on contact area
 entire contact Ni underplated
 Shell: SUS; Ni plated
 Insulator: LCP (black) UL 94V-0

Operating temperature: -30°C to +80°C
 Processing temperature: +250°C +0/-5°C
 for 5 seconds

Specifications

Electrical
 Current rating: 3A
 Insulation resistance: 100MΩ min.
 Contact resistance: 40mΩ max.
 Voltage rating: 20V AC rms
 Withstanding voltage: 100V AC

Mechanical Requirements
 Insertion force: 5N min. ~ 20N max.
 Extraction force: 8N max. ~ 20N max.
 Durability: 10,000 cycles

Packing
 Reel: 1000 pcs./reel

E-tec 2022 © - all rights reserved



UNIT	mm	GENERAL TOLERANCE	X° ±	X ±	DRAWN	Cherry	DATE	18.07.2022	DWG. NO.	UNS-B24/2-UC2C130/B	SHEET 1/1
SCALE	Free	.XX° ±	.XX ±	.XX ± 0.20	CHECK	Cheng	DATE	21.07.2022	SERIES NO.	UNS-B24/2-UC2C130-9x/B	REV. A
		.XXX° ±	.XXX ±		APPROVE	Fagi	DATE	21.07.2022			

USB 3.1 Type-C™
 24-Contact Female - SMT
 Vertical Type - Gen 1 5 Gbps