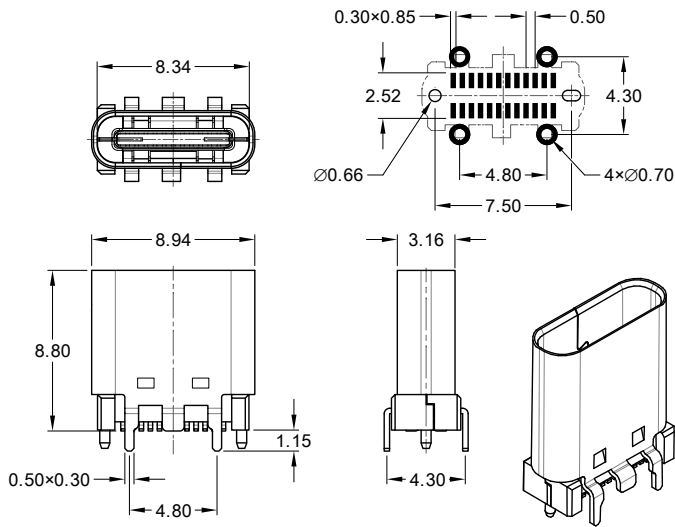


UNS Series USB 3.1 Connector Type C

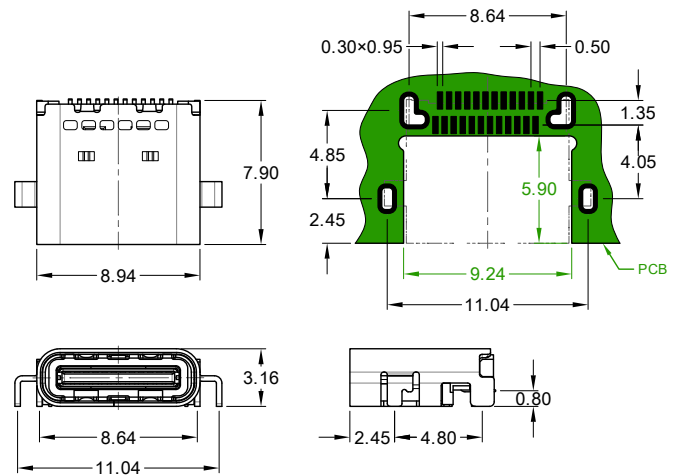


Single port vertical; SMT Type



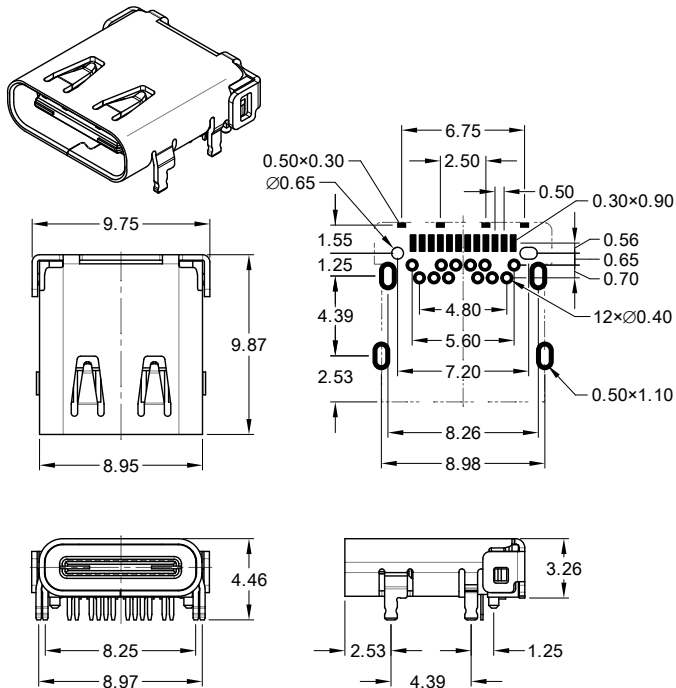
ORDER CODE: **UNS - B24/2 - UC2C130 - 98/B**

Single port right angle; SMT "Embedded" Type



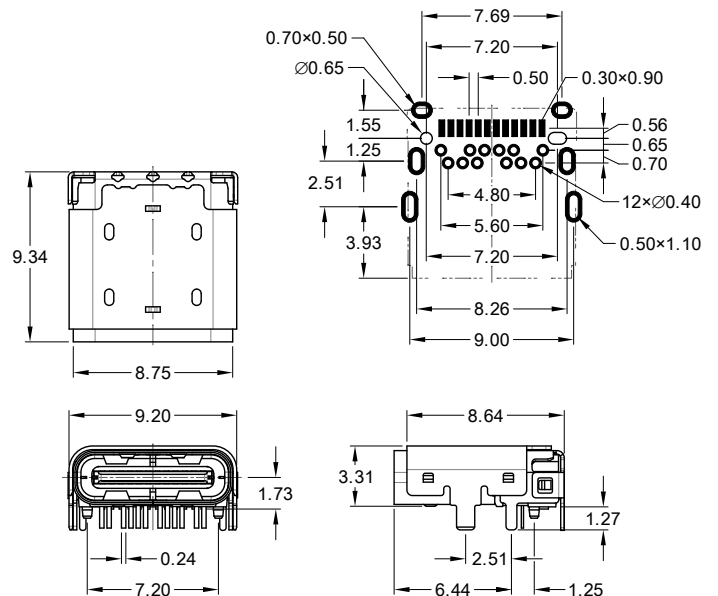
ORDER CODE: **UNS - B24/M - SC1C130 - 98/R**

Single port right angle; SMT/THR "Hybrid" Type



ORDER CODE: **UNS - B24 - SRCC130 - 58/R**

Single port right angle; SMT/THR "Hybrid" Type



ORDER CODE: **UNS - B24 - SRC1C130 - 98/R**

Specification

Material

Contact	Copper alloy
Plating:	
Solder area	Sn (<i>leadfree</i>)
- SRCC130- type	Au flash
Contact area	Au flash/ Au 15 μ " / Au 30 μ " over Ni
Housing	LCP black UL 94-V0
Shell	Stainless Steel, 50 μ " min. Ni plated

Mechanical

Mating cycles	10,000 min.
---------------	-------------

Electrical

Current rating/contact	1.25A max. (VBUS & GND Contacts) 0.25A max. (all other)
Voltage rating	20V AC max.
Withstanding voltage	100V AC
Insulation resistance	100M Ω min.
Contact resistance	40m Ω max.

Others

Operating temperature	-30° C to +80° C
Processing temperature (THR)	+260° C +0/-5° C for 5 seconds