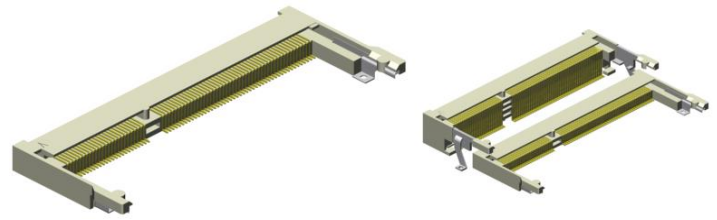


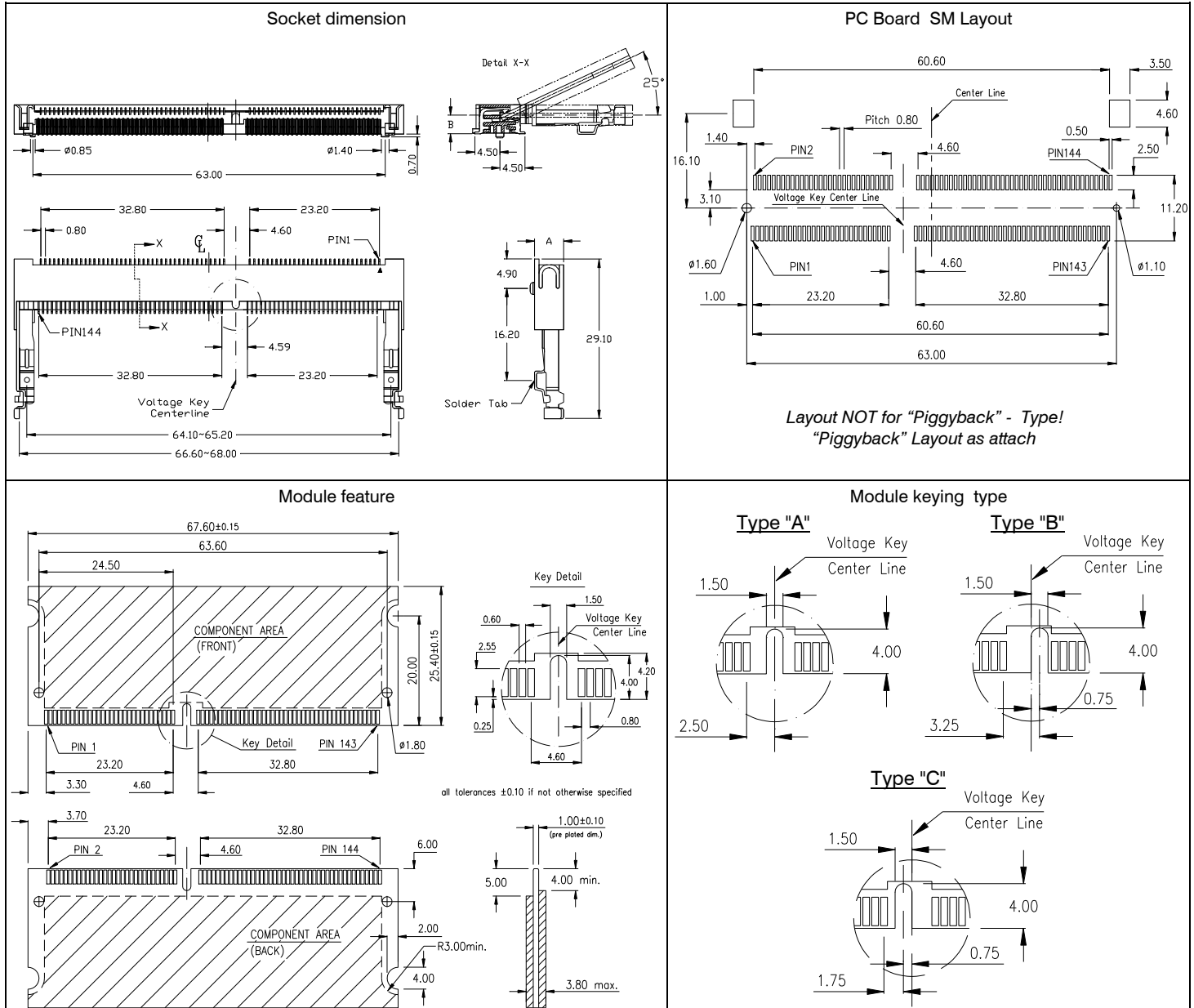
# DMD - Series SO - DIMM Sockets for 144-pin DRAM module



SO-DIMM sockets for **DRAM's** are made of hi-temp resistant plastic.  
Available in three different PC-board distances, also as "Piggyback".  
Insertion & extraction of the module can be made without any tools.  
Positive polarization prevents wrong insertion of the module.  
Contacts are designed with an anti-overstress feature for long contact life.



Piggyback application



Specification	
Current rating	0.3 A
Voltage rating	25 V AC
Insulation resistance	250 MΩ min. (initial) 50 MΩ max. (final)
Contact resistance	35 mΩ max.
Operating temperature	-55°C to +85°C min.
Processing temperature	+250°C 0/-5° for 20~40 sec.
Insulator	(RoHS compliant) high temp plastic (ivory) UL 94 V-0
Contact	(RoHS compliant) Phosphor bronze
Plating	(RoHS compliant) Au over Ni
Lifetime	25 cycles min.
Latch	(RoHS compliant) Stainless Steel, Ni (leadfree) plated

Pin	DRAM Socket Type	Dimension		Ordering Code		
		"A"	"B"	3.3 Volt Key Type "A"	x.x Volt Key Type "B"	5.0 Volt Key Type "C"
144 pin	"Standard" - Profile	5.20 mm	3.30 mm	<b>DMD - 144 - RSA9 - 55</b>		<i>available on request</i>
144 pin	"Piggyback" - Profile <i>Use as Piggyback together with "Standard"-Profile "A" = 5.20 mm height</i>	9.20 mm	7.30 mm	<i>available on request</i>		
144 pin	"Tower" - Profile	9.90 mm	8.00 mm	<i>available on request</i>		