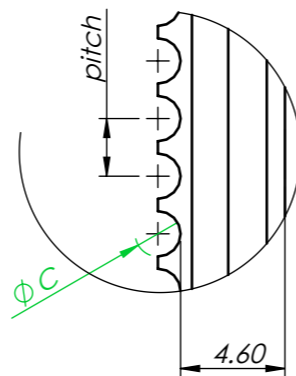
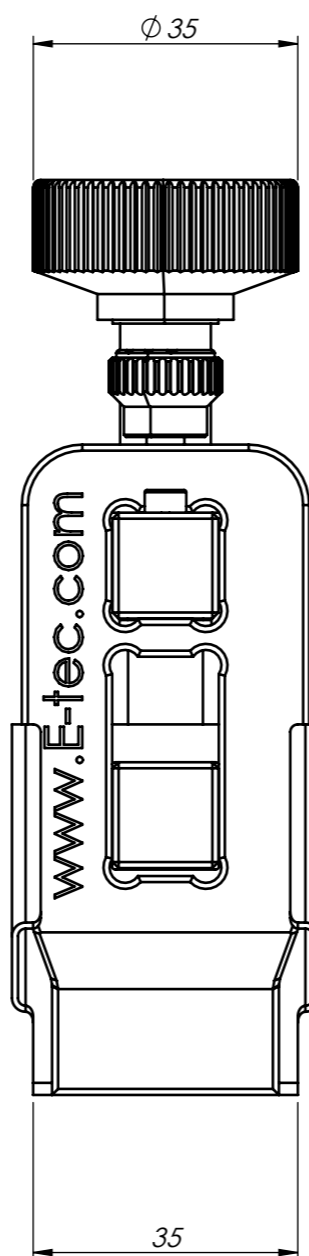
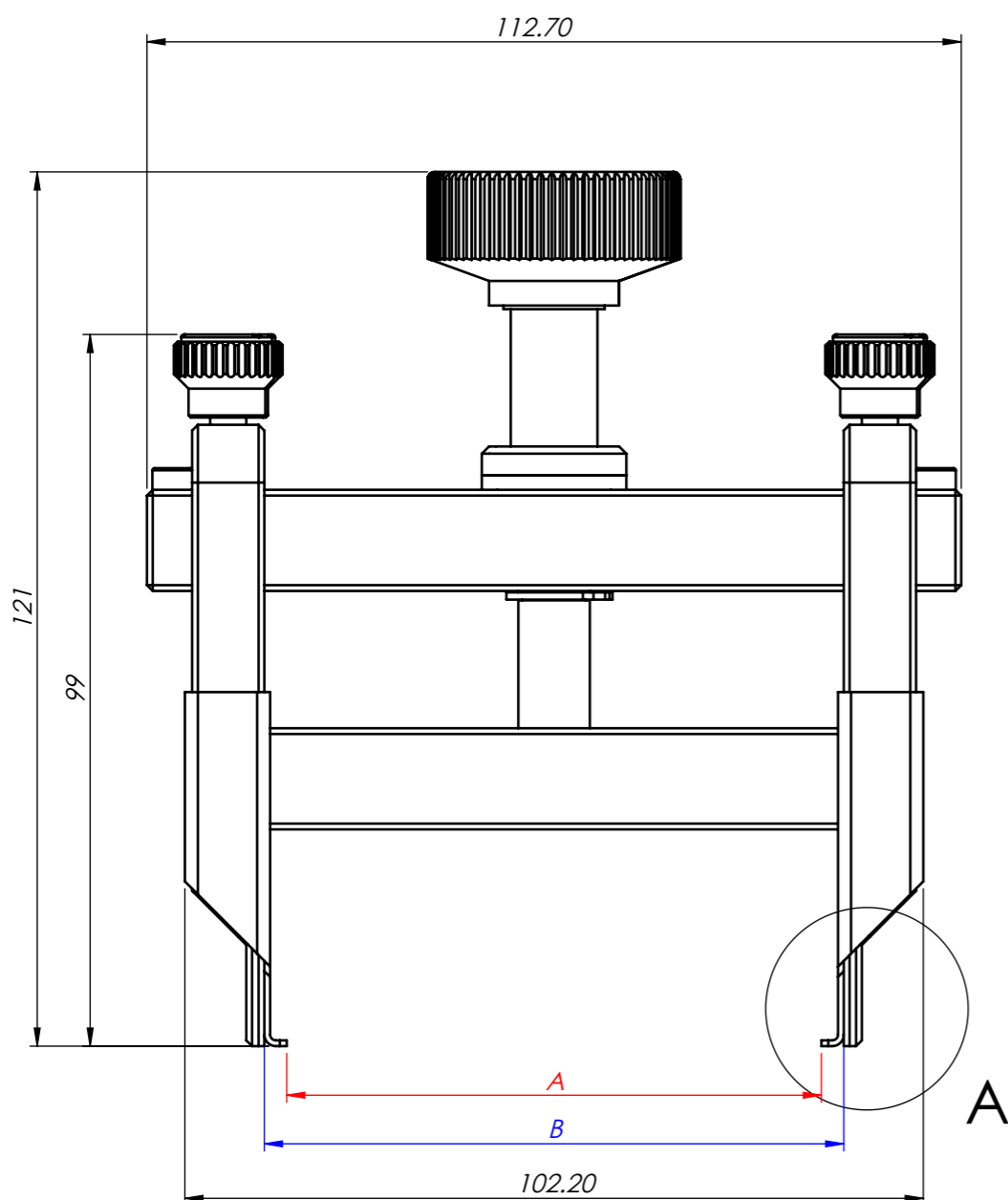
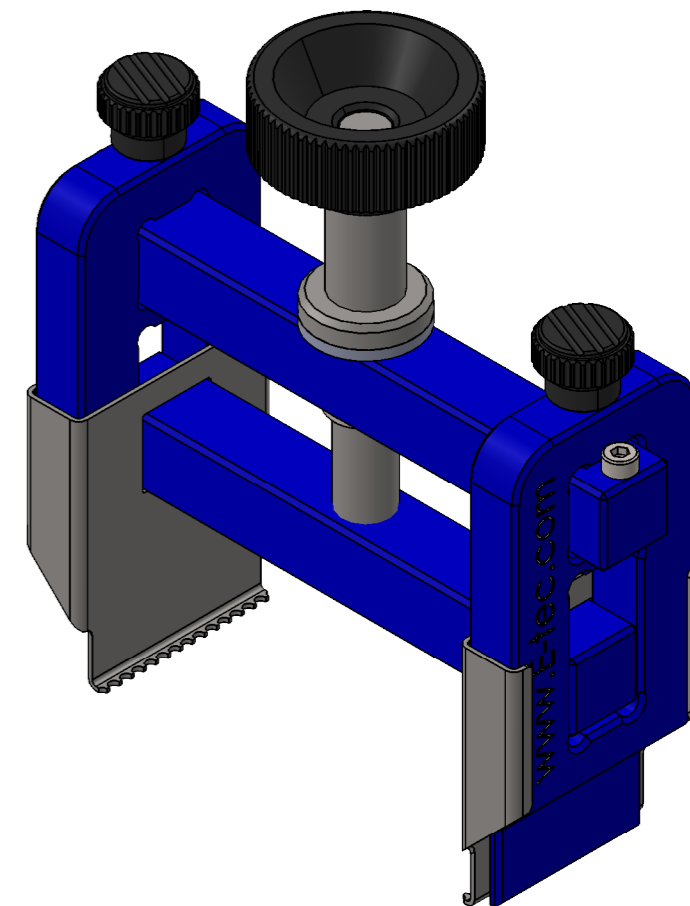
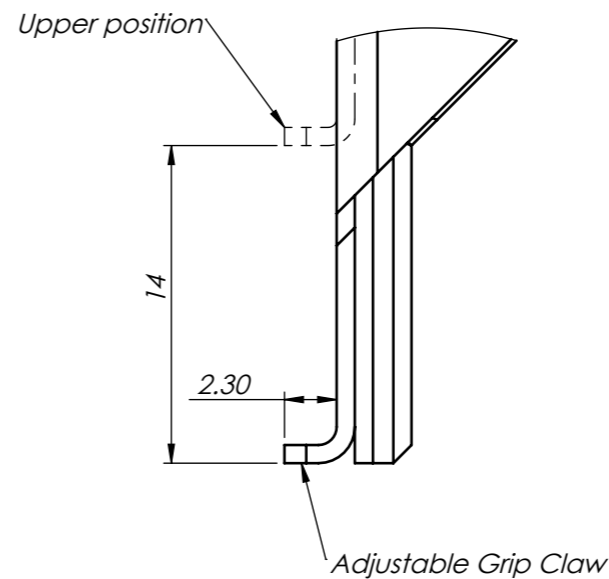


DETAIL B  
SCALE 3 : 1



DETAIL A  
SCALE 3 : 1



### Order Codes

For pitch 1.27/2.54: **PUL-2300-S/12**  
 For pitch 1.00: **PUL-2300-S/10**  
 For pitch 0.80: **PUL-2300-S/08**

Dimension	Min.	Max.
<b>A</b>	13.80mm	74.00mm
<b>B</b>	20.00mm	80.20mm

Dimension	pitch 0.80	pitch 1.00	pitch 1.27/2.54	-
<b>C</b>	0.50mm	0.80mm	1.00mm	-

**A3H** Scale 1:1  
 UNLESS OTHERWISE SPECIFIED:  
 DIMENSIONS ARE IN MILLIMETERS  
 GENERAL TOLERANCES ISO 2768m

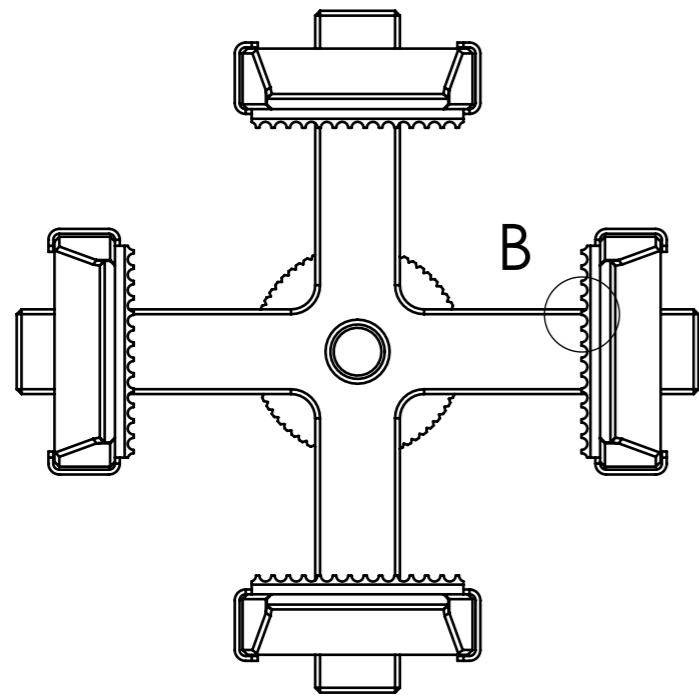
REV 1 modif: Redesign  
 NAME DATE  
 DRAWN pgn 10.01.2018  
 REVD - -  
 CHK'D - -  
 APPV'D sme 18.01.2018

The information contained in this drawing is proprietary to E-tec and shall not be reproduced or disclosed in whole or in part or used for any design or manufacture except where such user possesses direct, written authorization from E-tec

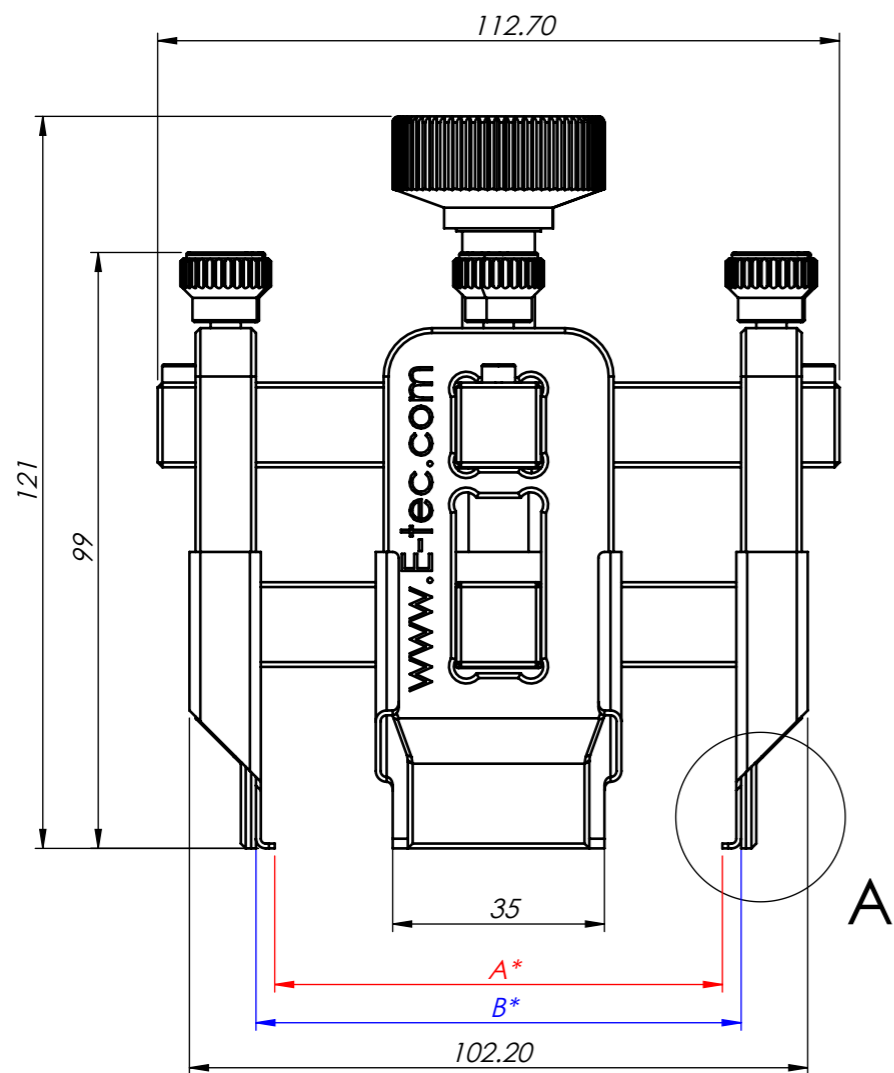
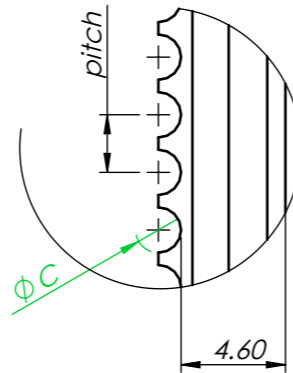
**E-tec** Interconnect  
 Remark: Multirange Extractor Tool with adjustable grip claws on 2 sides for PIN GRID ARRAYS used for PGA Socket Size 13.00mm to 73.00mm

"E-tec order code"  
**PUL-2300-S/XX**

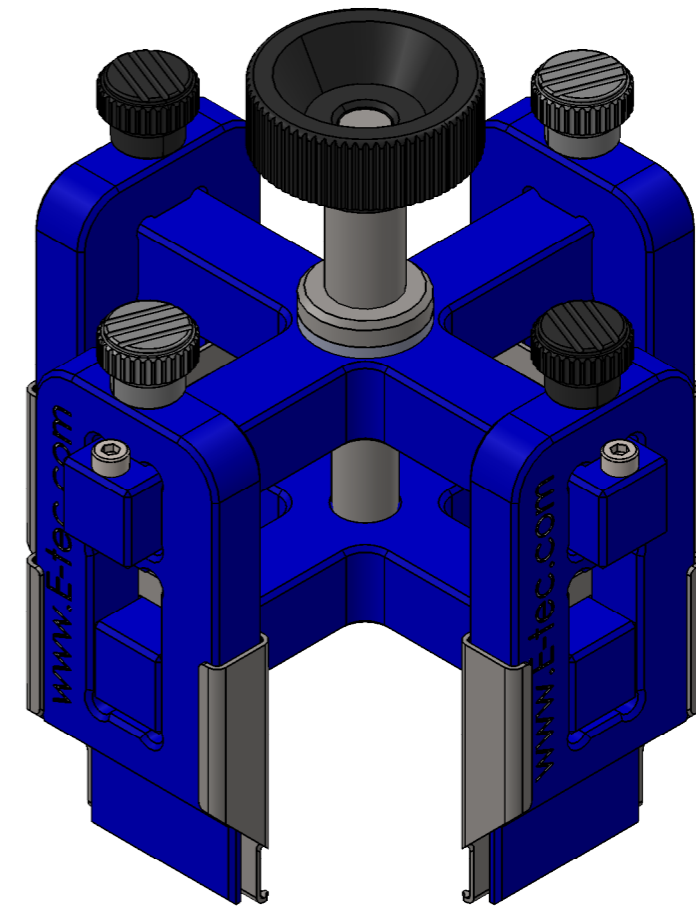
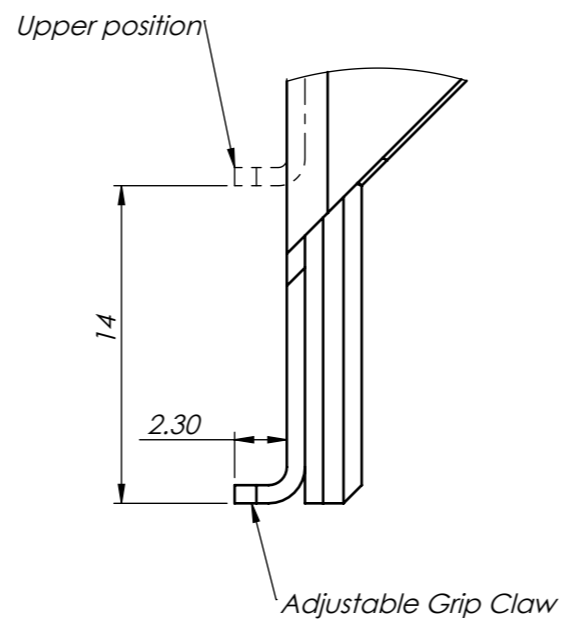
"Production code"



DETAIL B  
SCALE 3 : 1



DETAIL A  
SCALE 3 : 1



### Order Codes

For pitch 1.27/2.54: **PUL-2300-D/12**  
 For pitch 1.00: **PUL-2300-D/10**  
 For pitch 0.80: **PUL-2300-D/08**

Dimension	Min.	Max.
<b>A</b>	34.00mm	74.00mm
<b>B</b>	40.00mm	80.20mm

\*A = 13.80mm to 74.00mm \*B = 20.00mm to 80.20mm if there are only 2 claws in use

Dimension	pitch 0.80	pitch 1.00	pitch 1.27/2.54	-
<b>C</b>	0.50mm	0.80mm	1.00mm	-

**A3H** Scale 0.8:1  
 UNLESS OTHERWISE SPECIFIED:  
 DIMENSIONS ARE IN MILLIMETERS  
 GENERAL TOLERANCES ISO 2768m

REV 1 modif: Redesign  
 NAME DATE  
 DRAWN pgn 17.01.2018  
 REVD - -  
 CHK'D - -  
 APPV'D sme 18.01.2018

The information contained in this drawing is proprietary to E-tec and shall not be reproduced or disclosed in whole or in part or used for any design or manufacture except with the user's authorization from E-tec.

**E-tec**  
 Interconnect

Remark:  
 Multirange Extractor Tool  
 with adjustable grip claws on 4 sides  
 for PIN GRID ARRAYS  
 used for PGA Socket Size  
 33.00mm to 73.00mm

"E-tec order code"  
**PUL-2300-D/XX**

"Production code"