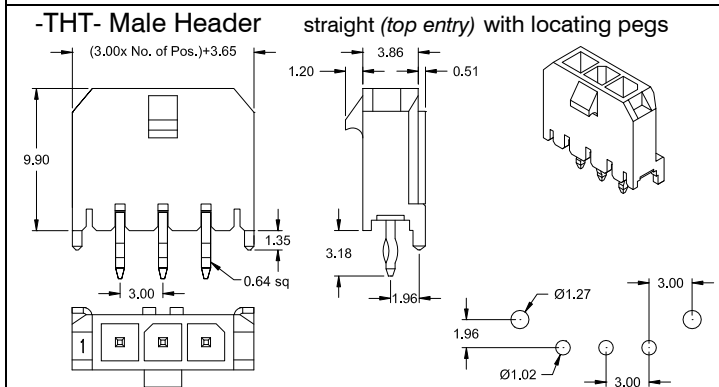
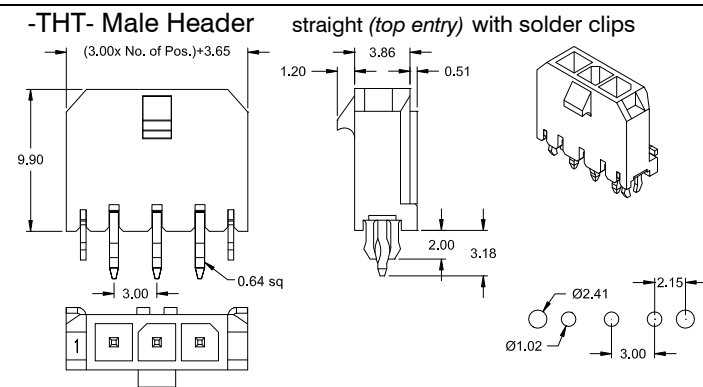




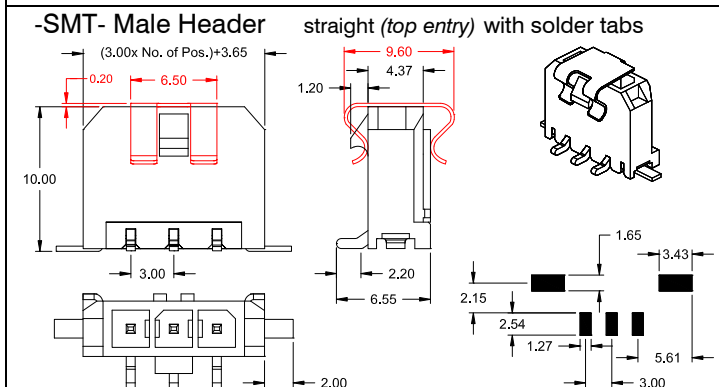
W - Type Single Row fully shrouded with polarity protection



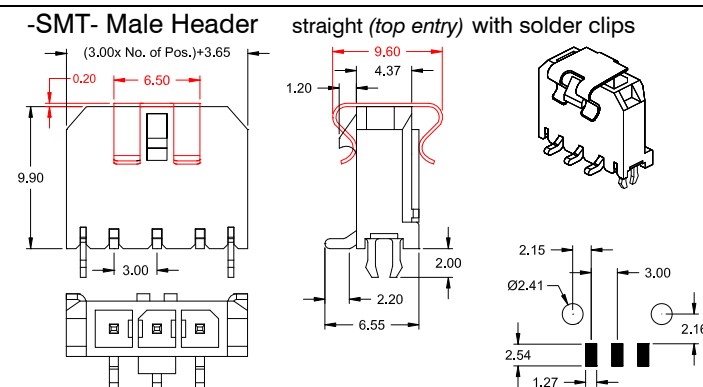
Order Code: **PCS-1xx-W300-99**



Order Code: **PCS-1xx-WC300-99**

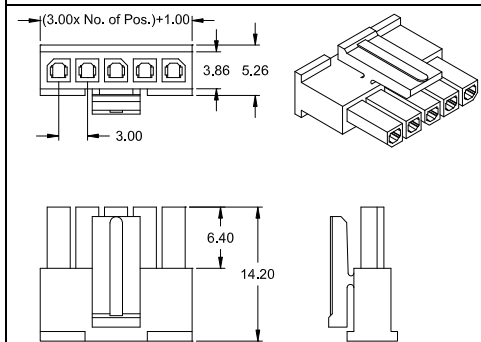


Order Code: **PCS-1xx-SW300-99/B**

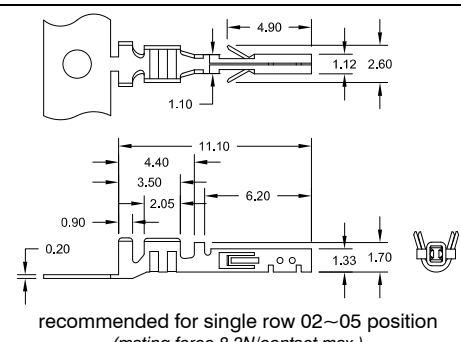


Order Code: **PCS-1xx-SC300-99/XX** (/B = Standard /LB = Option)

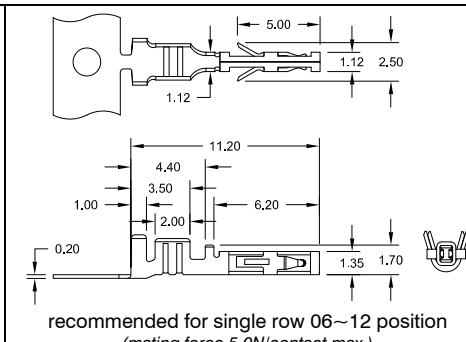
W - Type Female Plug Single Row -Clip lock Type- with polarity protection



Order Code Housing: **PCF-1xx-W300**



Order Code Contact: **PCF-999/xx-W300-99**



Order Code Contact: **PCF-999/xxL-W300-99**

Specifications

Current rating	5 A if AWG 20	Withstanding voltage	1500 V AC	Contact material	Copper Alloy
Insulation resistance	1000 MΩ min.	Operating temp.	-40°C to +105°C	Insulator material	LCP UL 94V-0
Contact resistance	10 mΩ max.	SMT Processing temp.	+250°C for 5 sec.	PCF Plug	PA66 UL 94V-0
Voltage rating	250 V AC max.	PCB thickness			1.60 mm

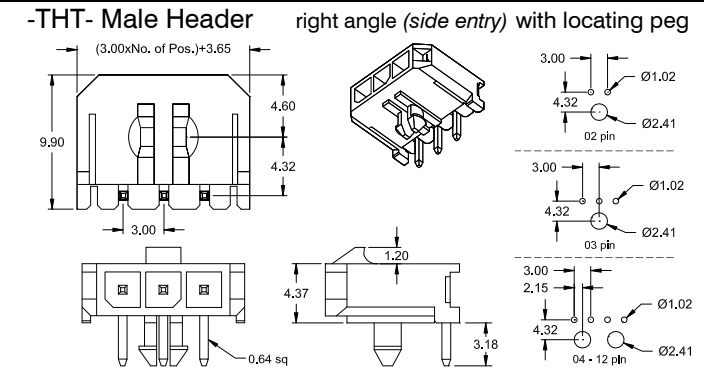
How to order

PC X - x xx - X 300 - 99 / X

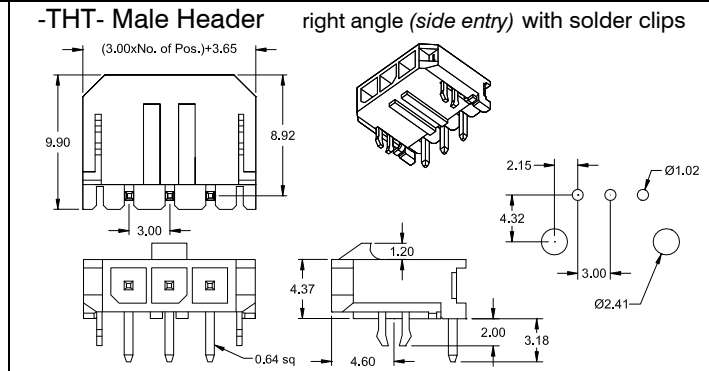
Type	Rows	Nbr of Contacts	Execution	Plating	Option
F = Female R = R/A Male S = Straight Male	1 = single row if Crimp Contact: 9	02 - 12 = W, WC, SW, SC - Type if Crimp Contact: (MOQ: 10K / reel) 99/22 = for AWG 20~24 99/22L = for AWG 20~24 99/32 = for AWG 26~30 99/32L = for AWG 26~30	W = THT & Plug WC = THT SW = SMT SC = SMT for details see above dwg's	99 = Tin (leadfree) other platings on request	B = Reel packing with Pickup Cap -SC300- & -WC300- only: LB = solder clip length 3.20mm; Reel packing with Pickup Cap



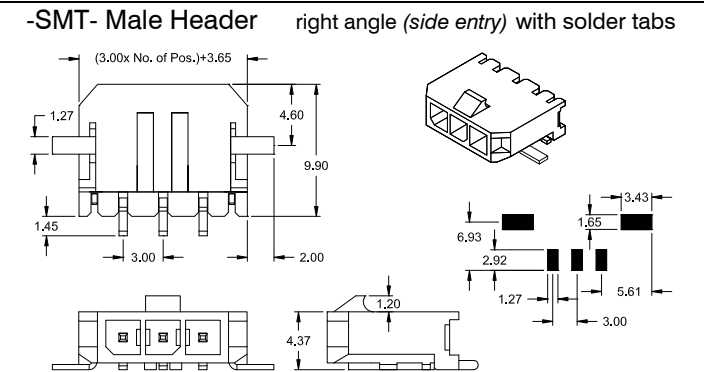
W - Type Single Row fully shrouded with polarity protection



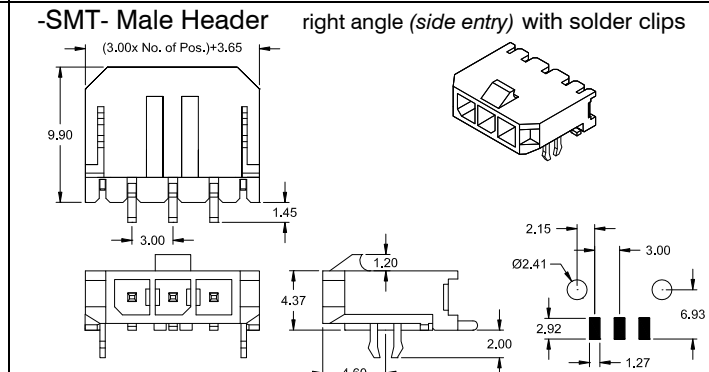
Order Code: **PCR-1xx-W300-99**



Order Code: **PCR-1xx-WC300-99** (/L = Option)

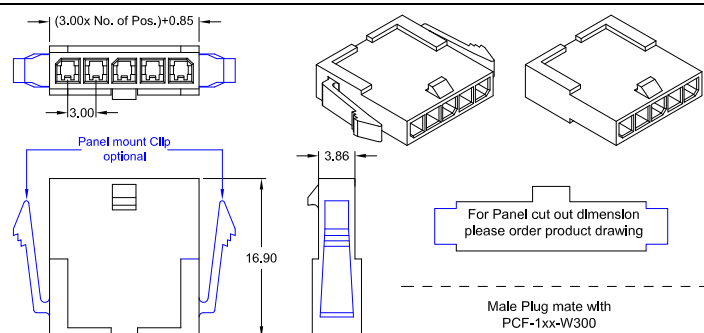


Order Code: **PCR-1xx-SW300-99/R**

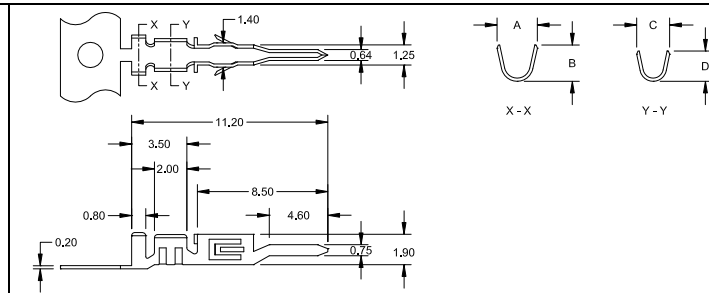


Order Code: **PCR-1xx-SC300-99/X** (/R = Standard /LR = Option)

W - Type Male Plug Single Row -Clip lock Type- with polarity protection



Order Code Housing without Panel mount Clip: **PCM-1xx-WN300**
 Order Code Housing with Panel mount Clip: **PCM-1xx-W300**



Crimp Contact Order Code	Wire range	Dimension mm			
		A	B	C	D
PCM-999/22-W300-99	AWG 20 ~ 24	2.70	2.40	2.10	2.10
PCM-999/32-W300-99	AWG 26 ~ 30	2.40	1.90	1.80	1.60

Specifications

Current rating	5 A if AWG 20	Withstanding voltage	1500 V AC	Contact material	Phosphor Bronze
Insulation resistance	1000 MΩ min.	Operating temp.	-40°C to +105°C	Insulator material	LCP UL 94V-0
Contact resistance	10 mΩ max.	SMT Processing temp.	+250°C for 5 sec.	PCM Type	PA66 UL 94V-0
Voltage rating	250 V AC max.			PCB thickness	1.60 mm

How to order

PC X - x xx - X 300 - 99 / X

Type	Rows	Nbr of Contacts	Execution	Plating	Option
M = Male R = R/A Male S = Straight Male	1 = single row if Crimp Contact: 9	02 to 12 if Crimp Contact: (MOQ: 10K / reel) 99/22 = for AWG 20~24 99/32 = for AWG 26~30	W = THT & Plug WC = THT WN = Plug SC = SMT SW = SMT for details see above dwg's	99 = Tin (leadfree) other platings on request	R = Reel packing -SC300- & -WC300- only: L = solder clip length 3.20mm



W - Type Dual Row fully shrouded with polarity protection

<p>-THT- Male Header straight (top entry)</p> <p>Order Code: PCS-2xx-W300-99</p>	<p>-THT- Male Header right angle (side entry)</p> <p>Order Code: PCR-2xx-W300-99</p>
--	--

<p>-SMT- Male Header straight (top entry) with solder tabs</p> <p>Order Code: PCS-2xx-SW300-99/B</p>	<p>-SMT- Male Header straight (top entry) with solder clips</p> <p>Order Code: PCS-2xx-SC300-99/XX (/B = Standard /LB = Option)</p>
--	---

W - Type Female Plug Dual Row -Clip lock Type- with polarity protection

<p>Order Code Housing: PCF-2xx-W300</p>	<p>recommended for dual row 02~10 position (mating force 8,2N/contact max.)</p> <p>Order Code Contact: PCF-999/xx-W300-99</p>	<p>recommended for dual row 12~24 position (mating force 5,0N/contact max.)</p> <p>Order Code Contact: PCF-999/xxL-W300-99</p>
--	--	---

Specifications

Current rating	5 A if AWG #20	Withstanding voltage	1500 V AC	Contact material	Copper Alloy
Insulation resistance	1000 MΩ min.	Operating temp.	-40°C to +105°C	Insulator material	PCF PA66 UL 94V-0
Contact resistance	10 mΩ max.	SMT Processing temp.	+250°C for 5 sec.	PCS & PCR	PA9T UL 94V-0
Voltage rating	250 V AC max.			SW & SC Type	LCP UL 94V-0
				PCB thickness	1.60 mm

How to order

PC X - x xx - X 300 - 99 / X

<p>Type</p> <p>F = Female R = R/A Male S = Straight Male</p>	<p>Rows</p> <p>2 = dual row <i>if Crimp Contact:</i> 9</p>	<p>Nbr of Contacts</p> <p>02 - 24 = W, SW, SC - Type <i>if Crimp Contact:</i> (MOQ: 10K / reel) 99/22 = for AWG 20~24 99/22L = for AWG 20~24 99/32 = for AWG 26~30 99/32L = for AWG 26~30</p>	<p>Execution</p> <p>W = THT & Plug SW = SMT SC = SMT for details see above dwg's</p>	<p>Plating</p> <p>99 = Tin (leadfree) other platings on request</p>	<p>Option</p> <p>B = Reel packing with PickUp Cap <i>PCS-2xx-SC300-99/XX only:</i> LB = solder clip length 3.20mm; Reel packing with PickUp Cap</p>
--	---	---	--	---	--



W - Type Dual Row fully shrouded with polarity protection

-SMT- Male Header right angle (side entry) with solder tabs

Order Code: **PCR-2xx-SW300-99/R**

-SMT- Male Header right angle (side entry) with solder clips

Order Code: **PCR-2xx-SC300-99/X** (/R = Standard /LR = Option)

W - Type Male Plug Dual Row -Clip lock Type- with polarity protection

Order Code Housing without Panel mount Clip: **PCM-2xx-WN300**
 Order Code Housing with Panel mount Clip: **PCM-2xx-W300**

Crimp Contact Order Code	Wire range	Dimension mm			
		A	B	C	D
PCM-999/22-W300-99	AWG 20 ~ 24	2.70	2.40	2.10	2.10
PCM-999/32-W300-99	AWG 26 ~ 30	2.40	1.90	1.80	1.60

Specifications

Current rating	5 A if AWG 20	Withstanding voltage	1500 V AC	Contact material	Phosphor Bronze
Insulation resistance	1000 MΩ min.	Operating temp.	-40°C to +105°C	Insulator material	LCP UL 94V-0
Contact resistance	10 mΩ max.	SMT Processing temp.	+250°C for 5 sec.	PCM Type	PA66 UL 94V-0
Voltage rating	250 V AC max.	PCB thickness			1.60 mm

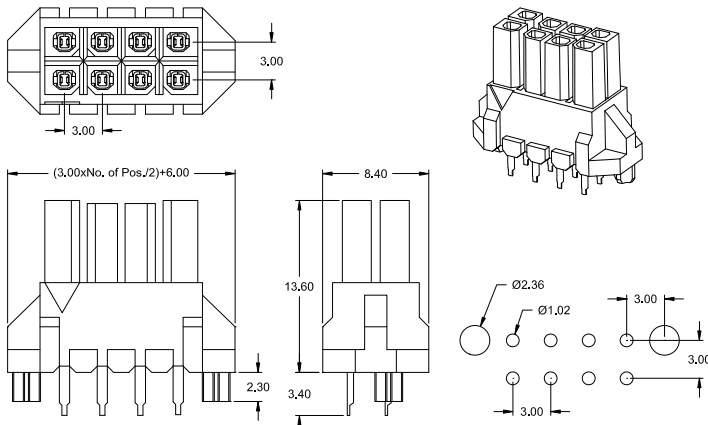
How to order

PC X - x xx - X 300 - 99 / X

Type	Rows	Nbr of Contacts	Execution	Plating	Option
M = Male R = R/A Male	2 = dual row if Crimp Contact: 9	04 to 24 if Crimp Contact: (MOQ: 10K / reel) 99/22 = for AWG 20~24 99/32 = for AWG 26~30	W = Plug WN = Plug SC = SMT SW = SMT for details see above dwg's	99 = Tin (leadfree) other platings on request	R = Reel packing PCR-2xx-SC300-99/X only: L = solder clip length 3.20mm

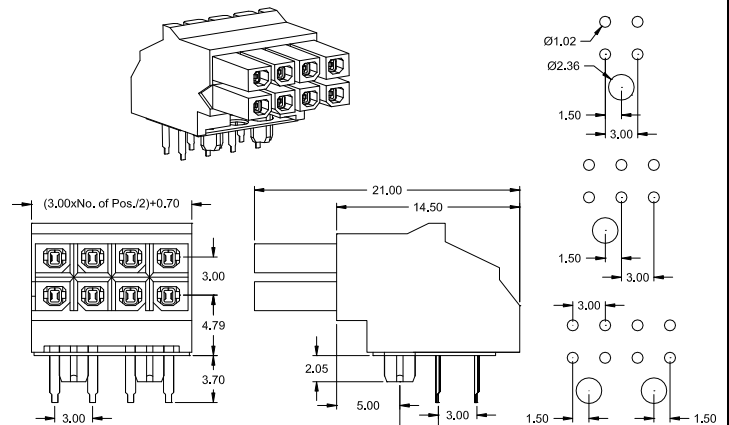
BF - Type Female Plug Dual Row with polarity protection

-THT- straight



Order Code: **PCS-2xx-BF300-99**

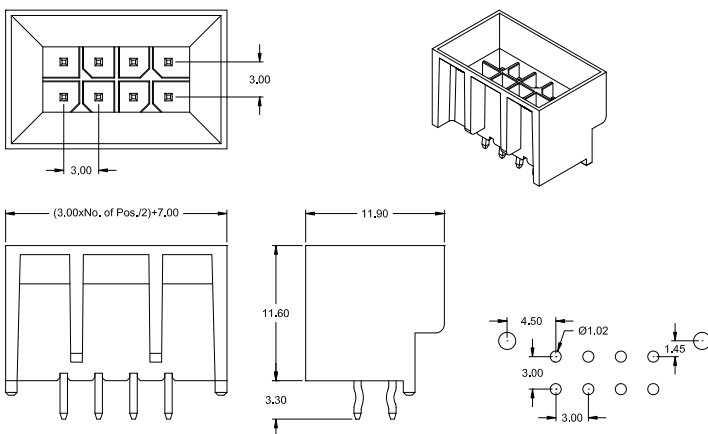
-THT- right angle



Order Code: **PCR-2xx-BF300-99**

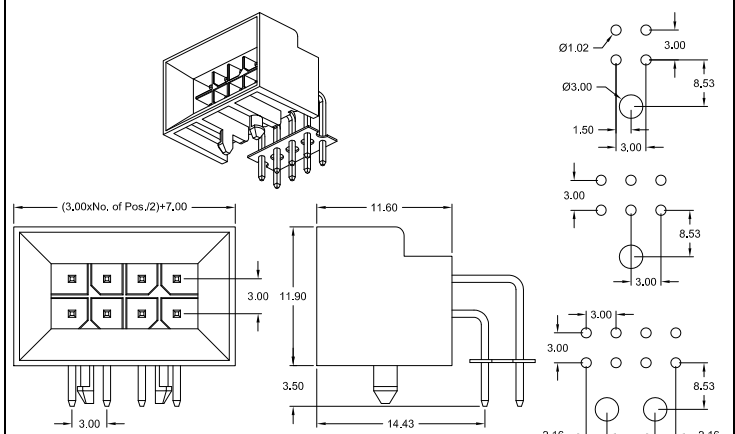
BM - Type Male Header Dual Row fully shrouded with polarity protection

-THT- straight (top entry)



Order Code: **PCS-2xx-BM300-99**

-THT- right angle (side entry)



Order Code: **PCR-2xx-BM300-99**

Specification

Current rating	5 A	Voltage rating	250 V AC max.	Contact material	Copper alloy
Insulation resistance	1000 MΩ min.	Withstanding voltage	1500 V AC	Insulator material	LCP UL 94V-0
Contact resistance	10 mΩ max.	Operating temp.	-40°C to +105°C	PCB thickness	1.60 mm

How to order

PC X - 2 xx - XX 300 - 99

