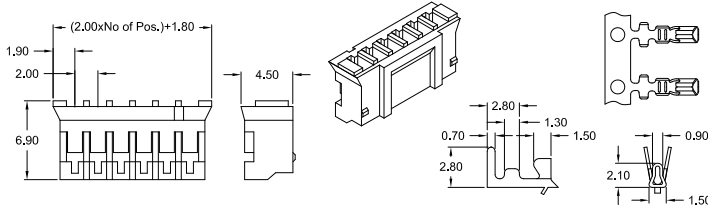


# 2.00mm Wire to Board Crimp Contact Connectors



## O - Type Single Row

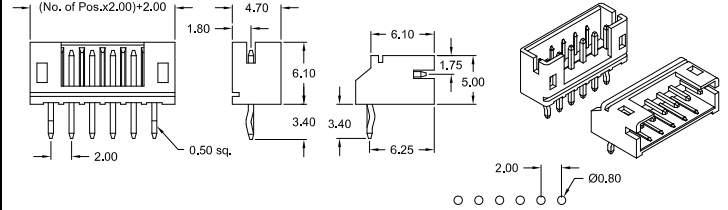
### Female Plug



Order Code Housing: CRF-1xx-O200

Contact: CRF-999/30-O200-99

### -THT- Male Header straight (top entry) & right angle (side entry)

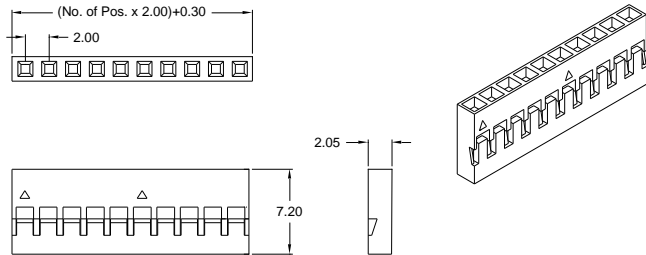


Order Code straight: CRS-1xx-O200-99

right angle: CRR-1xx-O200-99

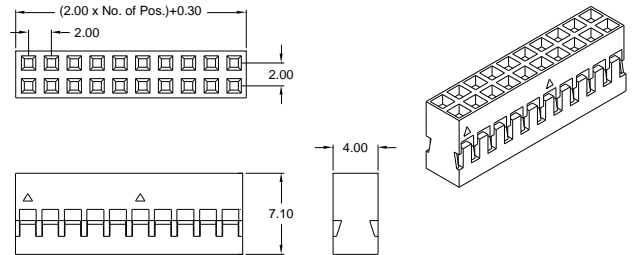
## H - Type Wire to Board Plugs mating with 2.00mm pitch Pin-Header

### single row



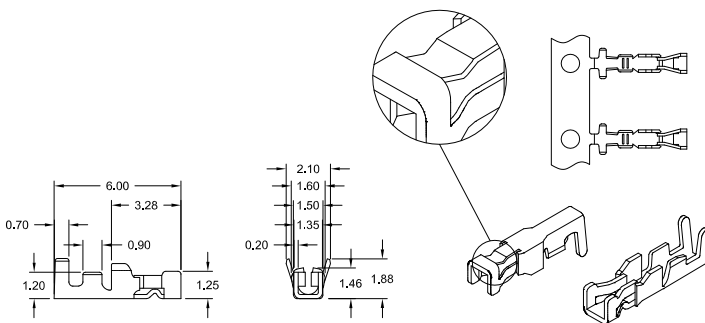
Order Code Housing: CRF-1xx-H200

### dual row



Order Code Housing: CRF-2xx-H200

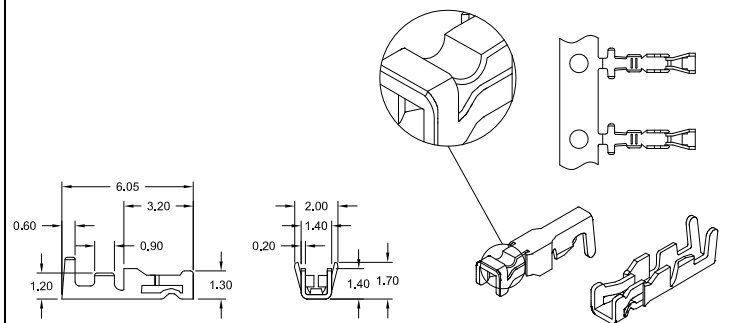
## Female Contact



for single row 02 ~ 19 & dual row 04 ~ 18 position

Order Code: CRF-999L/32-H200-55

MOQ 10K / reel



for single row 20 ~ 40 & dual row 20 ~ 80 position

Order Code: CRF-999/32-H200-55

MOQ 10K / reel

## Specifications

Current rating	2 A	Voltage rating	100 V AC max.	Contact material	Copper Alloy
Insulation resistance	1000 MΩ min.	Withstanding voltage	800 V AC	Insulator material	PA66 UL 94V-0
Contact resistance	20 mΩ max.	Operating temperature	-25°C to +85°C	H-Type	PA66 UL 94V-2
				PCB thickness	1.60 mm

## How to order

CR X - x xx - X 200 - 99

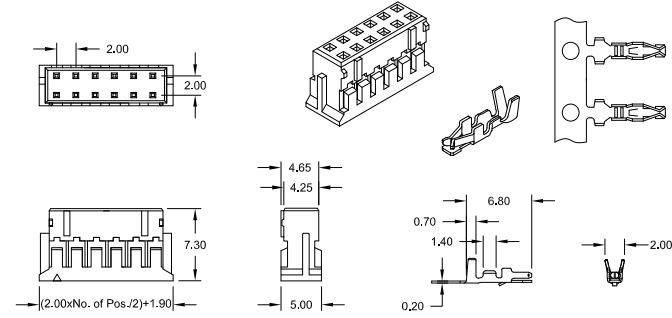
Type	Rows	Nbr of Contacts	Execution	Plating
<b>F</b> = Female	<b>1</b> = single row	<b>02 - 16</b> = O - Type	<b>O</b> = THT & Plug	<b>99</b> = Tin <i>(leadfree)</i>
<b>R</b> = R/A Male	<b>2</b> = dual row	<b>02 - 40</b> = H - Type - 1 row	<b>H</b> = Plug	<b>55</b> = Gold
<b>S</b> = Straight Male	<i>if Crimp Contact:</i> <b>9</b>	<i>if Crimp Contact for O-Type:</i> <b>99/30</b> = for AWG 24~30	for details see above dwg's	other platings on request
		<i>if Crimp Contact for H-Type:</i> <b>99L/32</b> = for AWG 26~30 <b>99/32</b> = for AWG 26~30		

# 2.00mm Wire to Board Crimp Contact Connectors



## D - Type Dual Row

### Female Plug

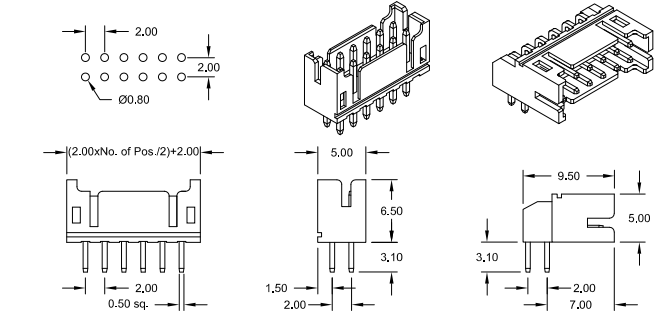


Order Code Housing: CRF-2xx-D200

Contact: CRF-999/27-DP200-99

### -THT- Male Header

straight (top entry) & right angle (side entry)

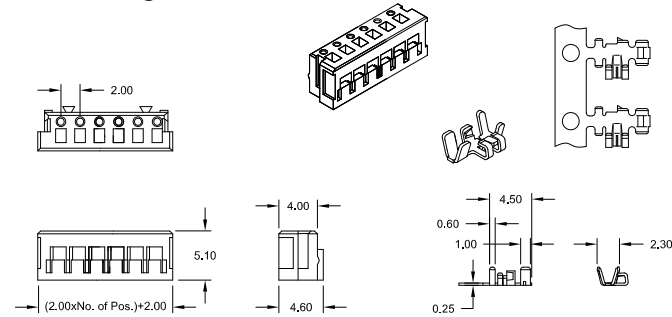


Order Code straight: CRS-2xx-D200-99

right angle: CRR-2xx-D200-99

## C - Type Single Row

### Female Plug

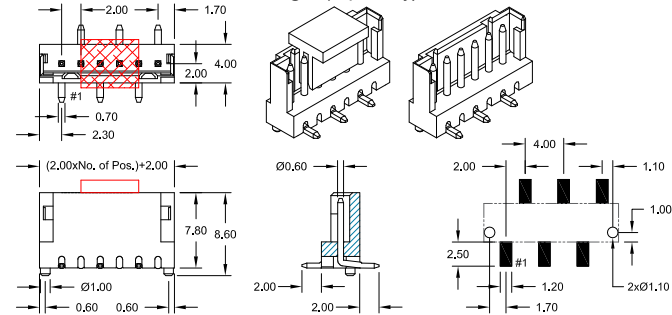


Order Code housing: CRF-1xx-C200

contact: CRF-999/29-C200-99

### -SMT- Male Header

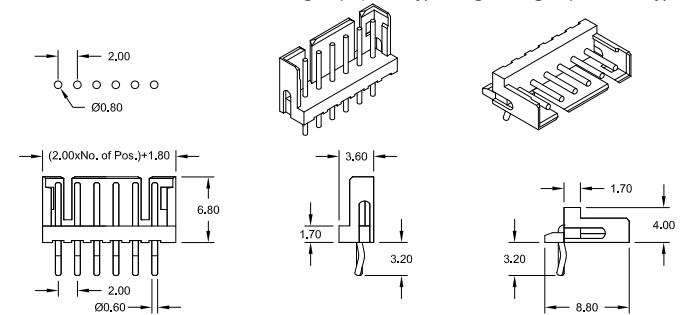
straight (top entry)



Order Code straight: CRS-1xx-SC200-99/X

### -THT- Male Header

straight (top entry) & right angle (side entry)



Order Code straight: CRS-1xx-C200-99

right angle: CRR-1xx-C200-99

### Specifications

Current rating	2 A	Withstanding voltage	800 V AC	Contact material	Brass; DP = PhBz
Insulation resistance	1000 MΩ min.	Operating temperature	-25°C to +85°C	Insulator material	PA66 UL 94V-0
Contact resistance	20 mΩ max.	SC200 Type	-25°C to +105°C	SC200 Type	PA9T UL 94V-0
Voltage rating	100 V AC max.	SMT Processing temp.	+250°C for 5 sec.	PCB thickness	1.60 mm

### How to order

CR X - x xx - X 200 - 99 / X

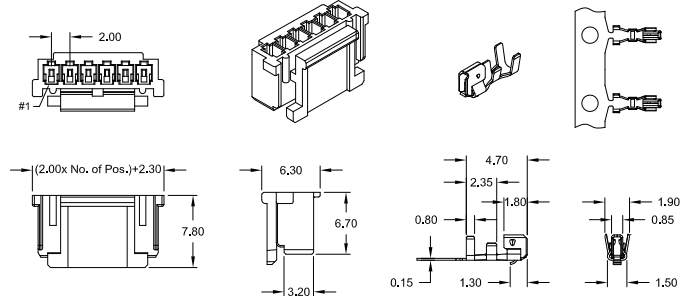
Type	Rows	Nbr of Contacts	Execution	Plating	Packing
<b>F</b> = Female <b>R</b> = R/A Male <b>S</b> = Straight Male	<b>1</b> = single row <b>2</b> = dual row  <i>if Crimp Contact:</i> <b>9</b>	<b>04 - 40</b> = D - Type <b>02 - 16</b> = C - Type <b>03 - 06</b> = SC - Type  <i>if Crimp Contact: (MOQ: 10K / reel)</i> <b>99/27</b> = AWG 22~28 <b>99/29</b> = AWG 24~28	<b>D</b> = THT & Plug <b>DP</b> <i>see Contact Material</i> <b>C</b> = THT & Plug <b>SC</b> = SMT for details see above dwg's	<b>99</b> = Tin <i>(leadfree)</i>  other platings on request	<b>A</b> = Tube with Pickup Cap <b>B</b> = Reel with Pickup Cap

# 2.00mm Wire to Board Crimp Contact Connectors



## K - Type Single Row

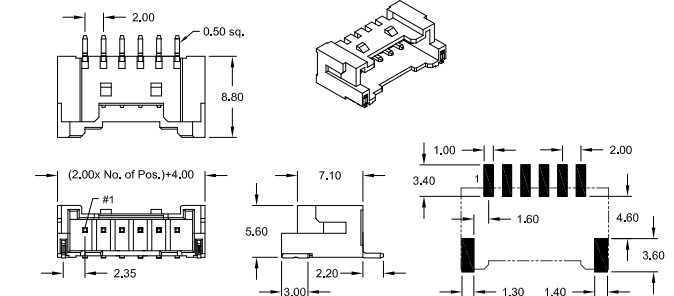
female plug



Order Code housing: CRF-1xx-K200

contact: CRF-999/30-K200-99

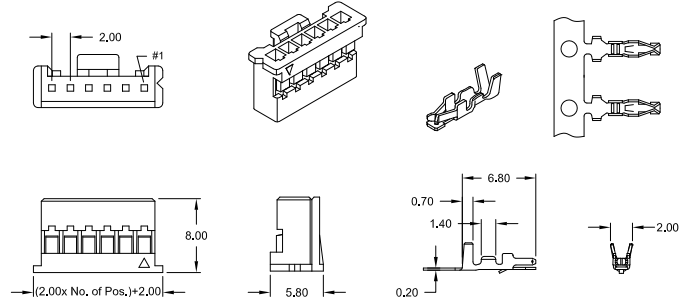
-SMT- male header right angle (side entry)



Order Code right angle: CRR-1xx-SK200-xx/X

## P - Type Single Row

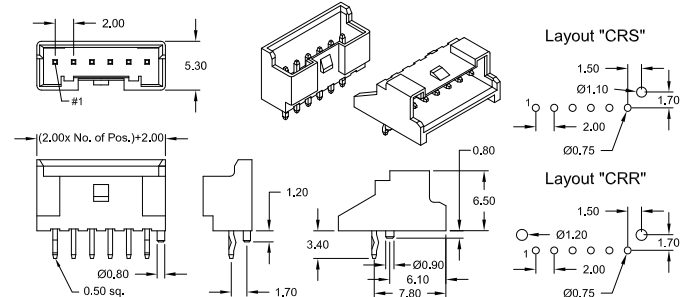
female plug



Order Code housing: CRF-1xx-P200

contact: CRF-999/27-DP200-xx

-THT- male header straight (top entry) & right angle (side entry)

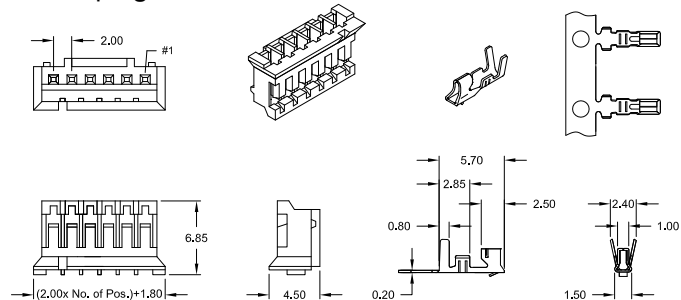


Order Code straight: CRS-1xx-P200-99/P

right angle: CRR-1xx-P200-xx/P

## SH - Type Single Row

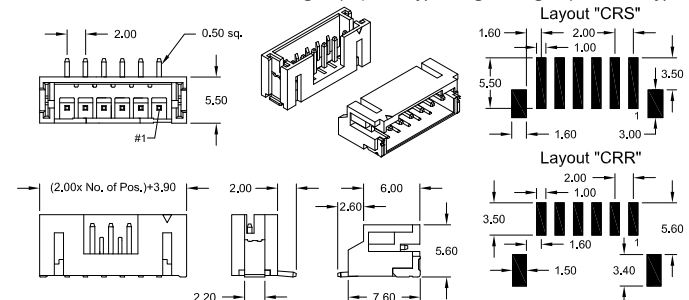
female plug



Order Code housing: CRF-1xx-SH200

contact: CRF-999/30-SH200-99

-SMT- male header straight (top entry) & right angle (side entry)



Order Code straight: CRS-1xx-SH200-99/X

right angle: CRR-1xx-SH200-99/X

### Specification

Current rating	2 A	Operating temperature	-25°C to +85°C	Contact material	Copper Alloy
Insulation resistance	1000 MΩ min.	if PA6T	-40°C to +105°C	Insulator material	all UL 94 V-0
Contact resistance	20 mΩ max.	SMT Processing temp.	+250°C for 5 sec.	CRF-P; K & SH	PA66
Voltage rating	250 V AC max.			CRS- & CRR-P	PBT
Withstanding voltage	800 V AC			CRS-SH; CRR-SH	PA6T SK = PA9T

### How to order

CR X - x xx - X 200 - xx /X

Type	Rows	Nbr of contacts	Execution	Plating	Packing
<b>F</b> = Female <b>R</b> = R/A male <b>S</b> = Straight male	<b>1</b> = single row  <i>if Crimp Contact:</i> <b>9</b>	<b>04 - 20</b> = K - Type <b>02 - 15</b> = P - Type <b>02 - 16</b> = SH - Type  <i>if Crimp Contact: (MOQ: 10K / reel)</i> <b>99/27</b> = AWG 22~28 <b>99/30</b> = AWG 24~30	<b>K</b> <b>P</b> <b>SH</b> <b>SK</b> <b>DP</b>  for details see above dwg's	<b>99</b> = Tin <i>(leadfree)</i> <b>55</b> = Gold  other platings on request	<i>only if SMT Type</i> <b>/B</b> = Reel with Pickup Cap <b>/R</b> = Reel w/o Pickup Cap