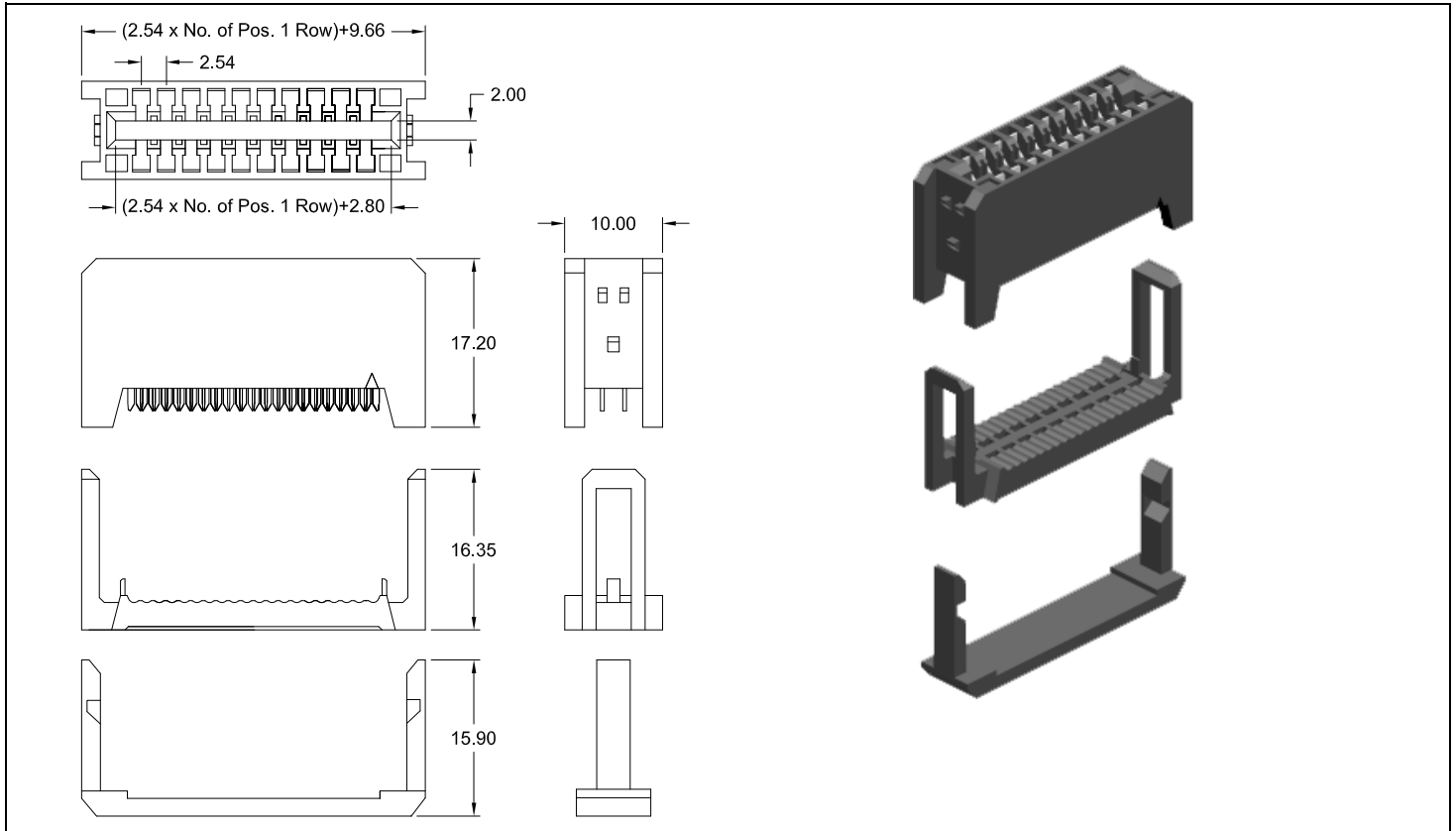


IDC – Card Edge Connector

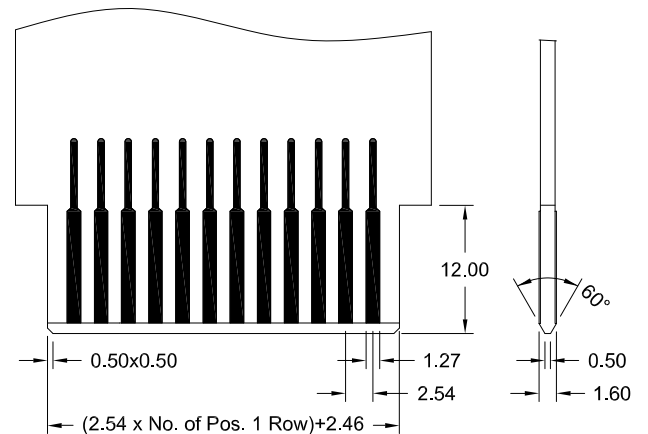
2.54mm pitch



Specifications

Current rating	1 A
Insulation resistance	1000 MΩ min.
Contact resistance	20 mΩ max.
Withstanding voltage	500 V AC
Operating temperature	- 40°C to +105°C
Contact material (RoHS compliant)	Brass
Insulator material (RoHS compliant)	PBT UL 94 V-0

Recommended PCB dimensions



Application and Features

- Hi-rel dual beam contact for reliable PCB connections.
- Accepts PCB thickness of 1.37 to 1.78mm.
- Insulation displacement termination for 1.27mm flat cable AWG #28 or AWG #30 solid.

How to order

IDC - xxx - X 100 - N5

Nbr of contacts
010; 014; 016
020; 026; 034
040; 050

Strain relief
S = with
W = without

Plating
N5
Nickel in IDC & Gold in contact area
other platings on request