

Plug-Board Connector - SMT -

0.50mm - 0.60mm - 0.80mm Pitch

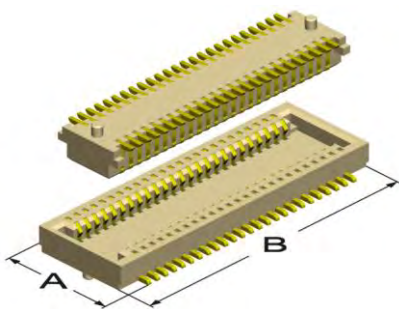


- Fine pitch, super low profile, from 1.50mm to 9.50mm between the boards
- The stamped, solid contacts assure reliable PC Board connections
- Tube or Reel packing available
- Also available with "locating pegs" for easy positioning of the connector during placement
- Some types can also be offered with metal solder tabs, which provide additional mechanical strength to avoid damages to the solder joints during disconnection of the male & female connectors.

Please inform us of your application and precise requirements, so that our product engineers may offer you a suitable solution.

Please indicate your dimensional requirements for the
 0.50mm 0.60mm 0.80mm pitch
 „Plug-Board“ connector.
 Solutions **without** metal solder tabs,
 but with & without locating pegs.

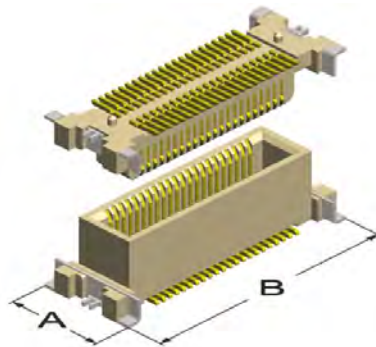
Number of contacts in total



Dimension „A“ (max.):
 Dimension „B“ (max.):

Please indicate your dimensional requirements for the
 0.50mm 0.60mm 0.80mm pitch
 „Plug-Board“ connector.
 Solutions **with** metal solder tabs,
 but with & without locating pegs.

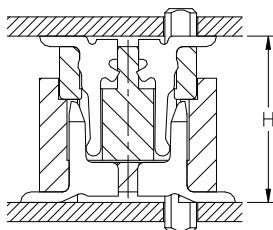
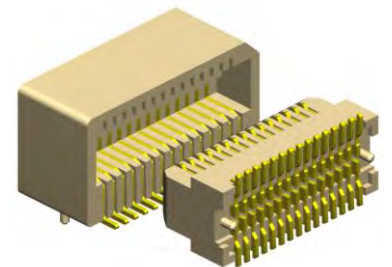
Number of contacts in total



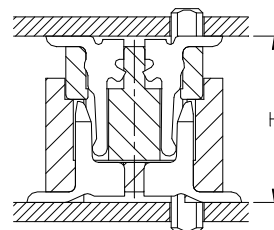
Dimension „A“ (max.):
 Dimension „B“ (max.):

Please indicate your dimensional requirements for the
 0.50mm 0.60mm 0.80mm pitch
 right angle type „Plug-Board“ connector.
 Solutions **without** metal solder tabs,
 but with & without locating pegs.

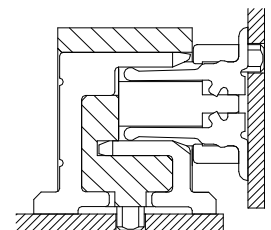
Number of contacts in total



Your board-to-board requirement
 Dimension „H“:
 Do you wish to receive this connector
 with or without locating peg?



Your board-to-board requirement
 Dimension „H“:
 Do you wish to receive this connector
 with or without locating peg?



Do you wish to receive this connector
 with or without locating peg?

In addition, please also provide the following information:

For which application do you intend to use our fine pitch „Plug Board“ Connector?

.....

Please indicate your quantity requirement for „prototypes“ and „production“

Please also indicate the expected „life time“ of your project

Your Company Name & Address:

Your Name, Phone, FAX & e-mail

Please FAX this page to the nearest E-tec sales office and we will get back to you as soon as possible with a solution adapted to your needs.

Specifications for E-tec fine pitch Plug Board Connectors

Current rating	0,3 A	Operating temperature	-45°C to +125°C
Insulation resistance	500 MΩ min. at 100 V DC	Processing temperature	+230°C for 60 sec. max. +260°C for 10 sec. max.
Contact resistance	50 mΩ max. at 100 mA	Contact material	Phosphor Bronze
Withstanding voltage	150 V AC 1 minute	Insulator material	Hi Temp Plastic UL 94 V-0