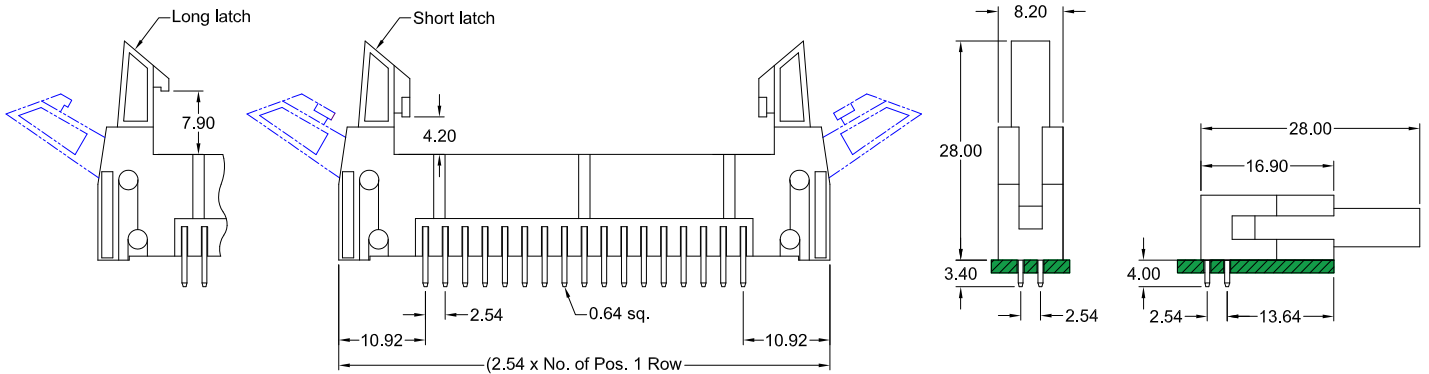
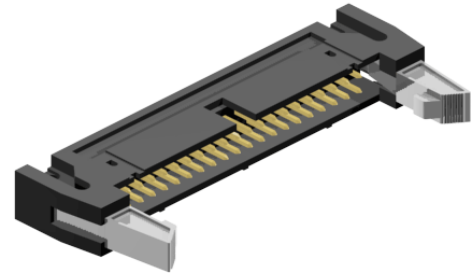
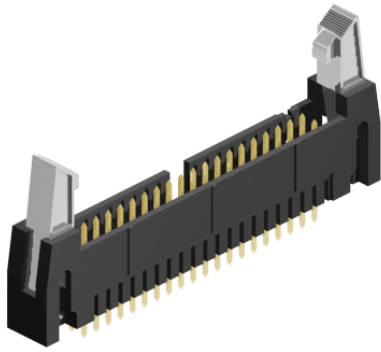


2.54mm pitch

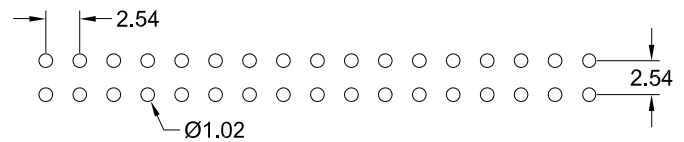
- THT - DIN Header (DIN 41651)



Application and Features

- Provides fast connection / disconnection of IDC connectors.
- Assures reliable flat cable to PC - board assembly.
- Optional latching features available.
- SMT & Press-Fit Type available on request.

PCB Hole Layout



Specifications

Current rating	3 A
Insulation resistance	1000 MΩ min.
Withstanding voltage	500 V AC

Operating temperature	- 40°C to +105°C
Contact material	(RoHS compliant) Brass
Insulator material	(RoHS compliant) PBT UL 94 V-0 black colour

How to order

DH X - xxx - X 100 - 55

