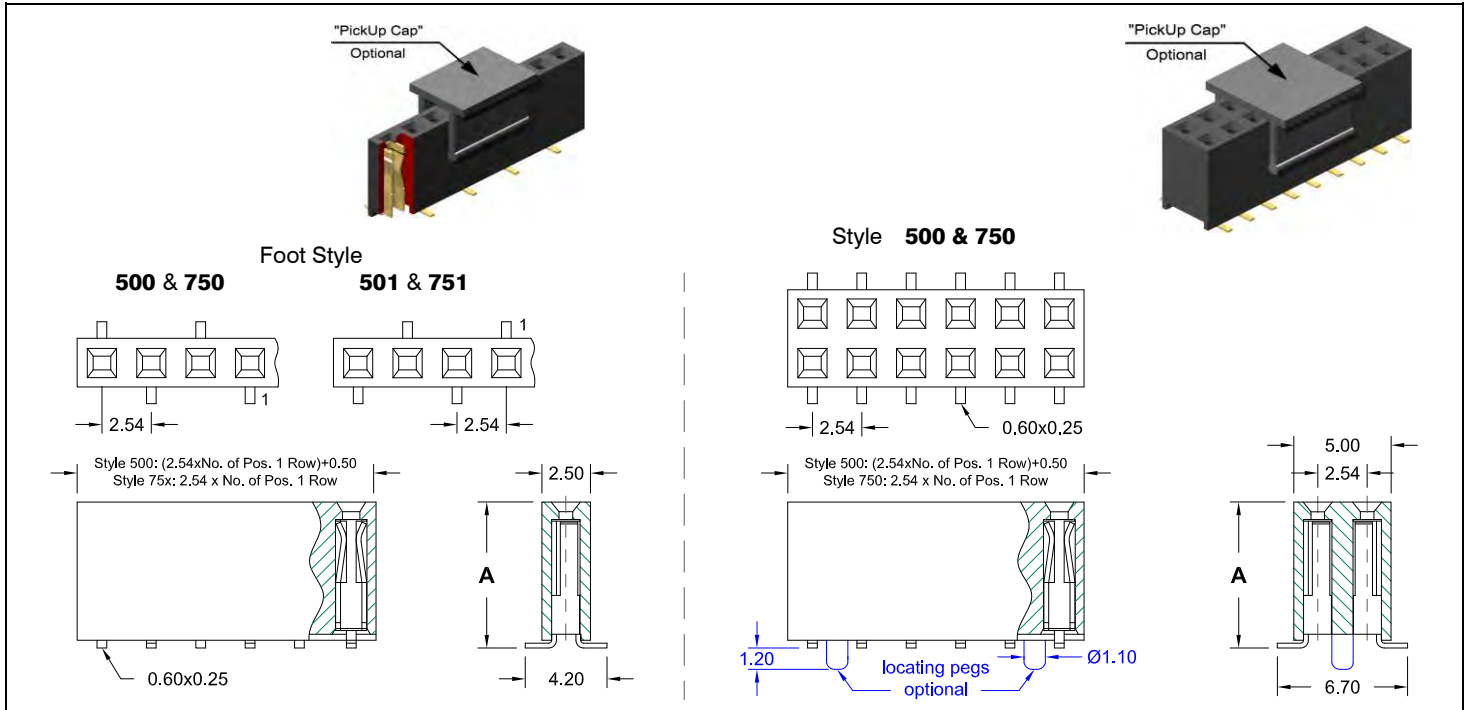
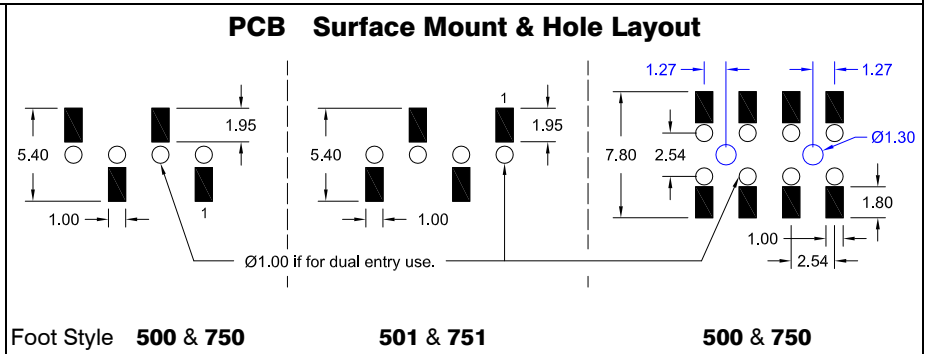


2.54mm pitch Female Header - SMT - Top & Bottom Entry 7.50mm & 5.00mm profile



- ### Application and Features
- **Standard: Tube packing and without "PickUp cap"**
 - 5.00mm & 7.50mm height above board. Hi-rel dual beam contacts.
 - Mating with 2.54mm pitch, 0.64mm sq. or round Pin Headers.



Specifications

Current rating	3 A	Operating temperature	-40° C to +105°C
Insulation resistance	1000 MΩ min.	Processing temperature	+250°C +0/-5°C for 5sec.
Contact resistance	20 mΩ max.	Contact material	Phosphor Bronze (RoHS compliant)
Withstanding voltage	500 V AC	Insulator material	PA6T UL 94 V-0 (RoHS compliant)

How to order

BS x - xxx - H xxx - 55/ X

Rows	Nbr of contacts	Style	Plating	Options
1 single row	002 to 040	500 DIM "A" = 5.00 mm	55 = Gold other platings on request	A = Tube packing; with „PickUp Cap“ B = Reel packing; with „PickUp Cap“ <hr/> without "locating pegs" A = Tube packing; with „PickUp Cap“ B = Reel packing; with „PickUp Cap“ <hr/> with "locating pegs" C = Tube packing; without „PickUp Cap“ D = Tube packing; with „PickUp Cap“ E = Reel packing; with „PickUp Cap“
		501 (optional foot Style)		
2 dual row	004 to 080	750 DIM "A" = 7.50 mm		
		751 (optional foot Style) Pls. choose 500 or 750 Style if odd pin count		