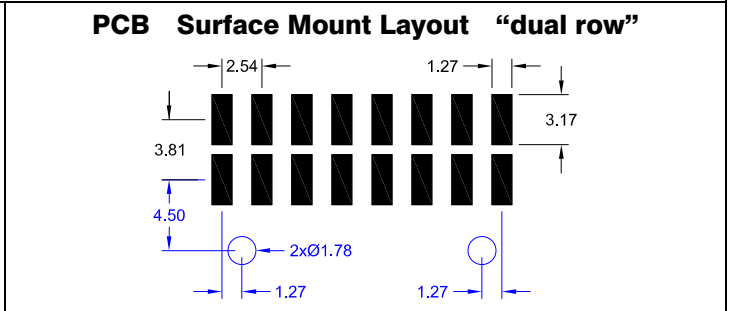
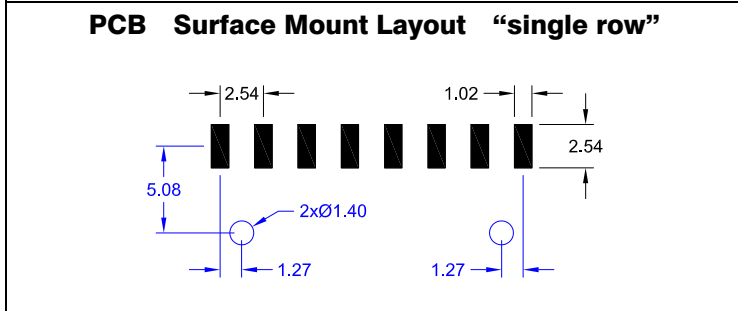
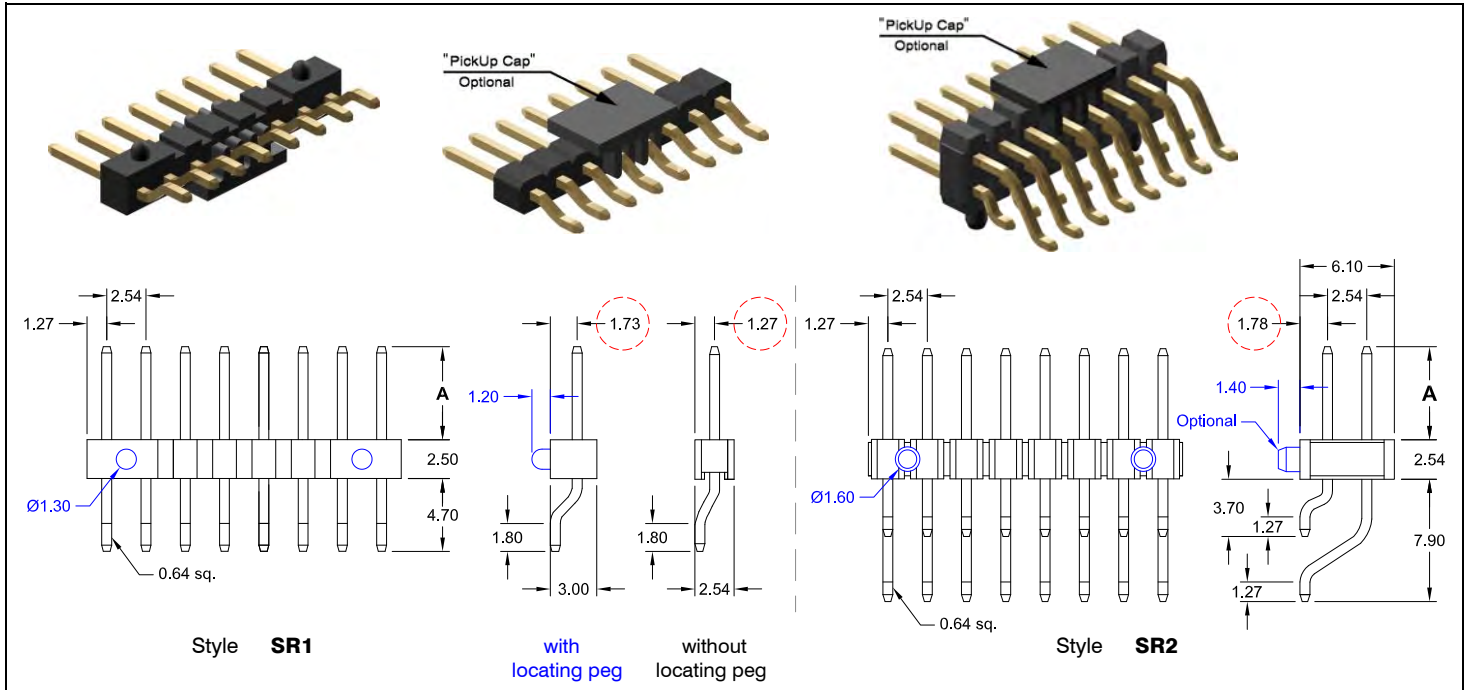


2.54mm pitch Pin Header - slanted -
- SMT - single and dual row



Specifications

Current rating	3 A
Insulation resistance	1000 MΩ min.
Withstanding voltage	500 V AC

Operating temperature	- 40°C to +105°C
Processing temperature	+250°C +5/-0°C for 5sec.
Contact material	(RoHS compliant) Copper alloy
Insulator material	(RoHS compliant) SR1 = PA6T UL 94 V-0 SR2 = LCP UL 94 V-0

How to order

SR **x** - **xxx** - H **xxx/xx** - **xx** **X**

Rows	Nbr of pins	Pin code	DIM "A"	Plating	Options (standard: Tube packing and w/o PickUp Cap)
1 single row	without locating pegs 002 to 040	135/00	3.00 mm	55 = Gold 95 = Tin/Gold <i>(tin leadfree)</i> other platings on request	without "locating pegs" A = Tube packing; with „PickUp Cap“ B = Reel packing; with „PickUp Cap“
	with locating pegs 003 to 030	135/01	3.60 mm		with "locating pegs" C = Tube packing; without „PickUp Cap“ D = Tube packing; with „PickUp Cap“ E = Reel packing; with „PickUp Cap“
2 dual row	006 to 080	135/02	6.00 mm		
		135/03	6.80 mm		
		135/04	7.20 mm		
		135/05	7.40 mm		
		135/06	10.70 mm		
		135/07	10.40 mm		
		135/08	5.85 mm		
		135/09	8.15 mm		
		135/10	10.00 mm		
		other dimensions on request			