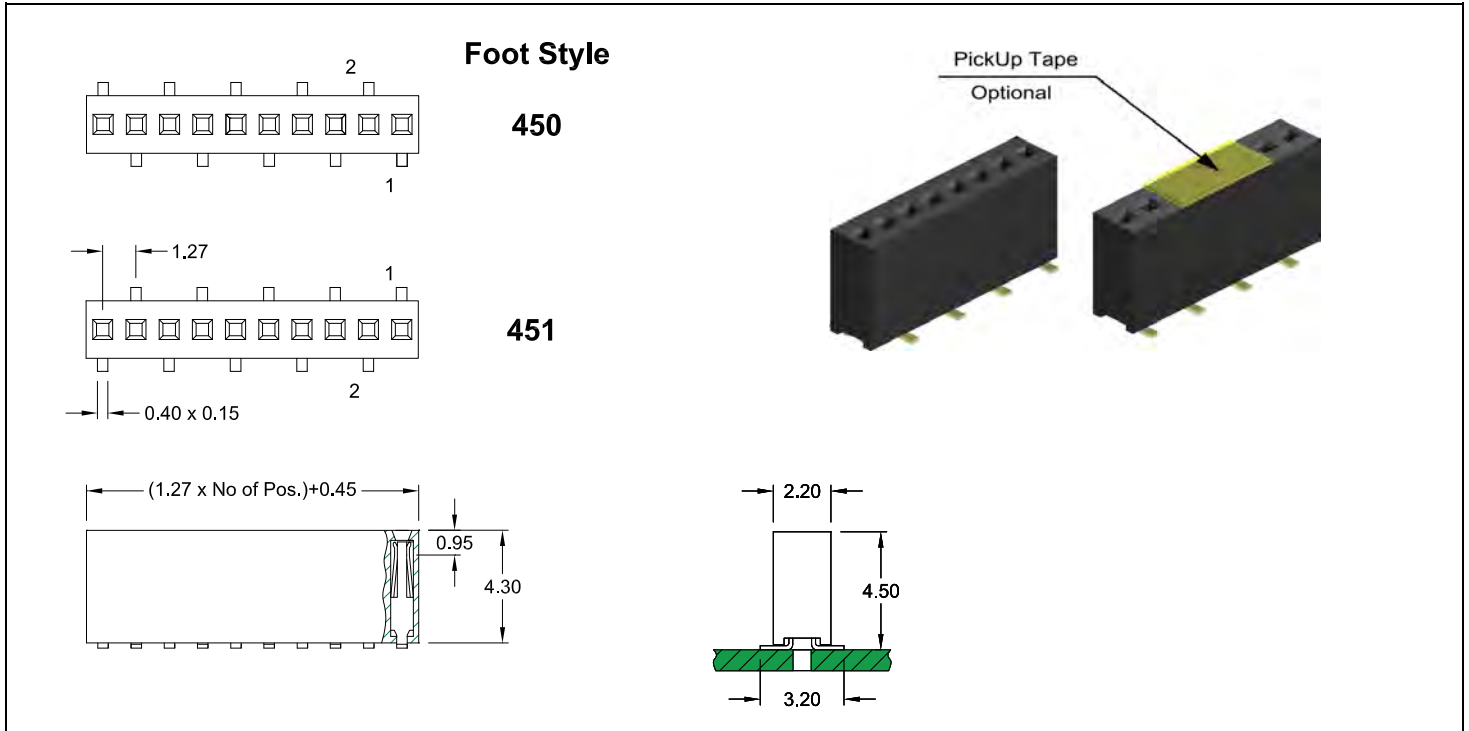
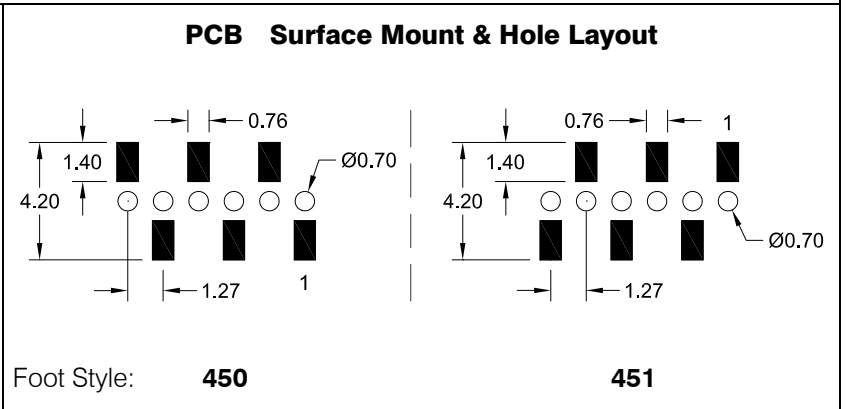


1.27mm pitch Female Header
 - SMT - single row 4.50mm profile



- Application and Features**
- **Standard:**
Tube packing, without "PickUp Tape"
 - Also available with "PickUp Tape" (Mylar) for automatic suck assembly to the PCB
 - Low profile, 4.50mm height Type. Hi-rel dual beam contacts.
 - Mating with 1.27mm pitch, 0.40mm square Pin Headers.
 - Through Board mating possible



Specifications

Current rating	1 A	Operating temperature	- 40°C to +105°C
Insulation resistance	1000 MΩ min.	Processing temperature	+250°C +0/-5°C for 5sec.
Contact resistance	20 mΩ max.	Contact material (RoHS compliant)	Phosphor Bronze
Withstanding voltage	500 V AC	Insulator material (RoHS compliant)	PA9T UL 94 V-0

How to order

BS1 - xxx - H xxx - 55/11 XX

Nbr of contacts	Foot Style	Plating	Packing and "PickUp Tape" Option
003 to 050	450 Pls. choose 450 Style if odd pin count. 451 Foot style see above detail	55 = Gold	AT = Tube packing; with "PickUp Tape" BT = Reel packing; with "PickUp Tape"