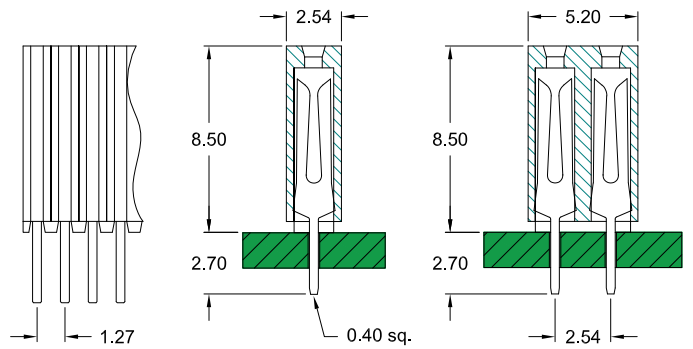


Style **S460**

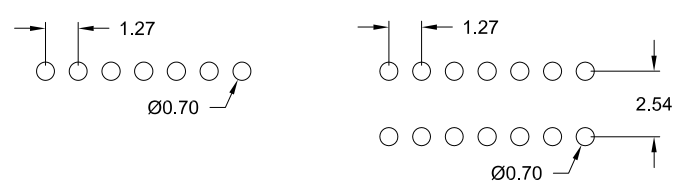


Style **S850**

Specifications

Current rating	1 A
Insulation resistance	1000 MΩ min.
Contact resistance	20 mΩ max.
Withstanding voltage	500 V AC
Operating temperature	- 40°C to +105°C
Contact material	(RoHS compliant) Phosphor Bronze
Insulator material	(RoHS compliant) PA9T UL 94 V-0

PCB Hole Layout



Application and Features

- Standard & low profile types
- Hi-rel fork contact design
- Mates with 0.46mm square or round Pin Header

How to order

BL x - xxx - S xxx - 55/1

Rows	Nbr of contacts	Style (height above PCB)	Plating
1 = single row	single row = 002 to 050	460 = 4.60 mm	55 = Gold
2 = dual row	dual row = 004 to 100	850 = 8.50 mm	other platings on request