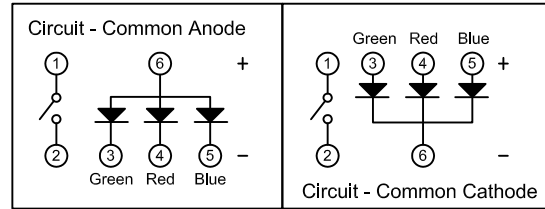
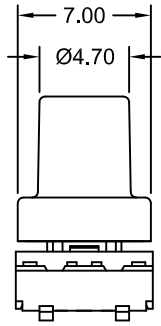


REV.	DESCRIPTION	DATE	DRAWN
A	New	29.11.2018	Ronny
B	correct PCB hole Layout	10.01.2019	Ronny



Order Code
TLS-76-R/81Xxx/XXXSX/6SZ

Cap Color
(Powder coated)
 Black = **B**
 Silver = **S**
 Transparent = **T**

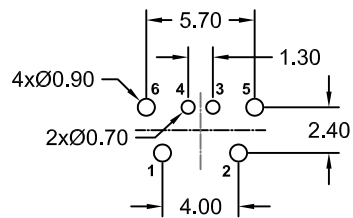
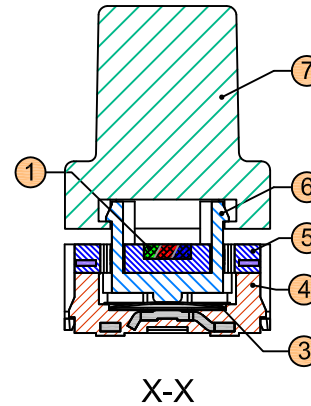
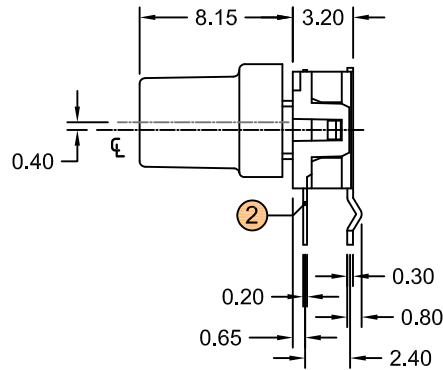
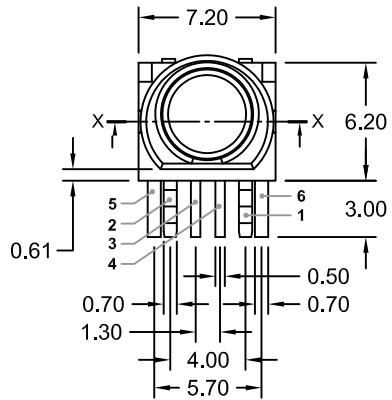
Packing
C = Reel
T = Tube
M = Tray (Blister)

LED Color
FA = full (RGB) Common Anode
FC = full (RGB) Common Cathode

Operating force

N = 160g
R = 260g

Cap Mark



Recommended PCB Hole Layout
 (Top View)

For more technical information, see
 Product Specification **ETEC/A-SW-011**



1 st	0	1	2	3	4	5	6	7	8	9
0	NO Mark	⏻	⏪	⏩	⏴	⏵	⏶	⏷	⏸	⏹
1	⏻	⏪	⏩	⏴	⏵	⏶	⏷	⏸	⏹	⏺
2	START	RESET	Reset	clr CMOS	clr CMOS	Turbo	⏶	⏷	⏸	⏹
3	⏴	⏵	⏶	⏷	⏸	⏹	⏺	⏻	⏼	⏽

Item	Desc.	Material	Treatment
1	LED		RGB
2	Terminal	Brass	Silver over Nickel
3	Contact	Steel	Silver over Nickel
4	Base	PA	Black
5	Cover	PA	Black
6	Stem	PA	Black
7	Cap	PC	black
3/4/5	LED Terminal	Phosphor Bronze	Silver over Nickel

E-tec 2019 © - all rights reserved



UNIT	SCALE	GENERAL TOLERANCE	DRAWN	DATE	DWG. NO.	SHEET 1/1
mm	Free	X.° ±	Ronny	29.11.2018	TLS-76-R/81S/6SZ	REV. B
		.X° ±	Hogi	10.01.2019	SERIES NO.	
		.XX° ±	Hogi	10.01.2019	TLS-76-R/81Xxx/XXXSX/6SZ	
		.XXX° ±				

LED Illuminated Tactile Switch
 THT right angle
 with Cap