

REV.	DESCRIPTION	DATE	DRAWN
A	NEW	20.02.2008	Lyndon
B	PN: -RxxX-AG -> R62N/1SZ	11.07.2013	Ronny
C	update RoHS: add Stem options	24.11.2014	Ronny

Order Code TSS-602-RxxN/1SZ

Stem height Option ("H")

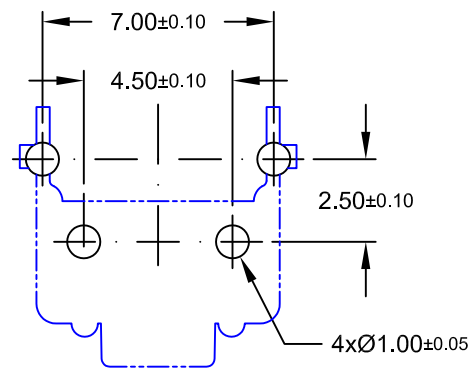
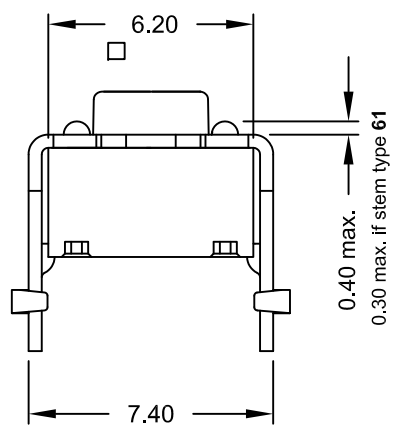
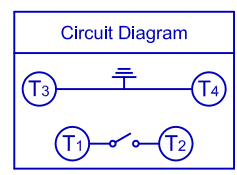
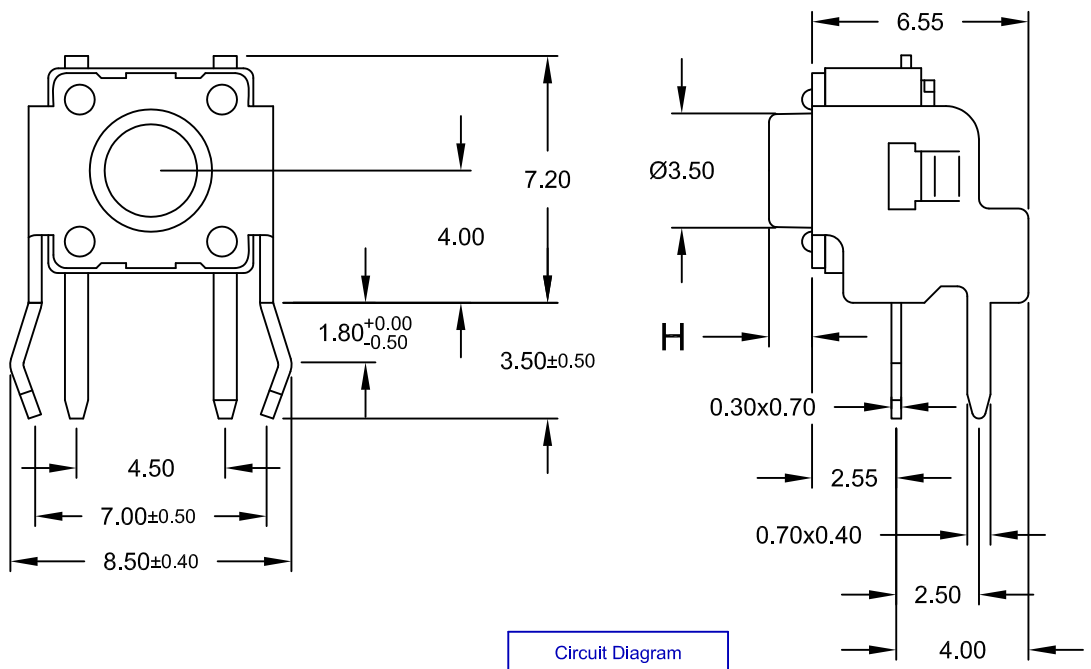
- 61** = 0.60 mm
- 62** = 1.30 mm
- 63** = 3.30 mm
- 65** = 5.80 mm
- 66** = 9.30 mm

Specifications

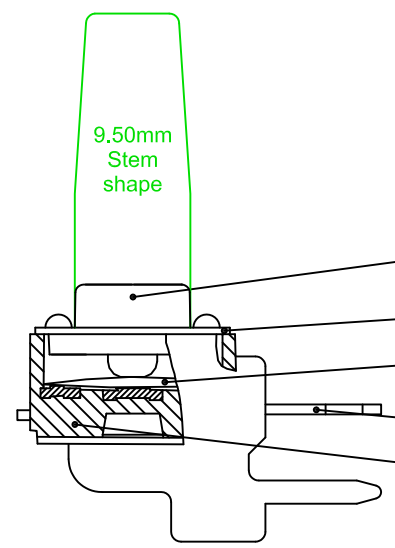
Electrical

Current rating: 50mA, 12V DC
 Insulation resistance: 100MΩ min.
 Withstanding voltage: 50V AC (50Hz or 60Hz) 1Minute
 Contact resistance: 100mΩ max.
 Temperature range: -40°C to +85°C
 Solder heat resistance: +255°C +0/-5°C
 for 5 to 10 seconds
 Operating force: 1.6N ±0.50N

ITEM	DESC.	MATERIALS	TREATMENT
1	Stem	Nylon UL 94V-0	1.6N = brown (colour depend on operating force)
2	Cover	stainless steel	none
3	Contact	Phosphor Bronze	with Silver cladding
4	Terminal	Brass	with Silver plating 0.5µm
5	Base	Nylon UL 94V-0	molded black



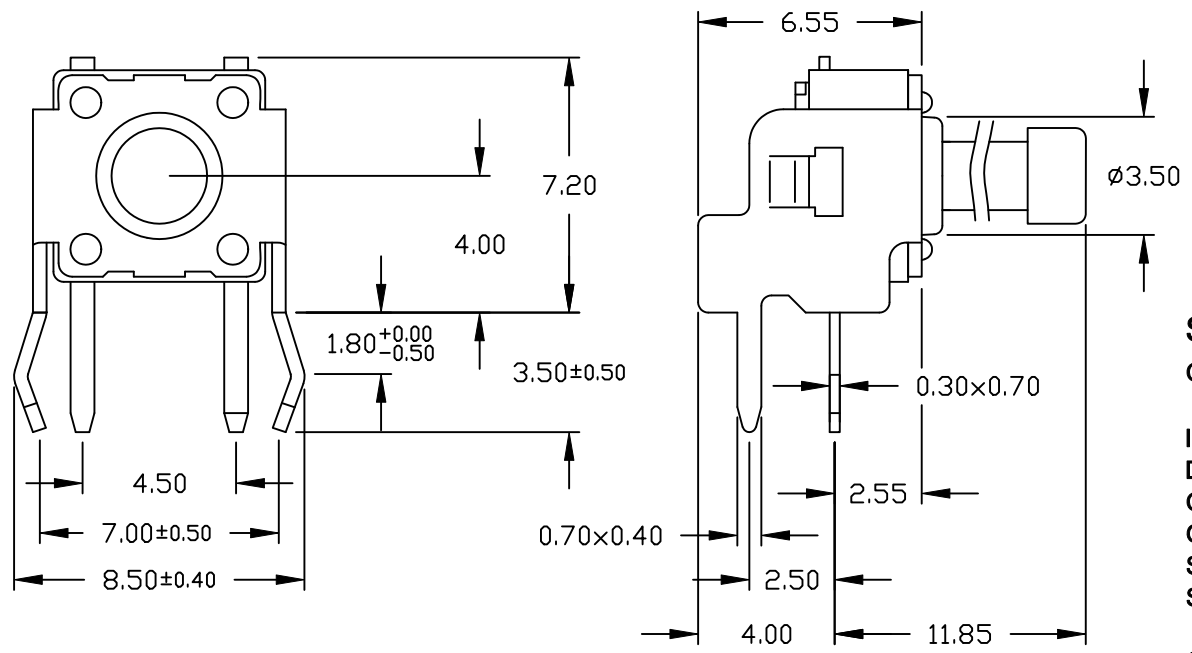
Recommended PCB Layout
(Top View)



UNIT	SCALE	GENERAL TOLERANCE	DRAWN	DATE	DWG. NO.	SHEET 1/1
mm	Free	X.° ± X. ±	Lyndon	20.02.2008	TSS-R6N/1SZ	REV. C
		.X° ± .XX ± 0.20	Hogi	24.11.2014	SERIES NO.	
		.XXX° ± .XXX ±	Hogi	25.11.2014	TSS-602-RxxN/1SZ	

Tactile Switch 90° THT 6x6
1.6N Type
NON-washable

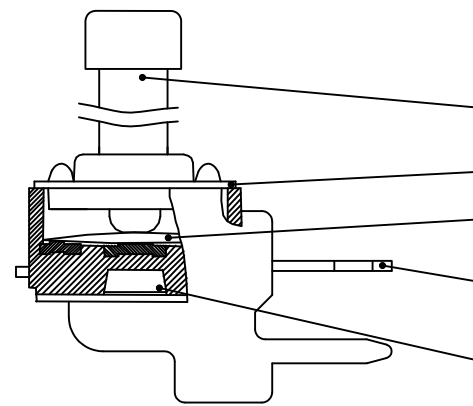
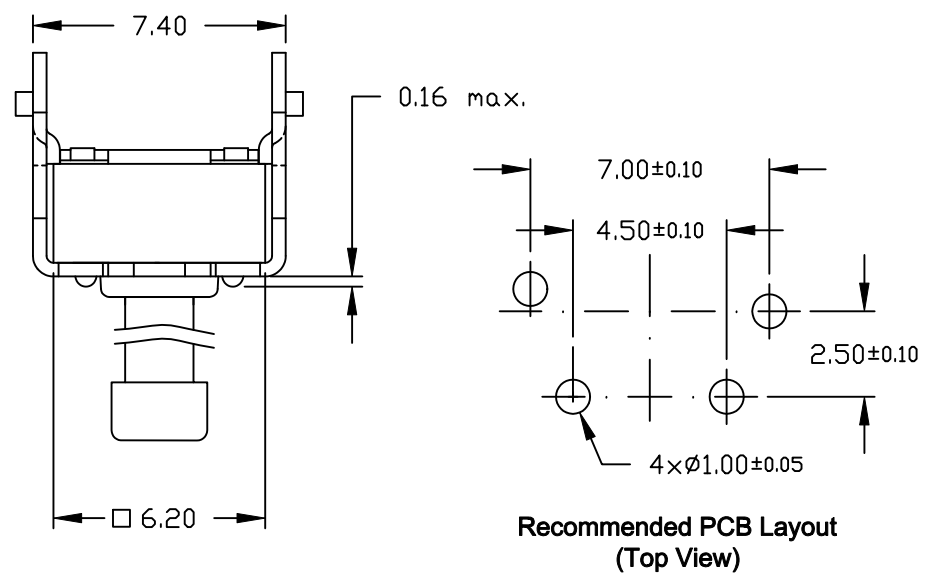
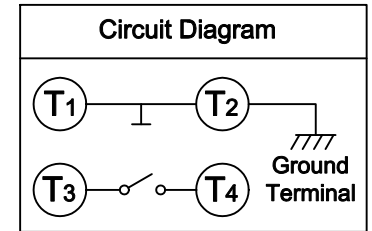
REV.	LOCAS.	DESCRIPTION	DATE	DRAWN
A		NEW	25.05.2002	RH
B		PN: -R63N-AG --> -R60NT/1SZ	11.06.2010	RH



ORDER CODE
TSS-602-R60NT/1SZ

Specifications

Current rating: 50mA, 12V DC
300mA max. 30V DC max. (9W max.)
Insulation resistance: 100MΩ min.
Dielectric withstanding: 250V AC (50Hz or 60Hz) 1Minute
Contact resistance: 100mΩ max.
Operating temperature: -25°C to +70°C
Storage temperature: -30°C +80°C
Solder heat resistance: +255°C ±5°C
for 5 to 10 sec.
Operating force: 1.6N ±0.50N



ITEM	DESC.	Q'TY	MATERIALS	TREATMENT
1	Stem	1	high- temp thermoplastic Nylon UL 94V-0	colour depend on operating force (1.6N = brown)
2	Cover	1	stainless steel	none
3	Contact	1	Phosphor Bronze	with Silver cladding
4	Terminal	1	Brass	with Silver plating 0.5µm
5	Base	1	high- temp thermoplastic Nylon UL 94V-0	molded brown



UNIT	mm	GENERAL TOLERANCE		DRAWN	DATE	DWG. NO.	SHEET 1/1
SCALE	Free	X° ±	X. ±	RH	25.05.2002	TSS-R60NT/1SZ	REV. B
		.X° ±	.X ±	Ronny	11.06.2010	SERIES NO.	
		.XX° ±	.XX ± 0.20	APPROVE	11.06.2010	TSS-602-RxxNT/1SZ	
		.XXX° ±	.XXX ±	Hogi			

Tactile Switch
THT 6x6 right Angle
NON-washable type

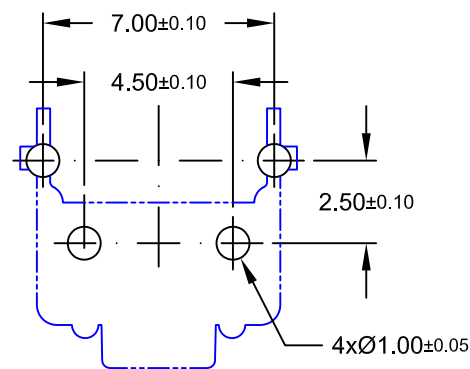
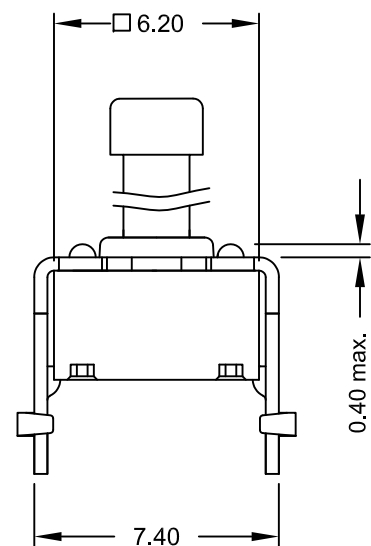
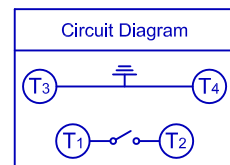
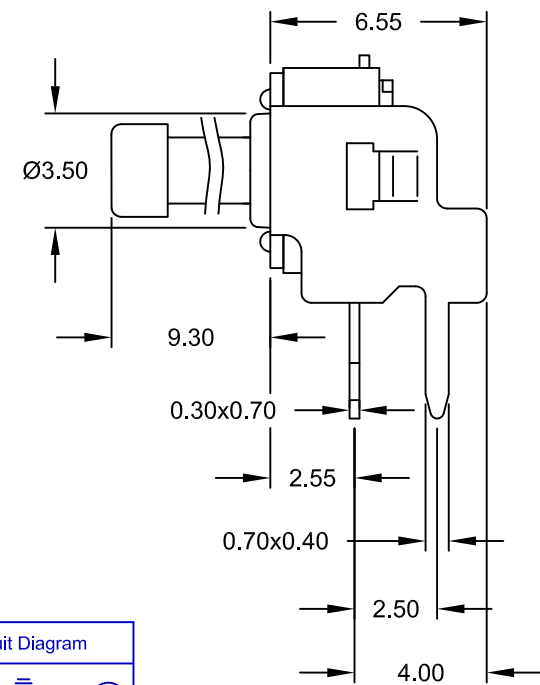
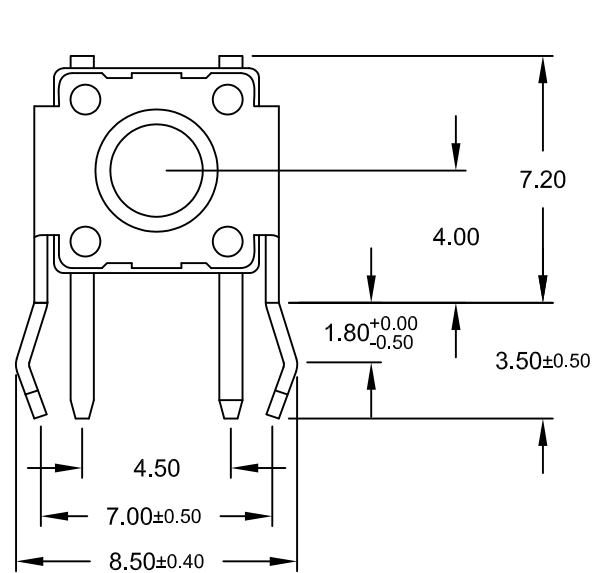
REV.	DESCRIPTION	DATE	DRAWN
A	NEW	25.05.2002	RH
B	PN: -R63N-AG => -R60NT/1SZ	11.06.2010	RH
C	PN: -R60NT/1SZ => -R66NT/1SZ; correct Circult Diagram	11.07.2013	Ronny
D	update RoHS	24.11.2014	Ronny

Order Code
TSS-602-R66NT/1SZ

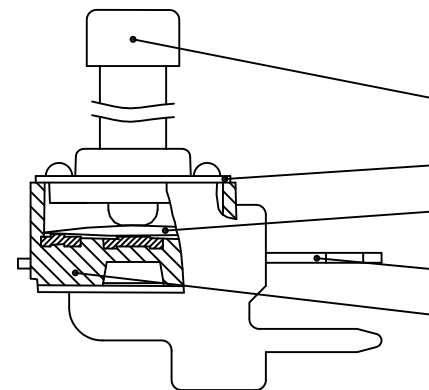
Specifications

Electrical
 Current rating: 50mA, 12V DC
 Insulation resistance: 100MΩ min.
 Withstanding voltage: 50V AC (50Hz or 60Hz) 1Minute
 Contact resistance: 100mΩ max.
 Temperature range: -40°C to +85°C
 Solder heat resistance: +255°C +0/-5°C
 for 5 to 10 seconds
 Operating force: 1.6N ±0.50N

ITEM	DESC.	MATERIALS	TREATMENT
1	Stem	Nylon UL 94V-0	1.6N = brown (colour depend on operating force)
2	Cover	stainless steel	none
3	Contact	Phosphor Bronze	with Silver cladding
4	Terminal	Brass	with Silver plating 0.5μm
5	Base	Nylon UL 94V-0	molded black



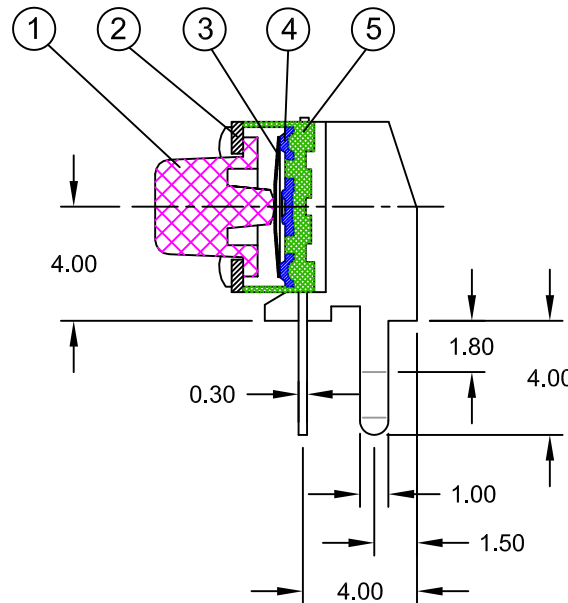
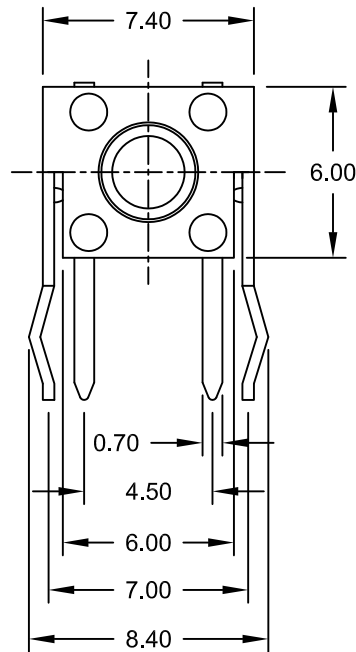
Recommended PCB Layout
(Top View)



UNIT mm	GENERAL TOLERANCE		DRAWN RH	DATE 25.05.2002	DWG. NO. TSS-R66NT/1SZ	SHEET 1/1
	X° ±	X. ±	CHECK Ronny	DATE 24.11.2014	REV. D	
SCALE Free	.XX° ±	.XX ± 0.20	APPROVE Hogi	DATE 25.11.2014	SERIES NO. TSS-602-RxxNT/1SZ	
Ø	.XXX° ±	.XXX ±				

Tactile Switch 90° THT 6x6
1.6N Type stem height 9.30mm
NON-washable

REV.	DESCRIPTION	DATE	DRAWN
A	New	22.11.2017	Ronny



Order Code
TSS-602-R67RK/5SZ

Stem length option "H"

67 = 13.35mm

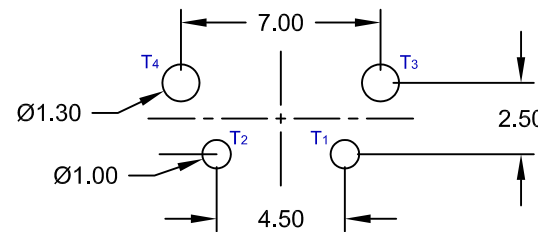
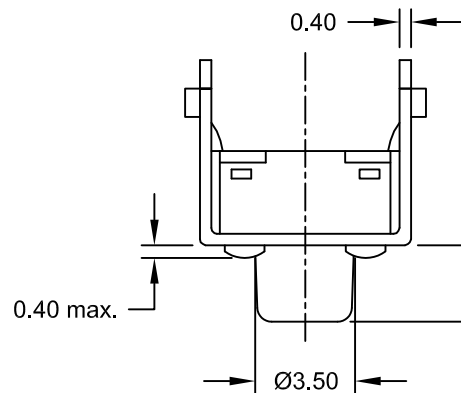
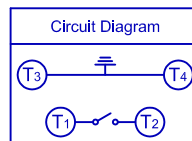
Specifications

Electrical

Current rating: 50mA @ 12V DC
 Insulation resistance: 100MΩ min.
 Contact resistance: 50mΩ max.
 Withstanding voltage: 250V AC (50Hz - 60Hz, 2mA) 1Minute

Temperature range: -20°C to +70°C
 Processing temperature: +255°C ±5°C
 for 5 to 10 seconds

Operating force: 2.50N ±0.50N
 Travel: 0.25mm ±0.1mm



Recommended PCB Hole Layout
(Top View)

Item	Desc.	Material	Treatment
1	Stem	PA66 UL 94V-0	black
2	Cover	Stainless Steel	with Tin
3	Contact	Phosphor Bronze	with Silver cladding
4	Terminal	Brass	with Silver 0.3µm
5	Base	PA66 UL 94V-0	black

E-tec 2017 © - all rights reserved



UNIT mm	GENERAL TOLERANCE		DRAWN Ronny	DATE 22.11.2017
	X.° ±	X. ±		
	.XX° ±	.X ±		
	.XX° ±	.XX ± 0.15		
	.XXX° ±	.XXX ±		
SCALE Free			CHECK Hogi	DATE 30.11.2017
			APPROVE Hogi	DATE 30.11.2017

DWG. NO.	SHEET 1/1
TSS-602-R67RK/5	REV. A
SERIES NO.	
TSS-602-RxxRK/5X	

Tactile Switch 90° THT
 2.50N Type (±0.50N)
 Stem length 13.35mm
 NON - washable