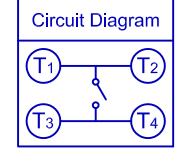


REV.	DESCRIPTION	DATE	DRAWN
A	NEW	28.11.2012	Ronny
B	update RoHS: add Stem options	24.11.2014	Ronny
C	correct color brown -> black	19.05.2015	Ronny

Order Code
TSS-602-xxNK/1SZ

Stem height Option ("H")

- 61** = 0.80 mm
- 62** = 1.50 mm
- 63** = 3.50 mm
- 65** = 6.00 mm
- 66** = 9.50 mm



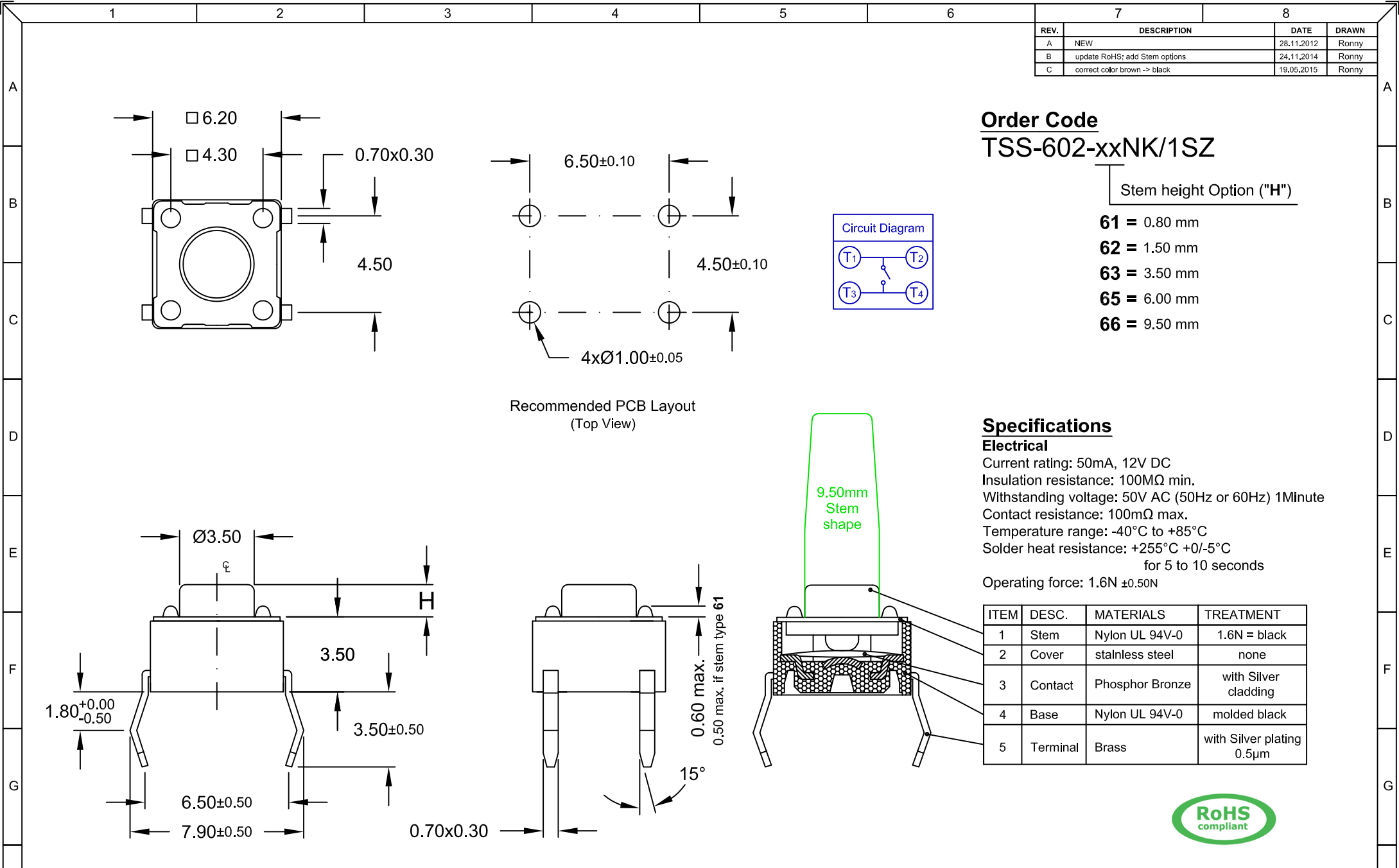
Recommended PCB Layout
(Top View)

Specifications

Electrical

Current rating: 50mA, 12V DC
 Insulation resistance: 100MΩ min.
 Withstanding voltage: 50V AC (50Hz or 60Hz) 1Minute
 Contact resistance: 100mΩ max.
 Temperature range: -40°C to +85°C
 Solder heat resistance: +255°C +0/-5°C
 for 5 to 10 seconds
 Operating force: 1.6N ±0.50N

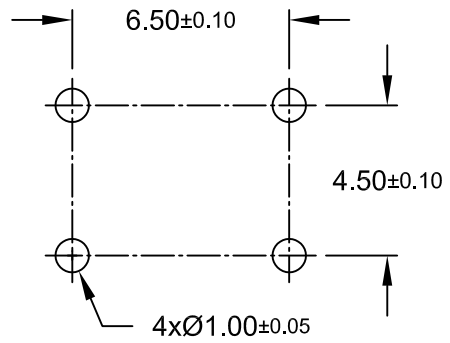
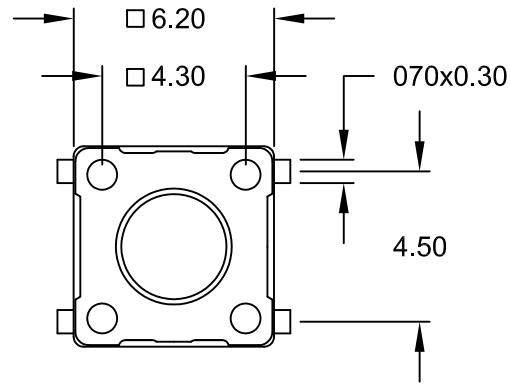
ITEM	DESC.	MATERIALS	TREATMENT
1	Stem	Nylon UL 94V-0	1.6N = black
2	Cover	stainless steel	none
3	Contact	Phosphor Bronze	with Silver cladding
4	Base	Nylon UL 94V-0	molded black
5	Terminal	Brass	with Silver plating 0.5μm



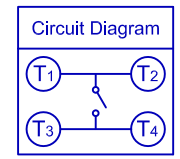
UNIT	SCALE	GENERAL TOLERANCE		DRAWN	DATE	DWG. NO.	SHEET 1/1
mm	Free	X.° ±	X. ±	Ronny	28.11.2012	TSS-6NK/1SZ	REV. C
		.XX° ±	.XX ± 0.20	Oliver	19.05.2015	SERIES NO.	
		.XXX° ±	.XXX ±	Hogi	19.05.2015	TSS-602-xxNK/1SZ	

Tactile Switch THT 6x6
1.6N Type
 kinked solder legs **NON-washable**

REV.	DESCRIPTION	DATE	DRAWN
A	NEW	08.06.2015	Ryan



Recommended PCB Layout
(Top View)



Order Code
TSS-602-xxRK/1SZ

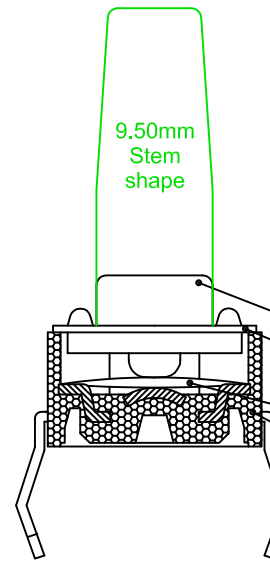
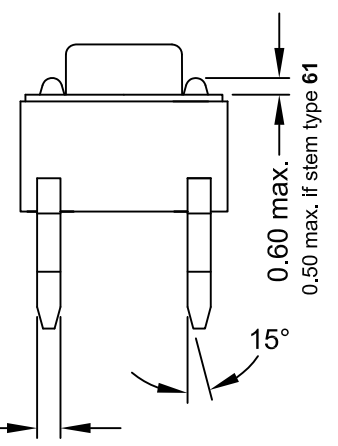
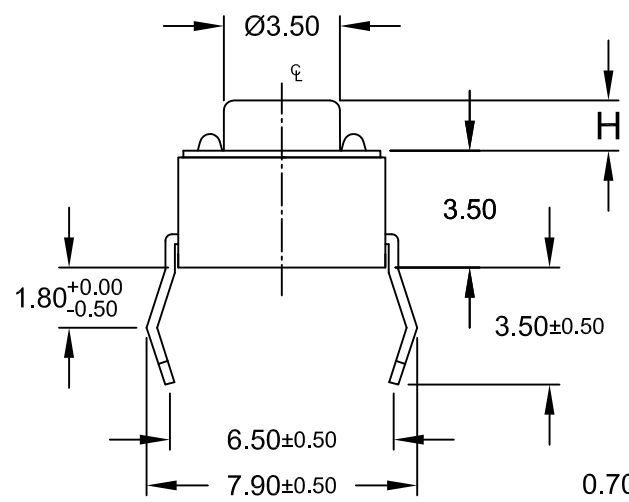
Stem height Option ("H")

- 61** = 0.80 mm
- 62** = 1.50 mm
- 63** = 3.50 mm
- 65** = 6.00 mm
- 66** = 9.50 mm

Specifications

Electrical

Current rating: 50mA, 12V DC
 Insulation resistance: 100MΩ min.
 Withstanding voltage: 50V AC (50Hz or 60Hz) 1Minute
 Contact resistance: 100mΩ max.
 Temperature range: -40°C to +85°C
 Solder heat resistance: +255°C +0/-5°C
 for 5 to 10 seconds
 Operating force: 2.6N ±0.50N



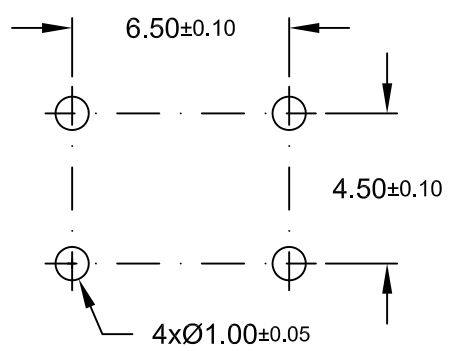
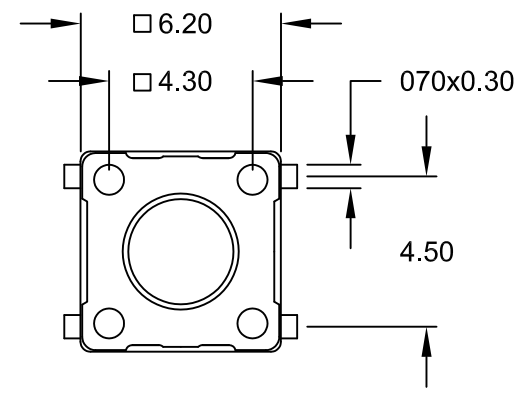
ITEM	DESC.	MATERIALS	TREATMENT
1	Stem	Nylon UL 94V-0	2.6N = red
2	Cover	stainless steel	none
3	Contact	Phosphor Bronze	with Silver cladding
4	Base	Nylon UL 94V-0	molded black
5	Terminal	Brass	with Silver plating 0.5µm



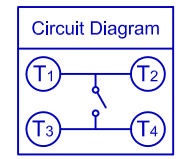
UNIT mm	GENERAL TOLERANCE		DRAWN Ryan	DATE 08.06.2015	DWG. NO. TSS-6RK/1SZ	SHEET 1/1				
	SCALE Free	X° ±					X. ±	CHECK Ronny	DATE 08.06.2015	REV. A
		.XX° ±					.XX ± 0.20			
		.XXX° ±					.XXX ±			
			APPROVE Hogi	DATE 08.06.2015	SERIES NO. TSS-602-xxRK/1SZ					

Tactile Switch THT 6x6
2.6N Type
 kinked solder legs **NON-washable**

REV.	DESCRIPTION	DATE	DRAWN
A	NEW	21.07.2015	Ronny



Recommended PCB Layout
(Top View)



Order Code

TSS-602-xxRST/1SZ

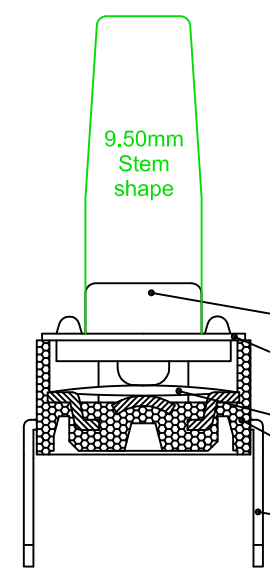
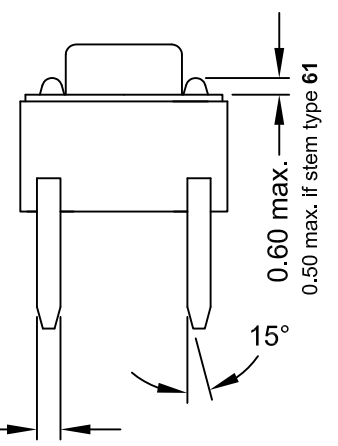
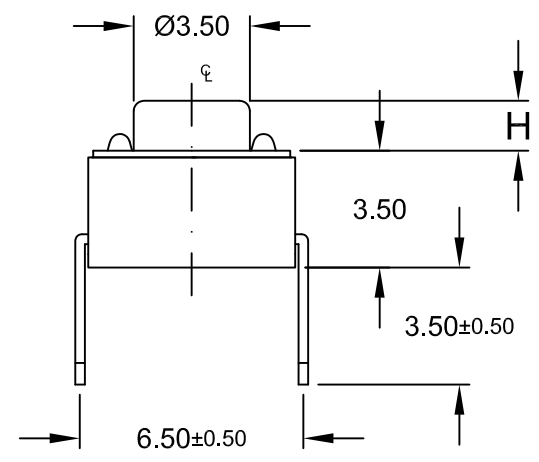
Stem height Option ("H")

- 61** = 0.80 mm
- 62** = 1.50 mm
- 63** = 3.50 mm
- 65** = 6.00 mm
- 66** = 9.50 mm

Specifications

Electrical

Current rating: 50mA, 12V DC
 Insulation resistance: 100MΩ min.
 Withstanding voltage: 50V AC (50Hz or 60Hz) 1Minute
 Contact resistance: 100mΩ max.
 Temperature range: -40°C to +85°C
 Solder heat resistance: +255°C +0/-5°C
 for 5 to 10 seconds
 Operating force: 2.6N ±0.50N



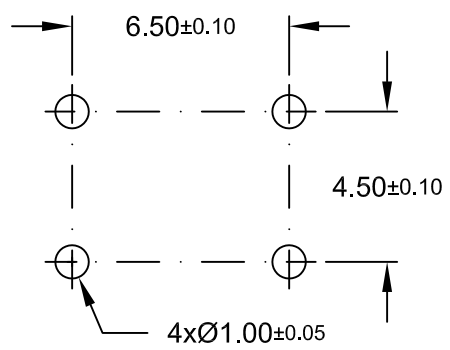
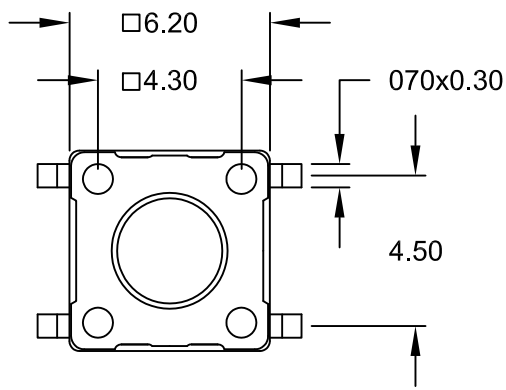
ITEM	DESC.	MATERIALS	TREATMENT
1	Stem	Nylon UL 94V-0	2.6N = red (colour depend on operating force)
2	Cover	stainless steel	none
3	Contact	Phosphor Bronze	with Silver cladding
4	Base	Nylon UL 94V-0	molded black
5	Terminal	Brass	with Silver plating 0.5µm



UNIT	SCALE	GENERAL TOLERANCE		DRAWN	DATE	DWG. NO.	SHEET 1/1
mm	Free	X.° ±	X. ±	Ronny	21.07.2015	TSS-6RST/1SZ	REV. A
		.X° ±	.X ±	Oliver	21.07.2015	SERIES NO.	
		.XX° ±	.XX ± 0.20	Hogi	21.07.2015	TSS-602-xxRST/1SZ	
		.XXX° ±	.XXX ±				

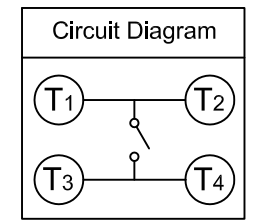
Tactile Switch THT 6x6
2.6N Type
 straight solder legs **NON-washable**

REV.	DESCRIPTION	DATE	DRAWN
A	NEW	25.05.2002	RH
B	correct temp.	10.01.2011	Ronny
C	update RoHS	24.11.2014	Ronny



Recommended PCB Layout
(Top View)

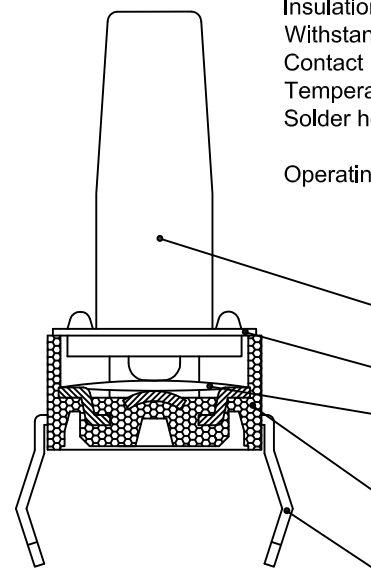
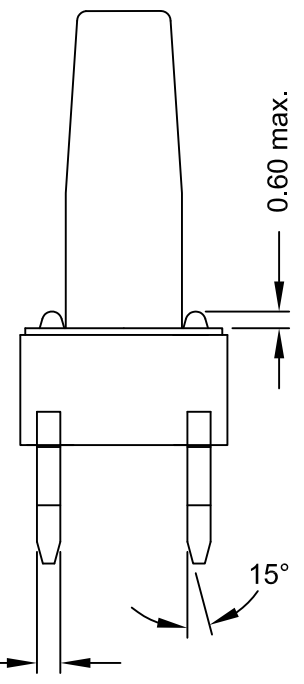
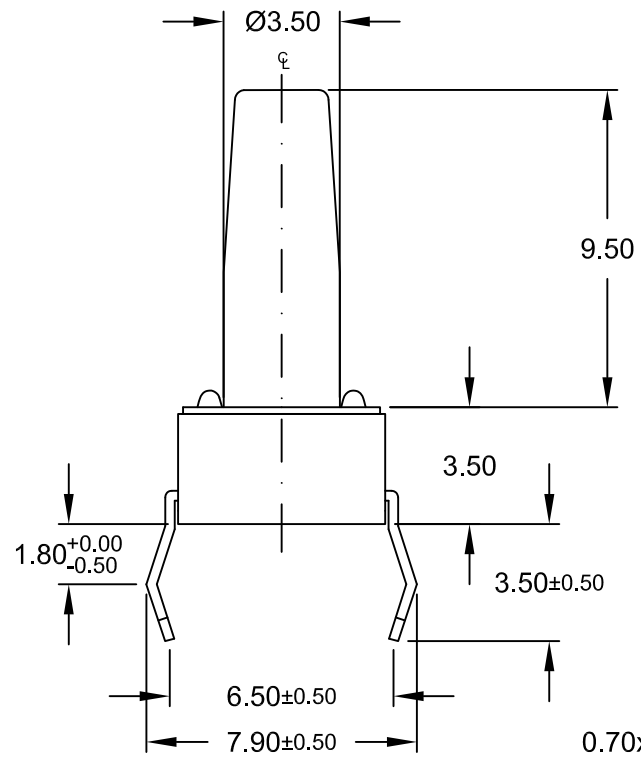
Order Code
TSS-602-60NT/1SZ



Specifications

Electrical

Current rating: 50mA, 12V DC
 Insulation resistance: 100MΩ min.
 Withstanding voltage: 50V AC (50Hz or 60Hz) 1Minute
 Contact resistance: 100mΩ max.
 Temperature range: -40°C to +85°C
 Solder heat resistance: +255°C +0/-5°C
 for 5 to 10 seconds
 Operating force: 1.6N ±0.50N



ITEM	DESC.	Q'TY	MATERIALS	TREATMENT
1	Stem	1	high- temp thermoplastic Nylon UL 94V-0	colour depend on operating force (1.6N = brown)
2	Cover	1	stainless steel	none
3	Contact	1	Phosphor Bronze	with Silver cladding
4	Base	1	high- temp thermoplastic Nylon UL 94V-0	molded brown
5	Terminal	1	Brass	with Silver plating 0.5µm



UNIT	mm	GENERAL TOLERANCE		DRAWN	RH	DATE	25.05.2002
SCALE	Free	X.° ±	X. ±	CHECK	Ronny	DATE	24.11.2014
		.XX° ±	.XX ± 0.20	APPROVE	Hogi	DATE	24.11.2014
		.XXX° ±	.XXX ±				

DWG. NO.	TSS-60NT/1SZ	SHEET 1/1
SERIES NO.	TSS-602-xxNT/1SZ	REV. C

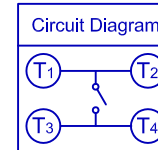
Tactile Switch THT 6x6
1.6N Type stem height 9.50mm
kinked solder legs NON-washable

REV.	DESCRIPTION	DATE	DRAWN
A	NEW	12.11.2010	Ronny
B	correct-temp.	10.01.2011	Ronny
C	update RoHS; add Stem options	24.11.2014	Ronny

Order Code TSS-602-SxxNT/1SZ

Stem height Option ("H")

- 61** = 0.80 mm
- 62** = 1.50 mm
- 63** = 3.50 mm
- 65** = 6.00 mm
- 66** = 9.50 mm

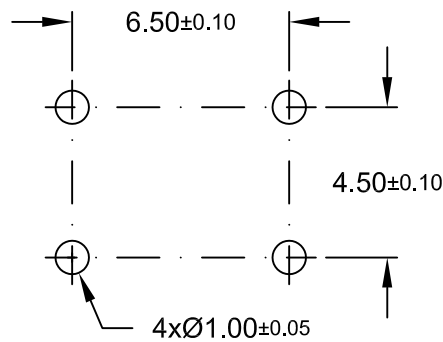
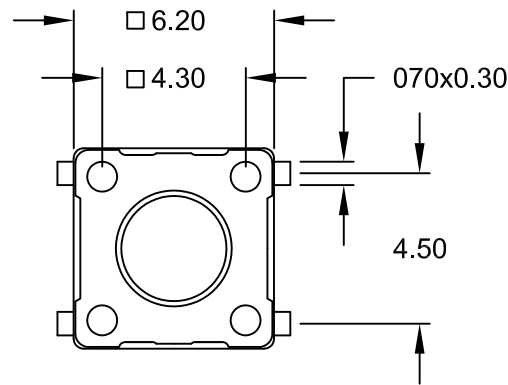


Specifications

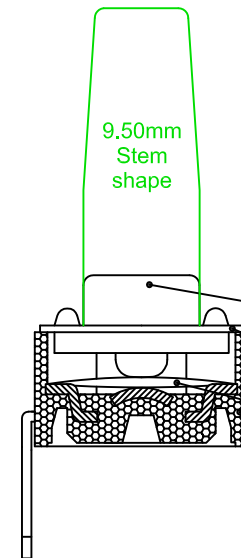
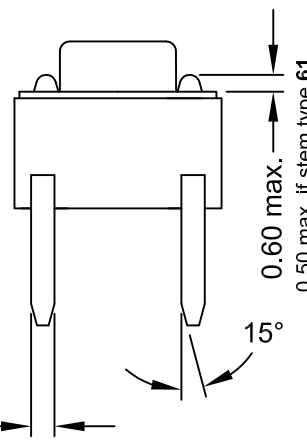
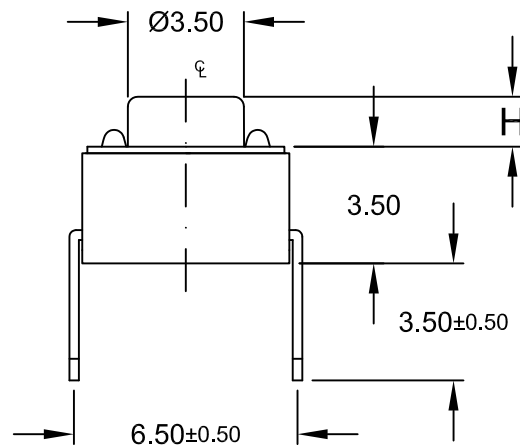
Electrical

Current rating: 50mA, 12V DC
 Insulation resistance: 100MΩ min.
 Withstanding voltage: 50V AC (50Hz or 60Hz) 1Minute
 Contact resistance: 100mΩ max.
 Temperature range: -40°C to +85°C
 Solder heat resistance: +255°C +0/-5°C
 for 5 to 10 seconds
 Operating force: 1.6N ±0.50N

ITEM	DESC.	MATERIALS	TREATMENT
1	Stem	Nylon UL 94V-0	1.6N = brown (colour depend on operating force)
2	Cover	stainless steel	none
3	Contact	Phosphor Bronze	with Silver cladding
4	Base	Nylon UL 94V-0	molded black
5	Terminal	Brass	with Silver plating 0.5µm



Recommended PCB Layout
(Top View)



UNIT	GENERAL TOLERANCE		DRAWN	DATE	DWG. NO.	SHEET 1/1
mm	X.° ±	X. ±	Ronny	12.11.2010	TSS-6NT/1SZ	REV. C
SCALE	.X° ±	.X ±	Hogi	24.11.2014	SERIES NO.	
Free	.XX° ±	.XX ± 0.20	APPROVE	DATE	TSS-602-SxxNT/1SZ	
	.XXX° ±	.XXX ±	Hogi	25.11.2014		

Tactile Switch THT 6x6
1.6N Type
 straight solder legs **NON-washable**

