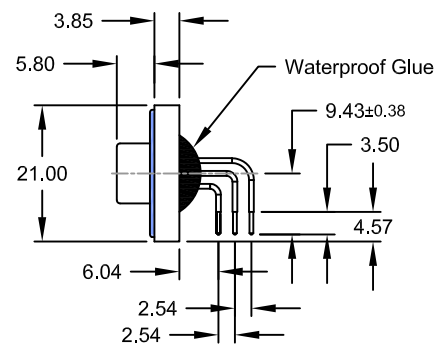
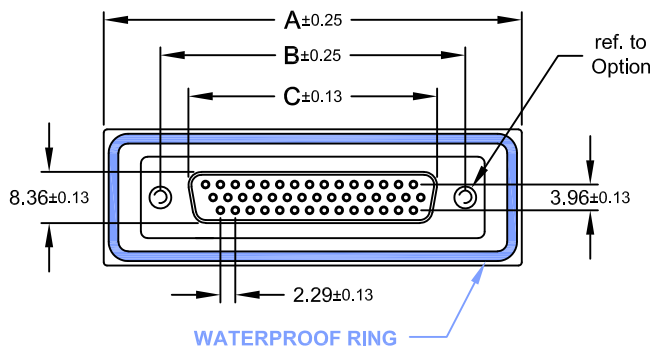
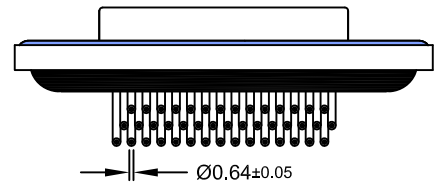


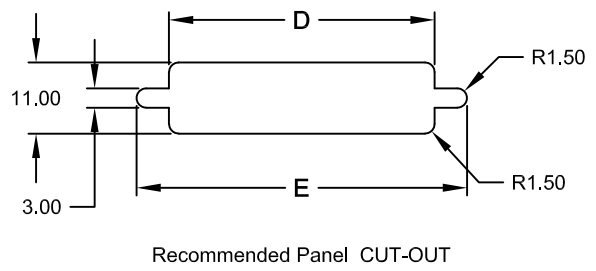
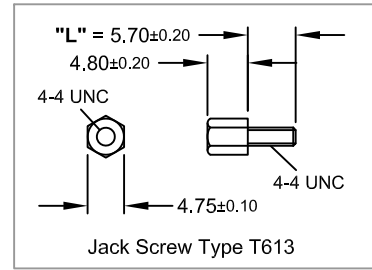
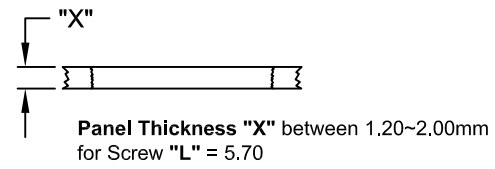
REV.	DESCRIPTION	DATE	DRAWN
A	New	10.11.2006	RH
C	correct No. of contact	20.04.2011	Ronny
D	7.40->9.43, Ø0.60->Ø0.64, 5.58->6.04	06.08.2018	RH
E	update	08.08.2019	Ronny



**Order Code**  
**SHF-xxx-FIP7-55/L1TXX**



Dimension mm					No. of Contact
A	B	C	D	E	
39,40	24,99	16,33	20,00	28,20	<b>015</b>
47,70	33,30	24,66	28,00	36,50	<b>026</b>
64,50	47,04	38,38	41,50	51,00	<b>044</b>

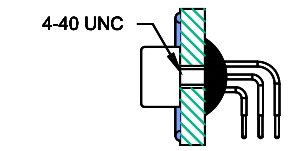


**Specifications**  
**Electrical**  
Current rating: 5A  
Insulation resistance: 5000MΩ min.  
Contact resistance: 10mΩ max.  
Withstanding voltage: 1000V AC rms

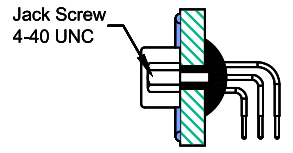
**Material**  
Contact: Brass  
Plating: Au flash over Ni  
Insulator: PBT UL 94V-0  
Shell: Steel  
Plating: Ni  
Operating temperature: -55°C to +85°C



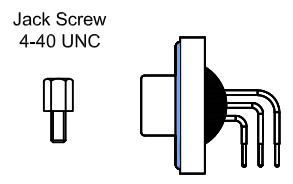
Salt Spray: 48 Hours  
Waterproof Rate: IP 67 min.



Option: **T**

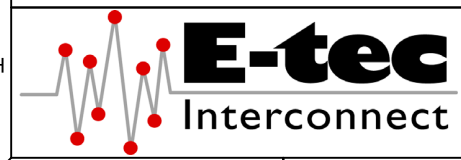


Option: **TJ**  
(Jack Screws mounted)



Option: **TJS**  
(Jack Screws bulk packed)

E-tec 2019 © - all rights reserved



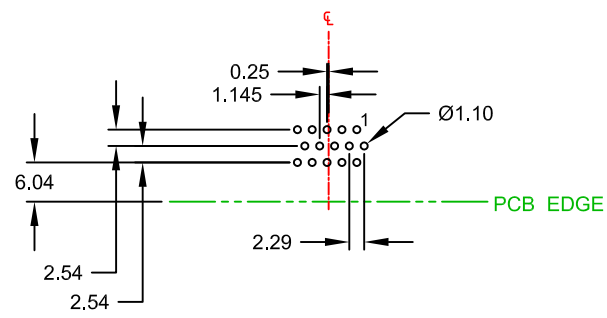
UNIT	mm	GENERAL TOLERANCE		DRAWN	RH	DATE	13.11.2006
		X.° ±	X. ±				
SCALE	Free	.X° ±	.X ±	CHECK	Ronny	DATE	08.08.2019
		.XX° ±	.XX ± 0.25	APPROVE	Fagi	DATE	08.08.2019
		.XXX° ±	.XXX ±				

DWG. NO.	SHEET 1/2
SHF-FIP7/L1T	REV. E
SERIES NO.	
SHF-xxx-FIP7-55/L1TXX	

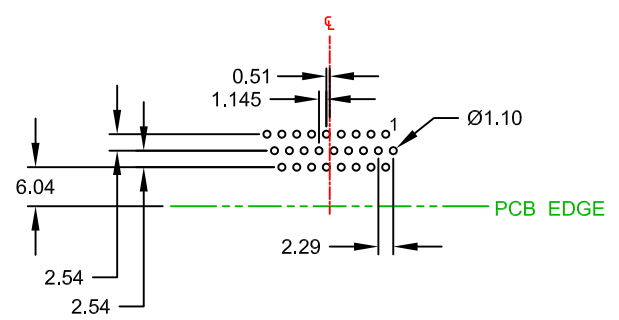
**Waterproof D-Sub**  
High Density "Female"  
*Right Angle Type w/o Brackets*

REV.	DESCRIPTION	DATE	DRAWN
A	New	10.11.2006	RH
B	frame	23.07.2008	Ronny
C	general update	06.08.2018	RH
D	update	08.08.2019	Ronny

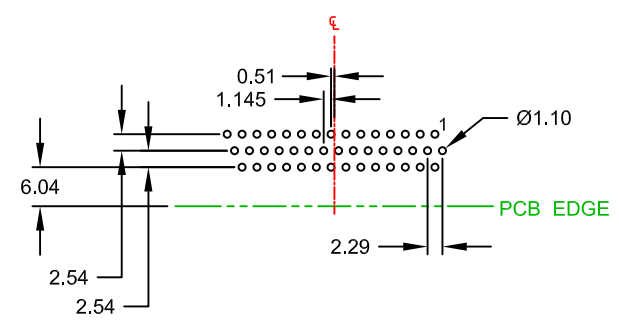
# RECOMMENDED PCB HOLE LAYOUT "FEMALE"



15-contact



26-contact



44-contact

Layout Top View  
(Tolerance ±0.05)

E-tec 2019 © - all rights reserved



UNIT mm	GENERAL TOLERANCE		DRAWN RH	DATE 13.11.2006	DWG. NO. SHF-FIP7/L1	SHEET 2/2	
	X.° ±	X. ±					
	SCALE Free	.X° ±	.X ±	CHECK Ronny	DATE 08.08.2019	SERIES NO. SHF-xxx-FIP7-55/L1XX	REV. D
		.XX° ±	.XX ± 0.25				
	.XXX° ±	.XXX ±	APPROVE Fagi	DATE 08.08.2019			

**PCB Hole Layout for**  
Waterproof D-Sub  
High Density "Female"  
*Right Angle Type w/o Brackets*