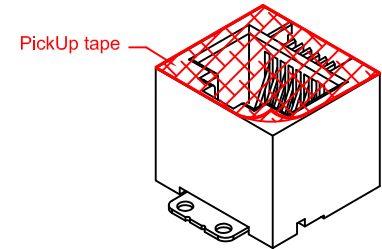
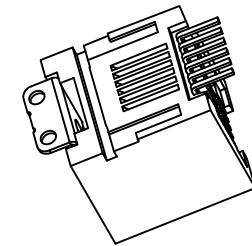
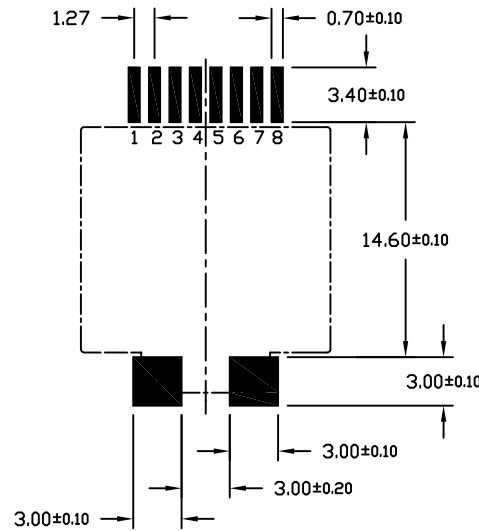
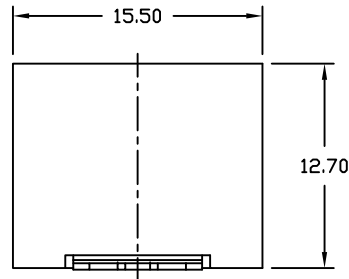
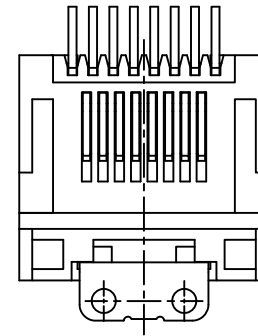
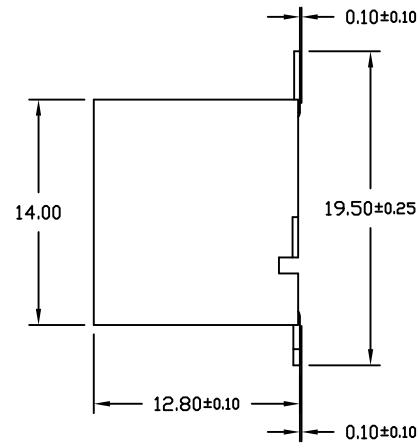
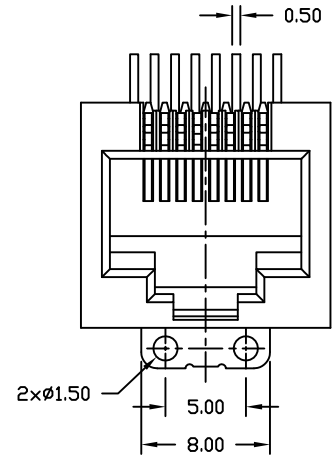


REV.	LOCAS.	DESCRIPTION	DATE	DRAWN
A		RoHS	13.07.2006	Ronny
B		P/N: -TSA03- -> -T1S0-	23.02.2009	Ronny
C		add pickup tape; PN add /R	18.02.2011	Ronny
D		New DWG. No.	01.02.2012	Ronny



NOTE :

- MATERIAL:** HI TEMP THERMOPLASTIC UL94V-0
STANDARD COLOR-BLACK
CONTACT-PHOSPHOR BRONZE; 0.35mm THICK
SELECTIVE GOLD/TIN PLATED OVER Ni
HOLD DOWN: COPPER ALLOY; 0.40mm THICK
TIN OVER NICKEL
- ENVIROMENTAL:**
OPERATING TEMPERATURE: -20°C TO +85°C
PROCESSING TEMPERATURE:
+230°C FOR 60 SEC. max.
+260°C -5/+0 FOR 5 SEC max.
- ELECTRICAL:**
CURRANT RATING: 1,5A max. (@25°C)
VOLTAGE RATING: 150V AC max.
CONTACT RESISTANCE: 15mΩ max.
DIELECTRIC WITHSTANDING VOLTAGE:
1000V rms 1 MINUTE (60Hz)
INSULATION RESISTANCE:
500MΩ min.
- CAVITY CONFIRMS TO FCC RULES AND REGISTRATION PAR68, SUBPARTS F.**
- PACKING: REEL**



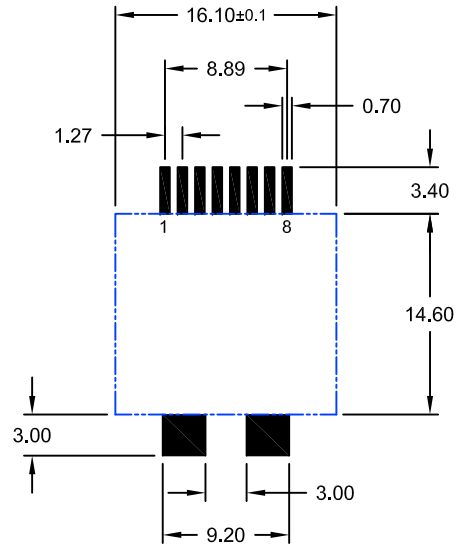
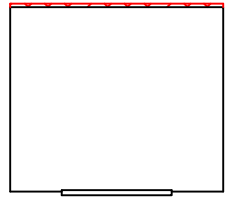
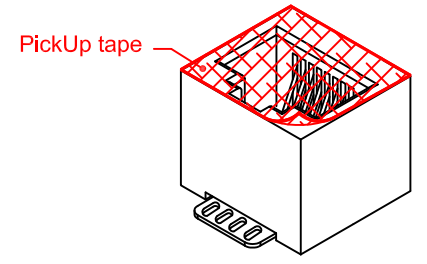
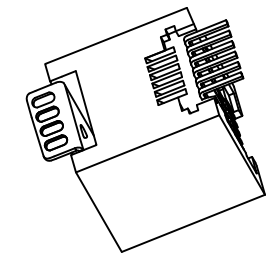
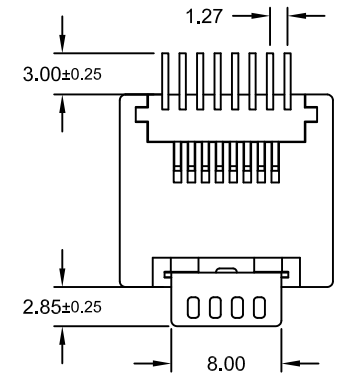
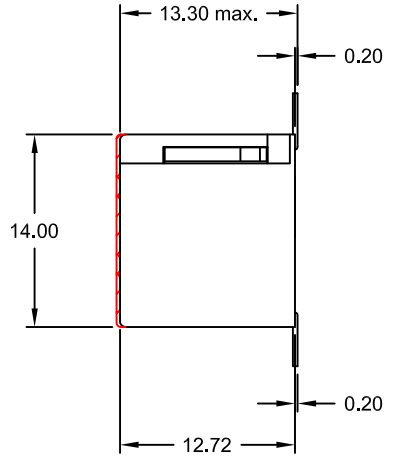
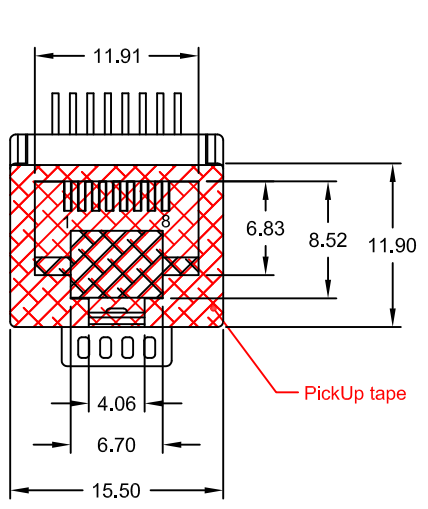
RECOMMENDED PCB LAYOUT

PART NUMBER	GOLD PLATING CONTACT AREA
MJT-188-T1S0-96/R	6μ"
MJT-188-T1S0-97/R	15μ"
MJT-188-T1S0-98/R	30μ"
MJT-188-T1S0-9H/R	50μ"

	UNIT	mm		DRAWN	Ronny	DATE	13.07.2006	DWG. NO.	1811500	SHEET 1/1	
	SCALE	Free		CHECK	Ronny	DATE	01.02.2012	SERIES NO.	MJT-188-T1S0-xx/R	REV. D	
		GENERAL TOLERANCE		APPROVE	Hogi	DATE	01.02.2012				
		X.° ±	X. ±								
		.X° ±	.X ±								
		.XX° ±	.XX ±								
		ANG ± 0,5°	.XXX ±								

**SMT PCB Jack RJ45 <8P8C>
Top Entry
NON Shielded**

REV.	DESCRIPTION	DATE	DRAWN
A	NEW	04.10.2013	Ryan
B	update	17.11.2015	Ronny



Recommended PCB Layout Top View
(Tolerance ±0.05)

Specifications

Electrical

Current rating: 1.5A
 Insulation resistance: 500MΩ min. @ 500V DC
 Voltage rating: 125V AC rms
 Withstanding voltage: 1000V AC rms 50Hz / Minute
 Contact resistance: 50mΩ max.

Materials

Contact: Copper Alloy t=0.20mm
 Plating: Sn on solder area,
 Au on contact area; entire contact Ni underplated
 Insulator: PA9T (Black) UL 94V-0
 Insert Insulator: PA46 (Black) UL 94V-0

Operating temperature: -40°C to +85°C
 Processing temperature: 250°C +0/-5°C
 for 10 seconds

Mechanical Requirements

Operating Life: 750 cycles min.



Cavity comply with FCC Rules and
 Regulations Part 68, Subpart F

Packing Reel

PART NUMBER	GOLD PLATING CONTACT AREA
MJT-188-T3S0-55/R	3μ"
MJT-188-T3S0-56/R	6μ"
MJT-188-T3S0-57/R	15μ"
MJT-188-T3S0-58/R	30μ"
MJT-188-T3S0-5H/R	50μ"

E-tec 2015 © - all rights reserved

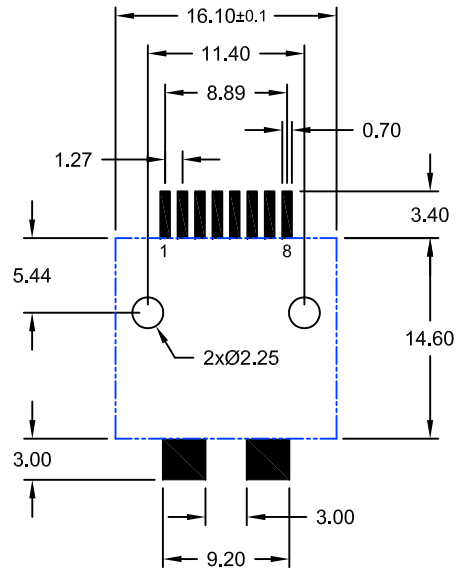
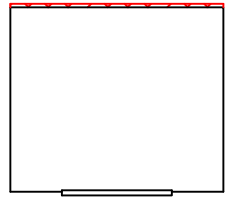
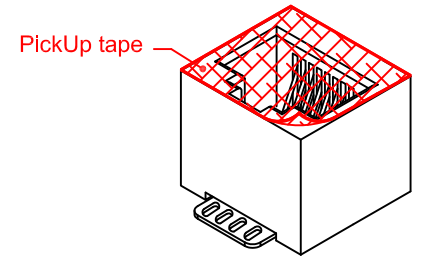
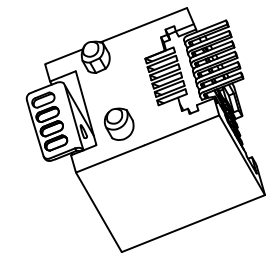
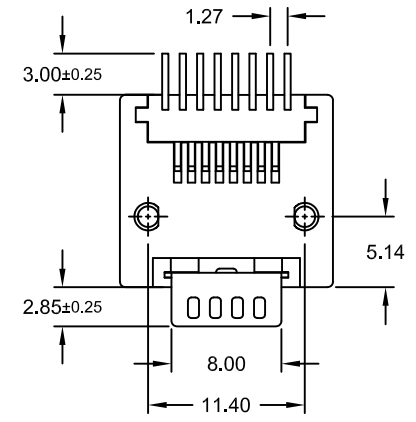
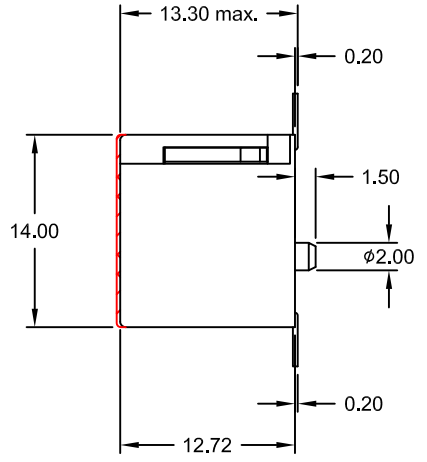
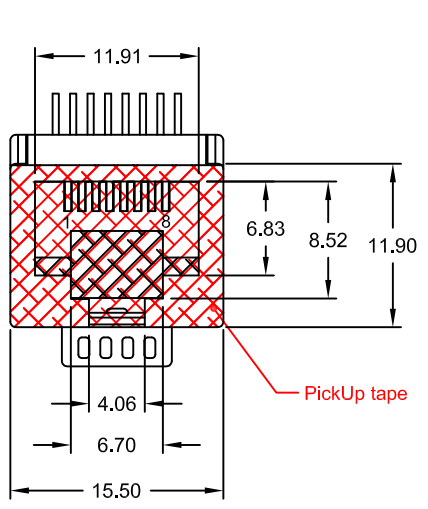


UNIT	GENERAL TOLERANCE		DRAWN	DATE	DWG. NO.	SHEET 1/1
mm	X.° ±	X. ±	Ryan	04.10.2013	1811502	REV. B
SCALE	.X° ±	.X ±	CHECK	DATE		
Free	.XX° ±	.XX ± 0.13	Ronny	17.11.2015		
	.XXX° ±	.XXX ±	APPROVE	DATE		
			Hogi	17.11.2015		

SERIES NO.	MJT-188-T3S0-xx/R
------------	-------------------

Top Entry SMT PCB Jack
RJ45 <8P8C> NON shielded
without locating pegs

REV.	DESCRIPTION	DATE	DRAWN
A	NEW	17.11.2015	Cherry



Recommended PCB Layout Top View
(Tolerance ±0.05)

Specifications

Electrical
 Current rating: 1.5A
 Insulation resistance: 500MΩ min. @ 500V DC
 Voltage rating: 125V AC rms
 Withstanding voltage: 1000V AC rms 50Hz / Minute
 Contact resistance: 50mΩ max.

Materials

Contact: Copper Alloy t=0.20mm
 Plating: Sn on solder area,
 Au on contact area; entire contact Ni underplated
 Insulator: PA9T (Black) UL 94V-0
 Insert Insulator: PA46 (Black) UL 94V-0
 Operating temperature: -40°C to +85°C
 Processing temperature: 250°C +0/-5°C
 for 10 seconds

Mechanical Requirements

Operating Life: 750 cycles min.

Cavity comply with FCC Rules and
 Regulations Part 68, Subpart F

Packing Reel



PART NUMBER	GOLD PLATING CONTACT AREA
MJT-188-T3S1-55/R	3μ"
MJT-188-T3S1-56/R	6μ"
MJT-188-T3S1-57/R	15μ"
MJT-188-T3S1-58/R	30μ"
MJT-188-T3S1-5H/R	50μ"

E-tec 2015 © - all rights reserved



UNIT	GENERAL TOLERANCE		DRAWN	DATE	DWG. NO.	SHEET 1/1
mm	X.° ±	X. ±	Cherry	17.11.2015	1811503	REV. A
SCALE	.X° ±	.X ±	CHECK	17.11.2015	SERIES NO.	
Free	.XX° ±	.XX ± 0.13	Hogi	17.11.2015	MJT-188-T3S1-xx/R	
	.XXX° ±	.XXX ±				

Top Entry SMT PCB Jack
 RJ45 <8P8C> NON shielded
 with locating pegs