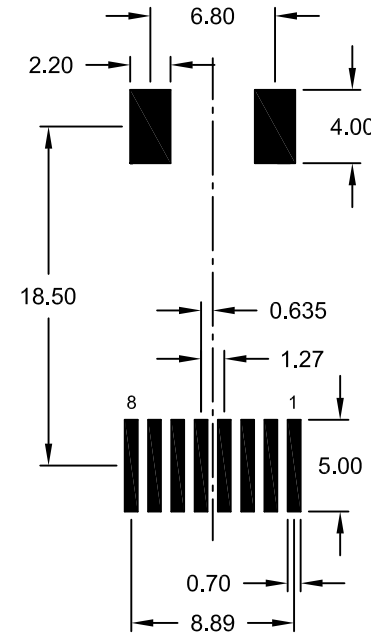
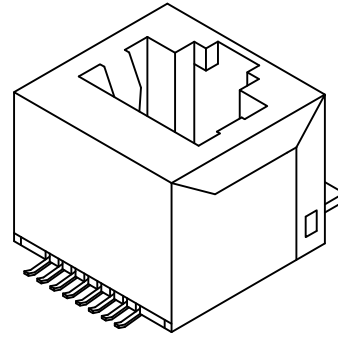
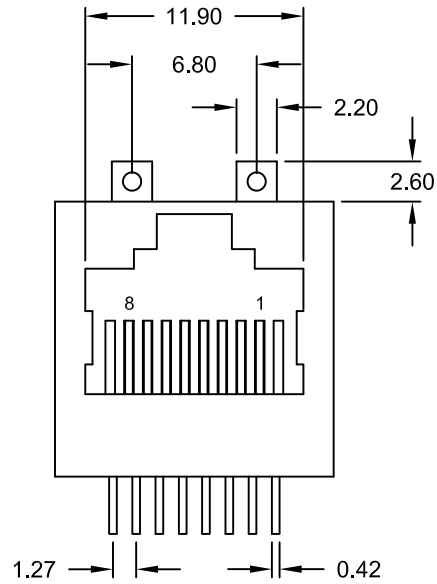
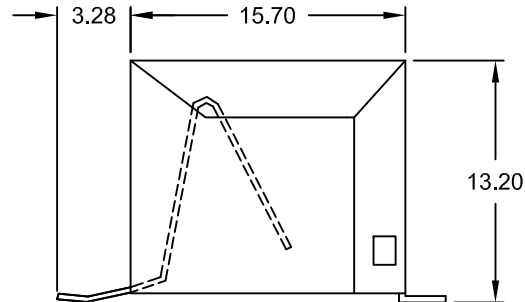
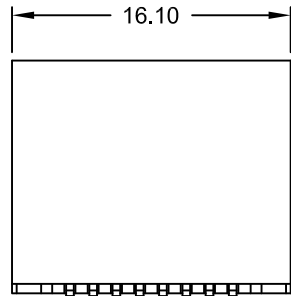


REV.	DESCRIPTION	DATE	DRAWN
A	NEW	03.10.2014	Ryan Chou



Recommended PCB Hole Layout
Top View
(PCB TOLERANCE ±0.05)



Materials

Contact: Phosphor Bronze (0.35x0.42mm)
Plating: Sn in solder area; Au in contact area
Insulator: Nylon 9T UL 94V-0 (Black)

Cavity conforms to FCC Rules and Registration PAR68, Subparts F

Specifications

Current rating: 1.5A
Insulation resistance: 500MΩ min.
Withstanding voltage: 1000V rms 60Hz / Minute
Contact resistance: 30mΩ max.
Operating temperature: 0°C to +70°C
Processing temperature: 250°C +0/-5°C for 10 seconds

PART NUMBER	GOLD PLATING CONTACT AREA
MJT-188-T4S0-96/CS	6μ"
MJT-188-T4S0-97/CS	15μ"
MJT-188-T4S0-98/CS	30μ"
MJT-188-T4S0-9H/CS	50μ"

UNIT mm	GENERAL TOLERANCE		DRAWN Ryan Chou	DATE 03.10.2014	DWG. NO. 1831500	SHEET 1/1
	X.° ±	.X° ±	CHECK Ronny	DATE 03.10.2014	Series NO. MJT-188-T4S0-9x/CS	REV. A
	X. ±	.X ±	APPROVE Hogi	DATE 03.10.2014		
	XX. ±	.XX ± 0.15				
SCALE Free		XXX. ±	.XXX ±			

Top Entry SMT RJ45 PCB Jack
<8P8C> short profile
fully shielded

