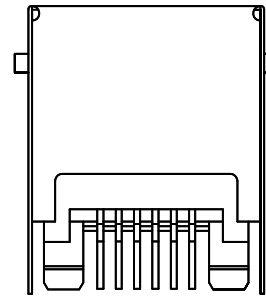
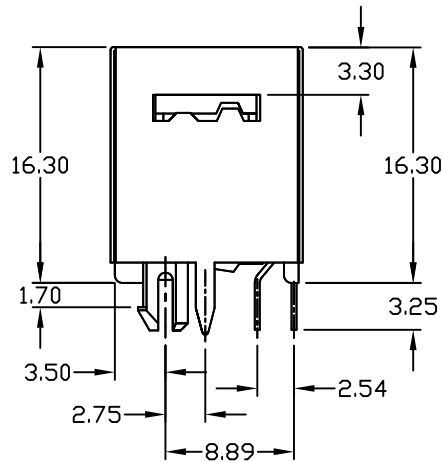
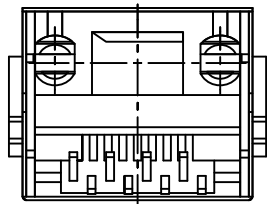
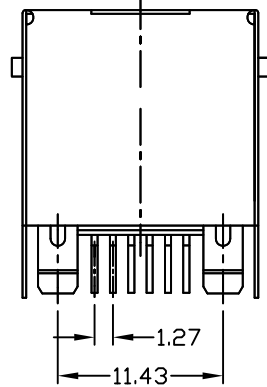
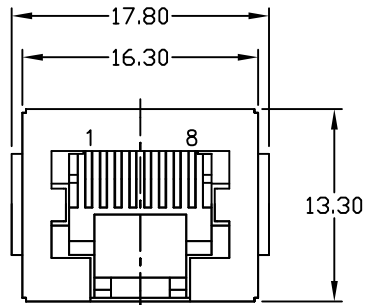
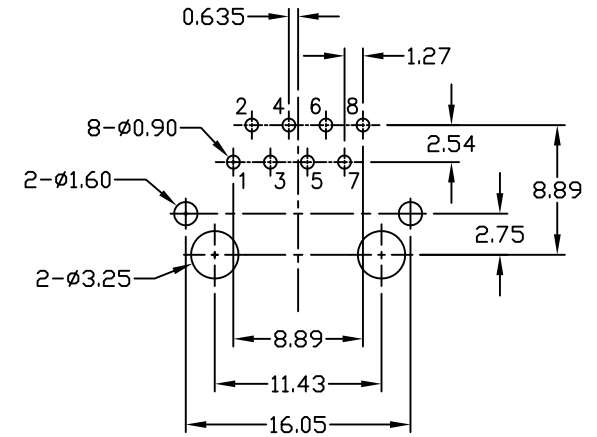


REV.	LOCAS.	DESCRIPTION	DATE	DRAWN
A		NEW	06.11.2008	RH
B		New DWG. No.	01.02.2012	Ronny



RECOMMENDED HOLE PATTERN TOP VIEW



SPECIFICATIONS

Current rating:	1.5A
Insulation resistance:	500MΩ min./500V DC
Dielectric withstanding:	1000V rms. 60Hz/Minute
Contact resistance:	40mΩ max./20mV DC
Operating temperature:	-40°C ~ +105°C
Insulator material:	Nylon PA6T UL94V-0 color: Black
Contact material:	Phosphor Bronze
Finish:	Gold plated on contact area, Tin on solder area
Shielded:	Brass, Nickel plated
Cavity conforms to FCC Rules and Registration PAR68, Subparts F	



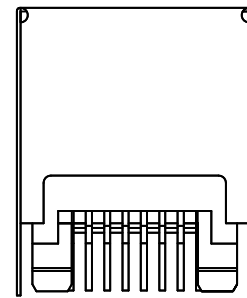
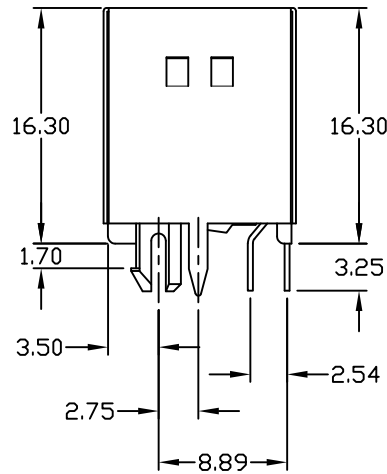
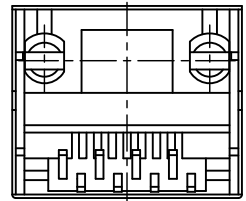
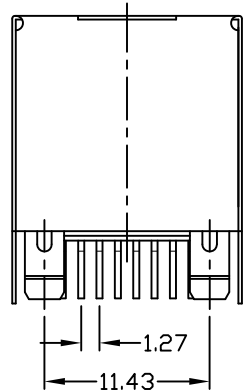
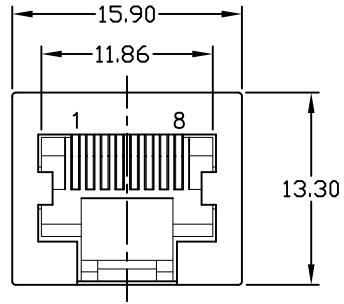
PART NUMBER	GOLD PLATING CONTACT AREA
MJT-188-H1S30-96/CS	6μ"
MJT-188-H1S30-9H/CS	50μ"



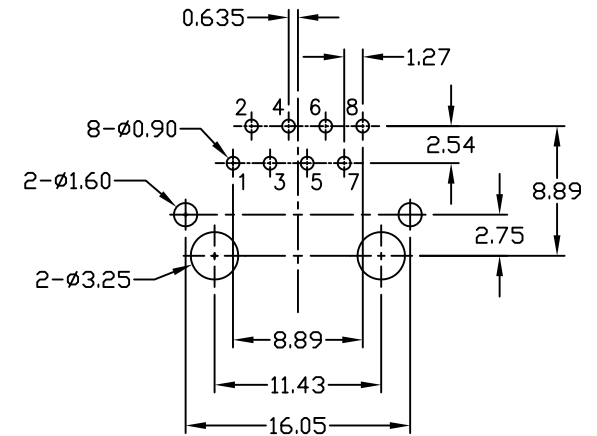
UNIT	SCALE	GENERAL TOLERANCE	DRAWN	DATE	DWG. NO.	SHEET 1/1
mm	Free	X.° ± X. ± 0.50	Ronny	06.11.2008	1431501	REV. B
		.X° ± .XX ± 0.25	Ronny	01.02.2012	SERIES NO.	
		ANG ± 3° .XXX ± 0.10	Hogi	01.02.2012	MJT-188-H1Sx0-9x/CS	

TOP ENTRY RJ45 PCB JACK <8P8C>
LOW PROFILE TYPE FULLY SHIELDED
with panel stop
NYLON Insulator

REV.	LOCAS.	DESCRIPTION	DATE	DRAWN
A		New	08.12.2008	Vinson
B		New DWG. No.	01.02.2012	Ronny



RECOMMENDED HOLE PATTERN TOP VIEW



SPECIFICATIONS

Current rating:	1.5A
Insulation resistance:	500MΩ min./500V DC
Dielectric withstanding:	1000V rms 60Hz/Minute
Contact resistance:	40mΩ max./20mV DC
Operating temperature:	-40°C ~ +105°C
Insulator material:	P.B.T. UL 94V-0 color: Black
Contact material:	Phosphor Bronze
Finish:	Gold plated on contact area, Tin on solder area
Shield:	Brass, Nickel plated

Cavity conforms to FCC Rules and Registration PAR68,
Subparts F



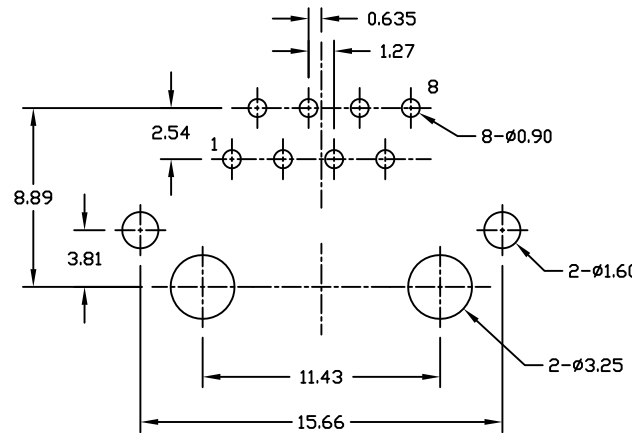
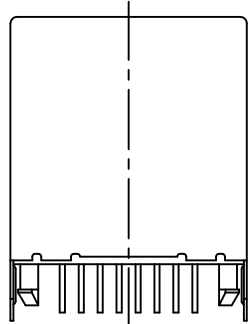
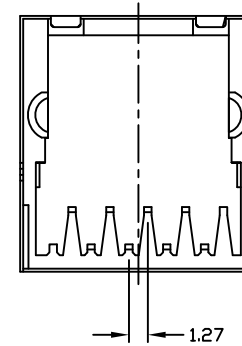
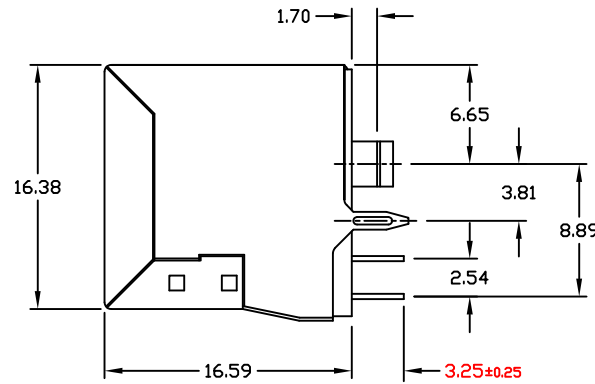
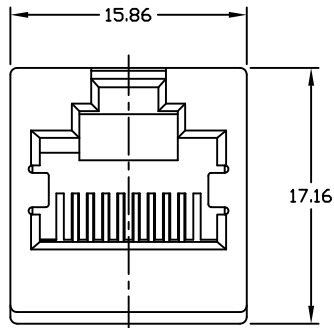
PART NUMBER	GOLD PLATING CONTACT AREA
MJT-188-S1S0-96/CS	6μ"
MJT-188-S1S0-97/CS	15μ"
MJT-188-S1S0-98/CS	30μ"
MJT-188-S1S0-9H/CS	50μ"

UNIT mm	GENERAL TOLERANCE		DRAWN Vinson	DATE 07.04.1993	DWG. NO.	SHEET 1/1
	X.° ±	X. ± 0.50	CHECK Ronny	DATE 01.02.2012	1431503	REV. B
	.XX° ±	.XX ± 0.38	APPROVE Hogi	DATE 01.02.2012	SERIES NO.	
	.XXX° ±	.XXX ± 0.10			MJT-188-S1S0-9x/CS	

TOP ENTRY RJ45 PCB JACK <8P8C>
LOW PROFILE TYPE FULLY SHIELDED



REV.	LOCAS.	DESCRIPTION	DATE	DRAWN
A		NEW	06.11.2008	RH
B		P/N -S979-9x/0CS → -S1S2-9x/8CS	05.01.2009	Ronny
C		New DWG, No.	01.02.2012	Ronny



RECCOMENDED HOLE LAYOUT

NOTE :

- ELECTRICAL:
 INSULATION RESISTANCE: 1000MΩ min.
 CONTACT RESISTANCE: 30mΩ max.
 CURRENT RATING: 1.5A max.
 VOLTAGE RATING: 125V RMS
 DIELECTRIC STRENGTH: 1000V RMS 60 Hz, 1 Min.
- MATERIAL:
 HOUSING -GF POLYESTER UL94V-0
 STANDARD COLOR-BLACK
 CONTACT -Phos-Bronze -t=0,35mm
 PLATING -TIN/GOLD IN SOLDER AREA
 SHIELD -COPPER ALLOY -t=0,50mm
 PLATING -NICKEL
- CAVITY CONFIRMS TO FCC RULES AND REGISTRATION PAR68, SUBPARTS F.
- DURABILITY: 500 Mating cycles min.
- TEMPERATURE RANGE: STORAGE -40°C to +85°C
 OPERATING 0°C to +70°C

NOTE:

Same as Type
 MJT-188-S1S1-9x/8CS
 except solder tail length

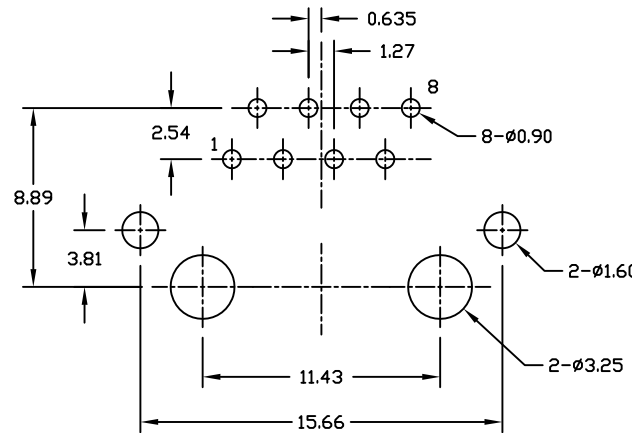
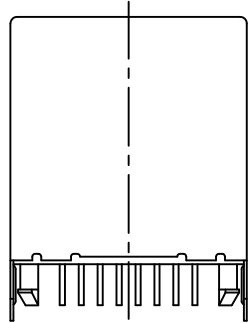
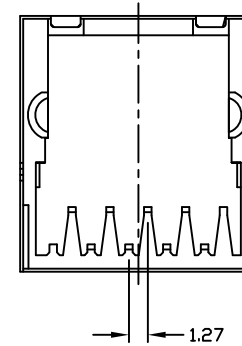
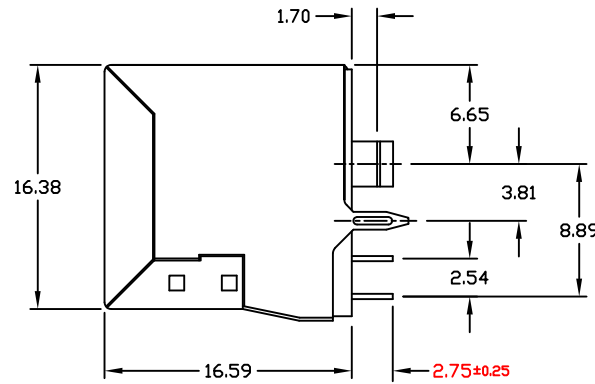
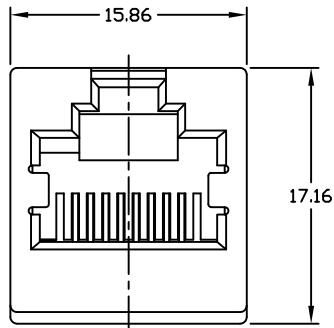
PART NUMBER	GOLD PLATING CONTACT AREA
MJT-188-S1S2-96/8CS	6μ"
MJT-188-S1S2-97/8CS	15μ"
MJT-188-S1S2-98/8CS	30μ"
MJT-188-S1S2-9H/8CS	50μ"



UNIT	GENERAL TOLERANCE		DRAWN	DATE	DWG. NO.	SHEET 1/1
mm	X.° ±	X. ± 0.50	RH	06.11.2008	1431505	REV. C
SCALE	.X° ±	.X ± 0.38	CHECK	01.02.2012		
Free	.XX° ±	.XX ± 0.25	APPROVE	01.02.2012	SERIES NO.	
	ANG ± 3°	.XXX ± 0.10	Hogi		MJT-188-S1S2-9x/8CS	

TOP ENTRY RJ45 PCB JACK <8P8C>
 LOW PROFILE TYPE
 FULLY SHIELDED
 3.25mm soldertail length

REV.	LOCAS.	DESCRIPTION	DATE	DRAWN
A		NEW	06.11.2008	RH
B		P/N -S977-9x/0CS -> -S1S1-9x/8CS	05.01.2009	Ronny
C		New DWG. No.	01.02.2012	Ronny



RECCOMENDED HOLE LAYOUT

NOTE :

- ELECTRICAL:
 INSULATION RESISTANCE: 1000MΩ min.
 CONTACT RESISTANCE: 30mΩ max.
 CURRENT RATING: 1.5A max.
 VOLTAGE RATING: 125V RMS
 DIELECTRIC STRENGTH: 1000V RMS 60 Hz, 1 Min.
- MATERIAL:
 HOUSING -GF POLYESTER UL94V-0
 STANDARD COLOR-BLACK
 CONTACT -Phos-Bronze -t=0,35mm
 PLATING -TIN/GOLD IN SOLDER AREA
 SHIELD -COPPER ALLOY -t=0,50mm
 PLATING -NICKEL
- CAVITY CONFIRMS TO FCC RULES AND REGISTRATION PAR68, SUBPARTS F.
- DURABILITY: 500 Mating cycles min.
- TEMPERATURE RANGE: STORAGE -40°C to +85°C
 OPERATING 0°C to +70°C

NOTE:

Same as Type
 MJT-188-S1S2-9x/8CS
 except solder tail length

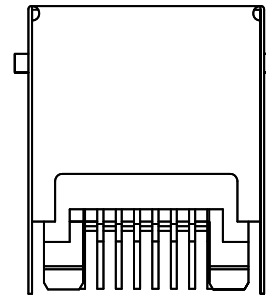
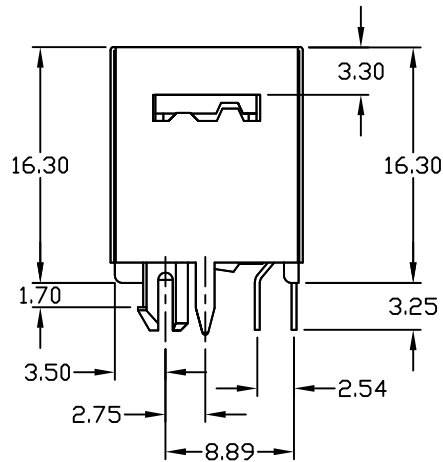
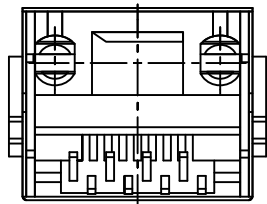
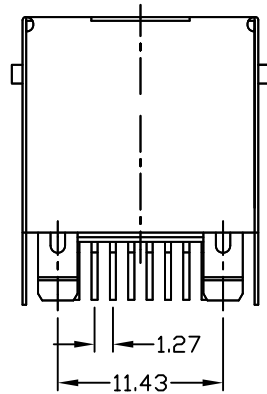
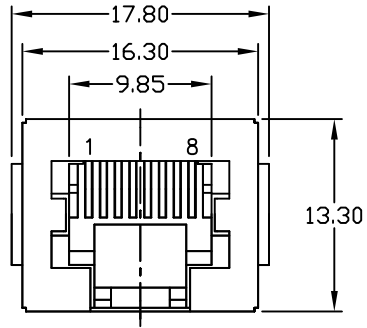
PART NUMBER	GOLD PLATING CONTACT AREA
MJT-188-S1S1-96/8CS	6μ"
MJT-188-S1S1-97/8CS	15μ"
MJT-188-S1S1-98/8CS	30μ"
MJT-188-S1S1-9H/8CS	50μ"



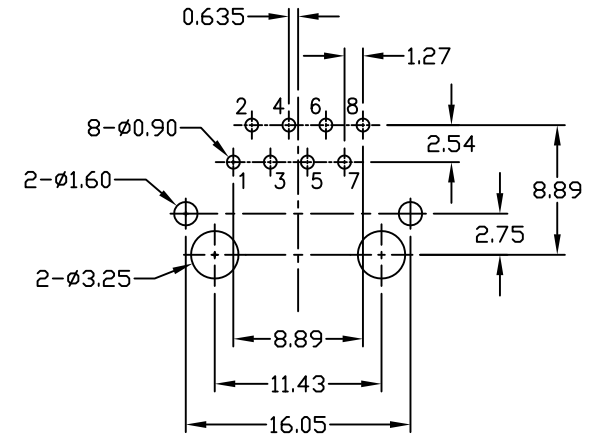
UNIT	GENERAL TOLERANCE		DRAWN	DATE	DWG. NO.	SHEET 1/1
mm	X.° ±	X. ± 0.50	RH	06.11.2008	1431504	
SCALE	.X° ±	.X ± 0.38	CHECK	01.02.2012	SERIES NO.	REV. C
Free	.XX° ±	.XX ± 0.25	APPROVE	01.02.2012	MJT-188-S1S1-9x/8CS	
	ANG ± 3°	.XXX ± 0.10	Hogi			

TOP ENTRY RJ45 PCB JACK <8P8C>
 LOW PROFILE TYPE
 FULLY SHIELDED
 2.75mm soldertail length

REV.	LOCAS.	DESCRIPTION	DATE	DRAWN
A		NEW	06.11.2008	RH
B		New DWG. No.	01.02.2012	Ronny



RECOMMENDED HOLE PATTERN
TOP VIEW



SPECIFICATIONS

Current rating: 1.5A
 Insulation resistance: 500MΩ min./500V DC
 Dielectric withstanding: 1000V rms 60Hz/Minute
 Contact resistance: 40mΩ max./20mV DC
 Operating temperature: -40°C ~ +105°C
 Insulator material: P.B.T. UL 94V-0 color: Black
 Contact material: Phosphor Bronze
 Finish: Gold plated on contact area, Tin on solder area
 Shield: Brass, Nickel plated
 Cavity conforms to FCC Rules and Registration PAR68, Subparts F



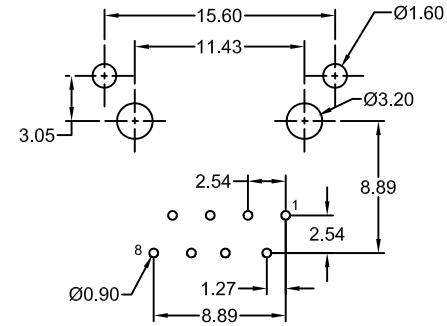
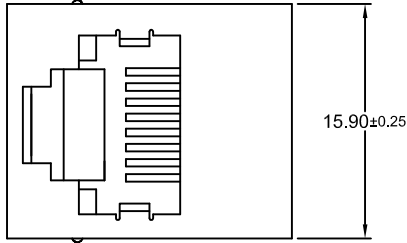
PART NUMBER	GOLD PLATING CONTACT AREA
MJT-188-S1S30-96/CS	6μ"
MJT-188-S1S30-97/CS	15μ"
MJT-188-S1S30-98/CS	30μ"
MJT-188-S1S30-9H/CS	50μ"



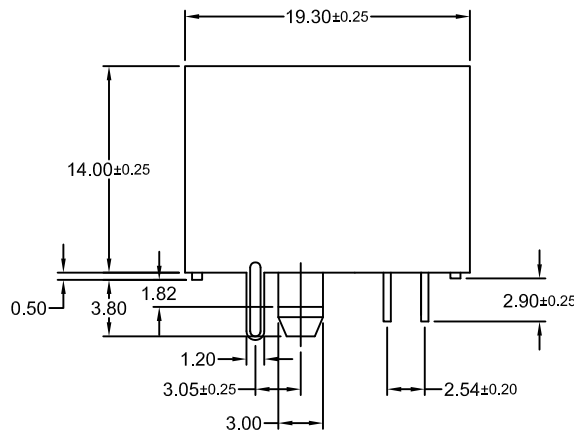
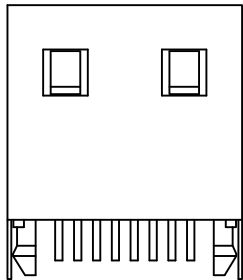
UNIT	mm	GENERAL TOLERANCE		DRAWN	DATE	DWG. NO.	SHEET 1/1
SCALE	Free	X.° ±	X. ± 0.50	RH	06.11.2008	1431507	REV. B
		.X° ±	.X ± 0.38	Ronny	01.02.2012	SERIES NO.	
		.XX° ±	.XX ± 0.25	APPROVE	DATE	MJT-188-S1S3x-9x/CS	
		ANG ± 3°	.XXX ± 0.10	Hogi	01.02.2012		

TOP ENTRY RJ45 PCB JACK <8P8C>
 LOW PROFILE TYPE FULLY SHIELDED
 with panel stop

REV.	DESCRIPTION	DRAWN	DATE
A	Release	Ryan Chou	08.03.2011
B	New DWG. No.	Ronny	01.02.2012



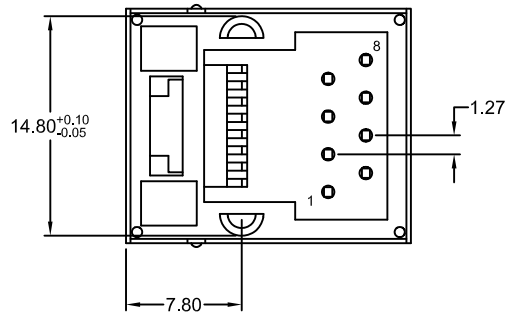
Recommended PCB Hole Layout
(PCB TOLERANCE ±0.05)



SPECIFICATIONS

Current rating: 1.5A
 Insulation resistance: 500MΩ min./500V DC
 Dielectric withstanding: 1000V rms 60Hz/Minute
 Contact resistance: 40mΩ max./20mV DC
 Operating temperature: -40°C ~ +105°C
 Insulator material: PBT UL 94V-0 color: Black
 Contact material: Phosphor Bronze
 Finish: Gold plated
 Shield: 0.25mm Thick copper alloy plated with Nickel

Cavity confirms to FCC Rules and Registration PAR68, Subparts F



PART NUMBER	GOLD PLATING CONTACT AREA
MJT-188-S53M0-55/LCS	3μ"
MJT-188-S53M0-56/LCS	6μ"
MJT-188-S53M0-57/LCS	15μ"
MJT-188-S53M0-58/LCS	30μ"
MJT-188-S53M0-5H/LCS	50μ"

UNIT	mm
SCALE	Free

GENERAL TOLERANCE	
X.° ± 3°	.X° ±
X. ±	.X0 ± 0.38
XX. ±	.XX ± 0.25
XXX. ±	.XXX ±

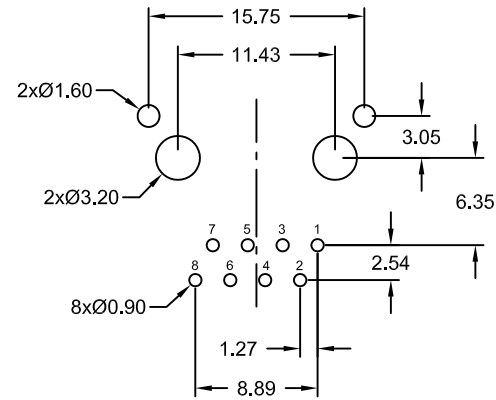
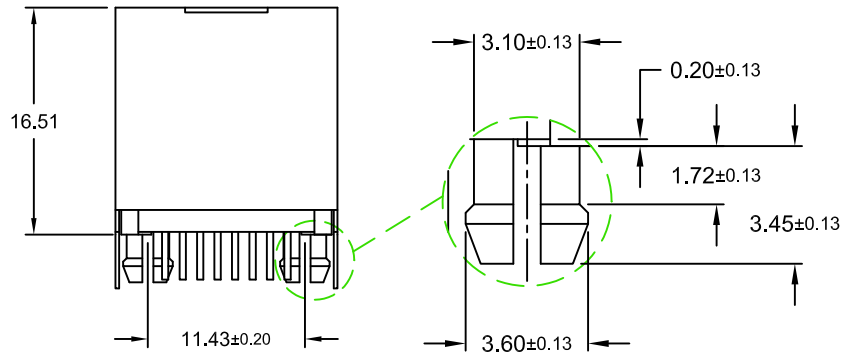
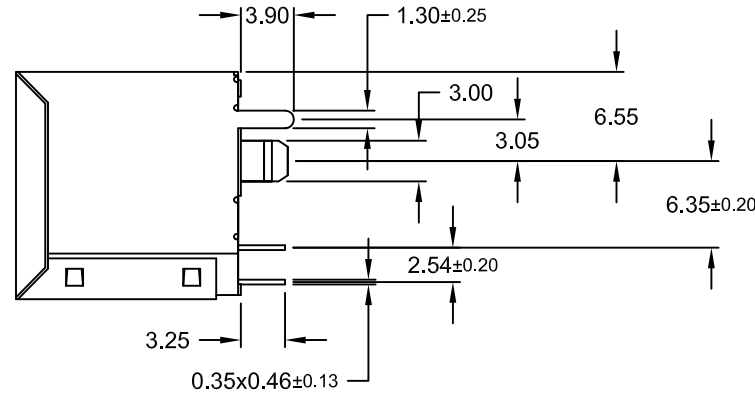
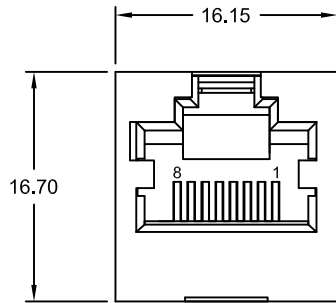
DRAWN	DATE
Ryan Chou	08.03.2012
CHECK	DATE
Ronny	01.02.2012
APPROVE	DATE
Hogi	01.02.2012

DWG. NO.	SHEET 1/1
1431509	
Series NO.	REV. B
MJT-188-S53M0-5x/LCS	

RJ45 PCB JACK <8P8C>
 TOP ENTRY MEDIUM PROFILE
 fully shielded CAT 5 Type



REV.	DESCRIPTION	DATE	DRAWN
A	New	02.03.2009	RH
C	update / New DWG. No.	18.02.2013	Ronny
D	PN -S146-xx/0CS -> -S3S0-xx/LCS	04.07.2013	Ronny
E	general update	21.09.2015	Ronny
F	add option PA46	05.12.2016	Ryan



Recommended PCB Hole Layout Top View
(Tolerance ±0.05)



Specifications

Electrical

Current rating: 1.5A max.
Insulation resistance: 200MΩ min. @500V DC
Contact resistance: 30mΩ max.
Voltage rating: 120V AC
Withstanding voltage: 1000V AC rms 60 sec. min.

Material

Contact: Phosphor Bronze
Plating: Au flash on solder,
Au on contact area see order code;
entire contact Ni underplated
Shield: Brass; 20μ" Ni plated
Housing: PBT or PA46 UL 94V-0 (Black)
Insert: PA46 UL 94V-0 (Black)

Operating temperature: -40°C to +85°C

Cavity comply with FCC Rules and
Regulations Part 68, Subpart F

Mechanical Requirements

Operating life: 750 cycles min.

0 = PBT
1 = PA46
Insulator Options

PART NUMBER	GOLD PLATING CONTACT AREA
MJT-188-S3Sx-55/LCS	flash
MJT-188-S3Sx-56/LCS	6μ"
MJT-188-S3Sx-57/LCS	15μ"
MJT-188-S3Sx-58/LCS	30μ"
MJT-188-S3Sx-5H/LCS	50μ"

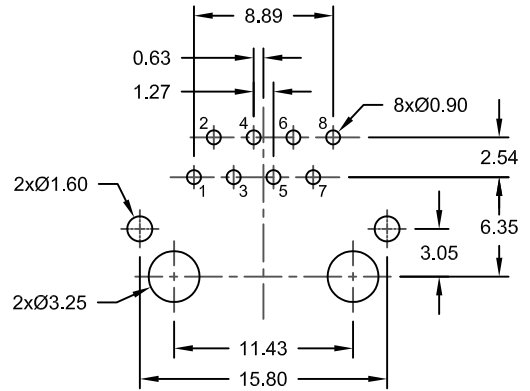
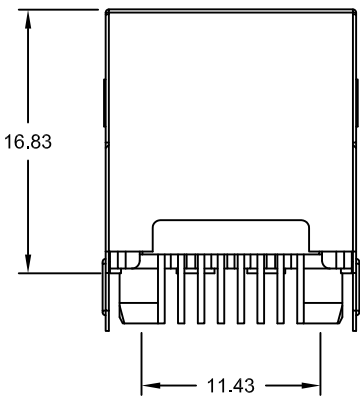
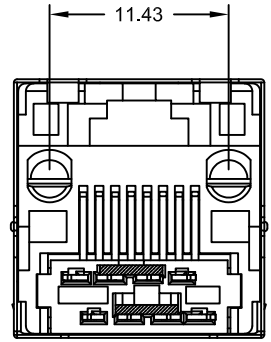
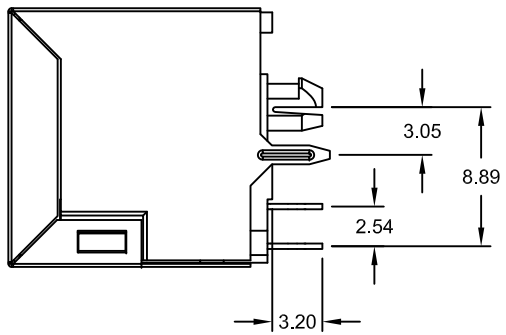
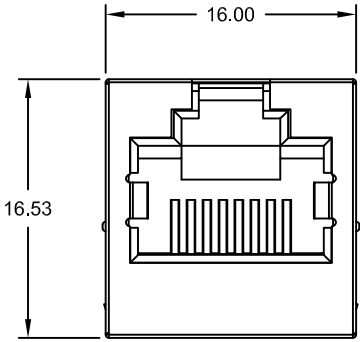
E-tec 2016 © - all rights reserved



UNIT	GENERAL TOLERANCE		DRAWN	DATE	DWG. NO.	SHEET 1/1
mm	X.° ±	X. ±	RH	02.03.2009	1431510	REV. F
SCALE	.X° ±	.X ±	CHECK	05.12.2016	SERIES NO.	
Free	.XX° ±	.XX ± 0.25	APPROVE	08.12.2016	MJT-188-S3Sx-xx/LCS	
	.XXX° ±	.XXX ±	Hogi			

Top Entry PCB Jack
RJ45 <8P/8C>
fully shielded

REV.	DESCRIPTION	DATE	DRAWN
A	New	14.05.2014	Ronny



Recommended PCB Layout
Top View
(Tolerance ±0.05)

Specifications

Electrical

Current rating: 1.5A
 Insulation resistance: 1000MΩ min. @ 500V DC
 Voltage rating: 125V AC RMS
 Withstanding voltage: 1000V RMS 60Hz/Minute
 Contact resistance: 40mΩ max.

Material

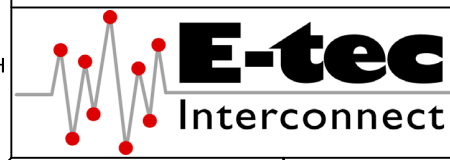
Contact: Phosphor Bronze
 Plating: Sn/Au over Ni
 Shield: Brass
 Plating: Ni
 Insulator: PBT (black) UL 94V-0

Operating temperature: -20°C to +75°C
 Storage temperature: -40°C to +85°C

Cavity comply with FCC Rules and
 Regulations Part 68, Subpart F



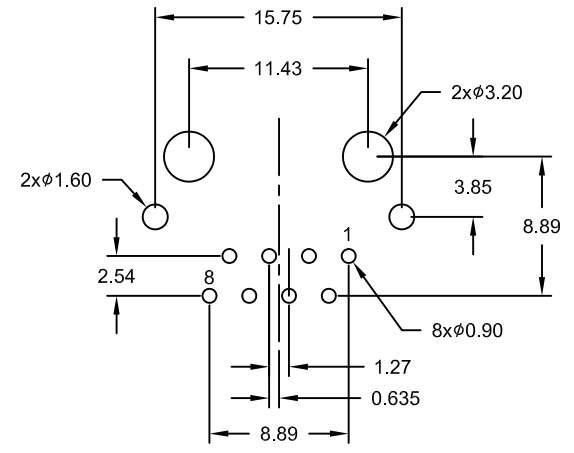
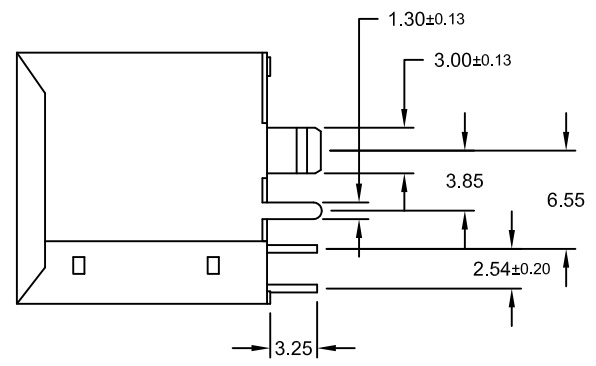
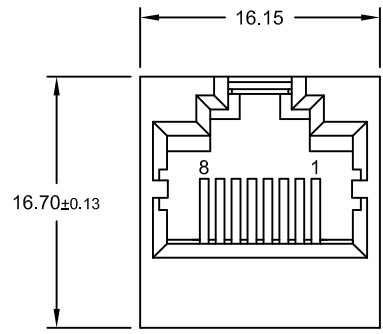
PART NUMBER	GOLD PLATING CONTACT AREA
MJT-188-S6DS-96/KCS	6μ"
MJT-188-S6DS-97/KCS	15μ"
MJT-188-S6DS-98/KCS	30μ"
MJT-188-S6DS-9H/KCS	50μ"



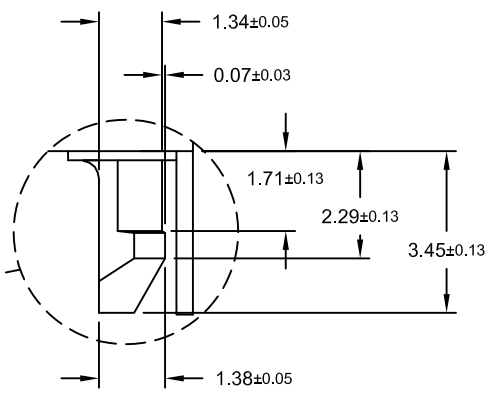
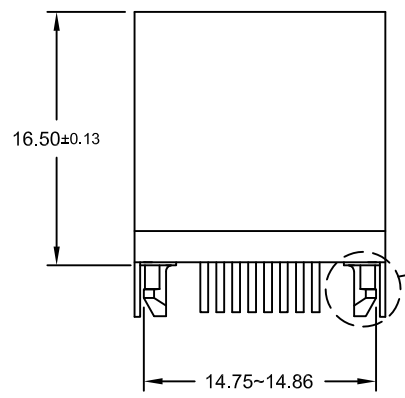
UNIT mm	GENERAL TOLERANCE		DRAWN Ronny	DATE 14.05.2014	DWG. NO. 1431512	SHEET 1/1
	X.° ±	X. ±	CHECK Hogi	DATE 14.05.2014	SERIES NO. MJT-188-S6DS-9x/KCS	REV. A
	.XX° ±	.XX ± 0.25	APPROVE Hogi	DATE 14.05.2014		
	.XXX° ±	.XXX ±				
SCALE Free						

Top Entry RJ45 PCB Jack
 <8P8C> **CAT 6x Type**
 with induction plates
 fully shielded

REV.	DESCRIPTION	DATE	DRAWN
A	NEW	21.05.2014	Ryan



Recommended PCB Layout
Top View
(Tolerance ±0.05)



Material

Contact: Phosphor Bronze t=0.35mm
 Plating: Au/Au over Ni
 Shield: Copper Alloy t=0.25mm
 Plating: Ni
 Insulator: PBT (black) UL 94V-0

Operating temperature: -20°C to +75°C
 Storage temperature: -40°C to +85°C

Cavity confirms to FCC Rules and
 Registration PAR 68, Subpart F

Specifications
Electrical

Current rating: 1.5A
 Insulation resistance: 1000MΩ min. @ 500V DC
 Voltage rating: 125V AC RMS
 Withstanding voltage: 1000V RMS 60Hz/Minute
 Contact resistance: 40mΩ max.

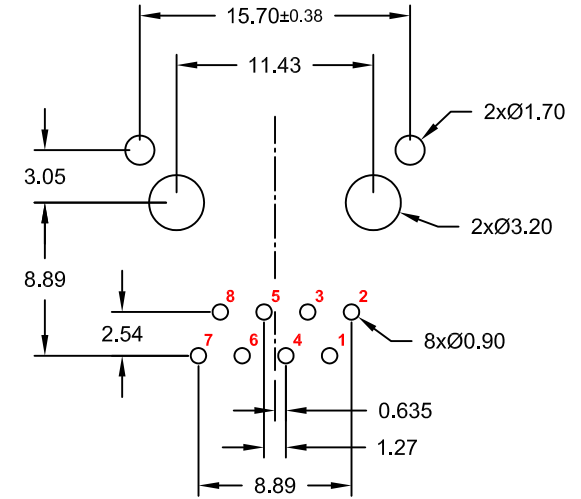
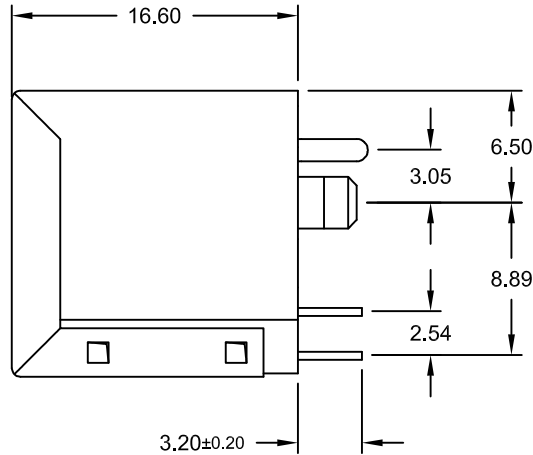
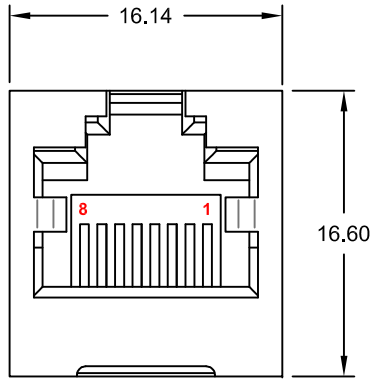
PART NUMBER	GOLD PLATING CONTACT AREA
MJT-188-S3S0-56/KCS	6μ"
MJT-188-S3S0-57/KCS	15μ"
MJT-188-S3S0-58/KCS	30μ"
MJT-188-S3S0-5H/KCS	50μ"



UNIT	GENERAL TOLERANCE		DRAWN	DATE	DWG. NO.	SHEET 1/1
mm	X.° ±	X. ±	Ryan	21.05.2014	1431513	REV. A
SCALE	.X° ±	.X ± 0.38	CHECK	21.05.2014	SERIES NO.	
Free	.XX° ±	.XX ± 0.25	Ronny		MJT-188-S3S0-xx/KCS	
	.XXX° ±	.XXX ±	APPROVE	21.05.2014		
			Hogi			

Top Entry RJ45 PCB Jack
<8P8C>
fully shielded

REV.	DESCRIPTION	DATE	DRAWN
A	New	17.02.2016	Ronny



Recommended PCB Layout Top View



PART NUMBER	GOLD PLATING CONTACT AREA
MJT-188T-S5KS0-98/LCS	30µ"
MJT-188T-S5KS0-9H/LCS	50µ"

Specifications

Electrical
 Current rating: 1.5A
 Insulation resistance: 500MΩ min. @ 500V DC
 Contact resistance: 30mΩ max.
 Voltage rating: 125V AC
 Withstanding voltage: 1000V AC rms 50Hz or 60Hz / Minute

Material

Contact: Phosphor Bronze t=0.35mm
 Plating: Sn on solder area;
 Au on contact area;
 entire contact Ni underplated
 Shield: Copper Alloy t=0.20; Ni plated
 Insulator: PBT (black) UL 94V-0

Operating temperature: -40°C to +85°C
 Storage temperature: -40°C to +85°C

Cavity conform to FCC rules and Regulations Part 68, Subpart F

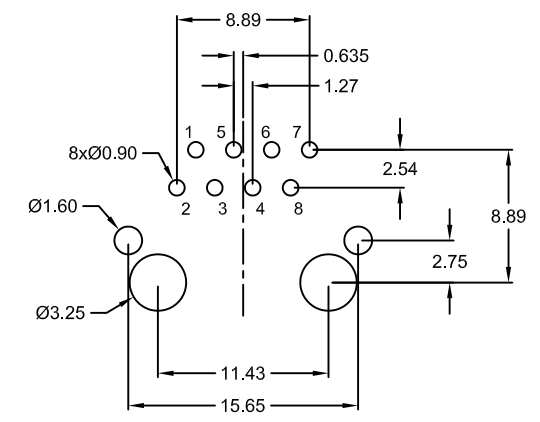
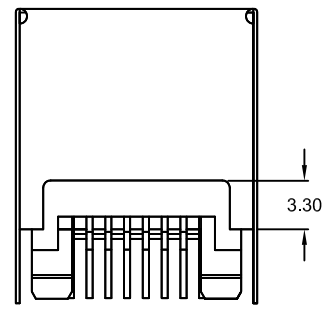
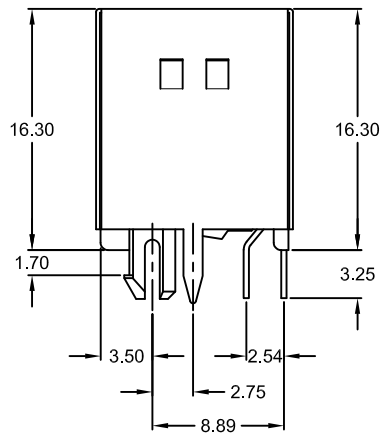
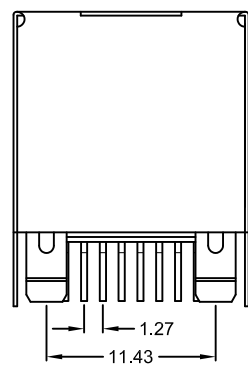
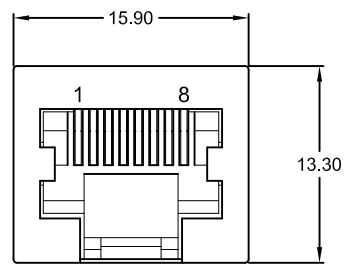
E-tec 2016 © - all rights reserved



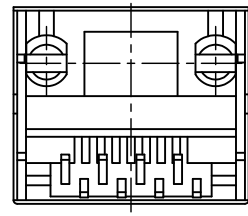
UNIT	SCALE	GENERAL TOLERANCE	DRAWN	DATE	DWG. NO.	SHEET 1/1
mm	Free	X.° ± X. ±	Ronny	17.02.2016	1431515	REV. A
		.X° ± .X ±	Hogi	17.02.2016	SERIES NO.	
		.XX° ± .XX ± 0.25	APPROVE	DATE	MJT-188T-S5KS0-9x/LCS	
		.XXX° ± .XXX ±	Hogi	17.02.2016		

Top Entry RJ45 PCB Jack
<8P8C> CAT 5 Type fully shielded
Contacts mating side to solder side twisted

REV.	DESCRIPTION	DATE	DRAWN
A	NEW	25.09.2015	Ryan



Recommended PCB Layout Top View
(Tolerance ±0.05)



PART NUMBER	GOLD PLATING CONTACT AREA
MJT-188-S51S0-96/KCS	6µ"
MJT-188-S51S0-97/KCS	15µ"
MJT-188-S51S0-98/KCS	30µ"
MJT-188-S51S0-9H/KCS	50µ"



Specifications

Electrical
 Current rating: 1.5A
 Insulation resistance: 500MΩ min.
 Withstanding voltage: 1000V rms 60Hz / Minute
 Contact resistance: 40mΩ max.

Material

Contact: Phosphor Bronze
 Plating: Sn on solder area, Au on contact area entire contact Ni underplated
 Shield: Brass; Ni plated
 Insulator: PBT (black) UL 94V-0

Temperature range: -40°C to +85°C

Cavity comply with FCC Rules and Regulations Part 68, Subpart F

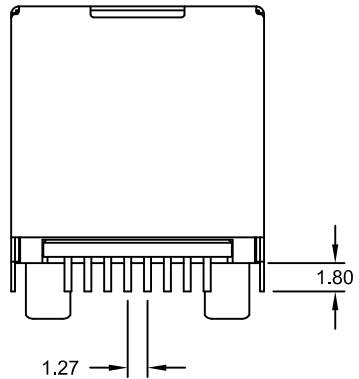
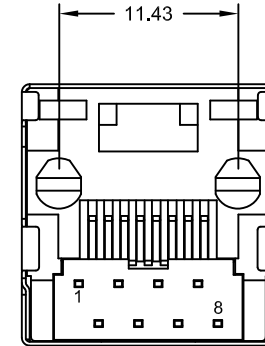
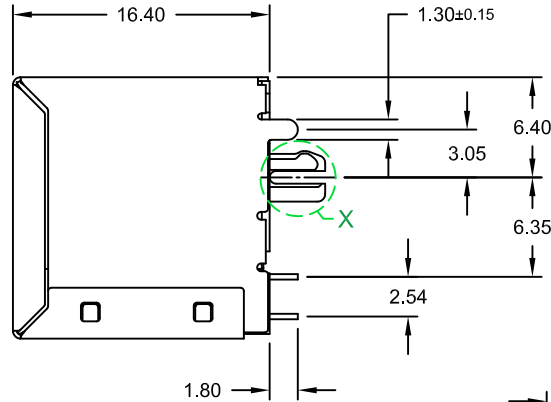
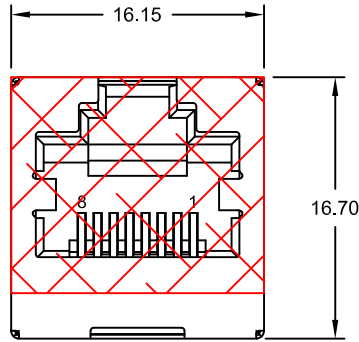
E-tec 2015 © - all rights reserved



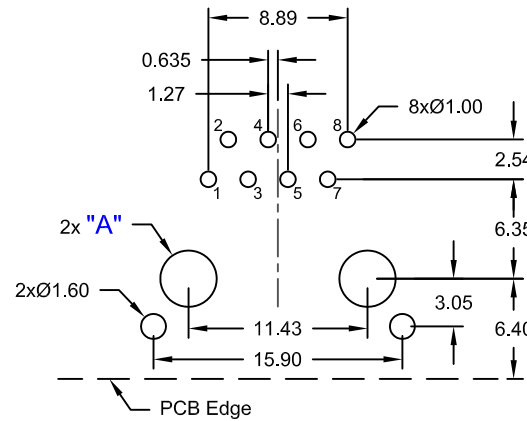
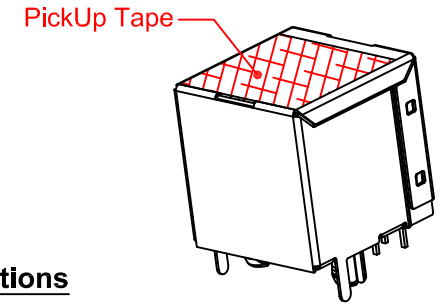
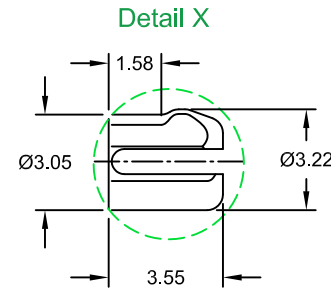
UNIT mm	GENERAL TOLERANCE		DRAWN Ryan	DATE 25.09.2015	DWG. NO. 1431514	SHEET 1/1
	X.° ±	X. ±	CHECK Ronny	DATE 29.09.2015	SERIES NO. MJT-188-S51S0-9x/KCS	REV. A
	.X° ±	.XX ± 0.25	APPROVE Hogi	DATE 29.09.2015		
	.XXX° ±	.XXX ±				

Top Entry RJ45 PCB Jack
 <8P8C< **CAT 5 Type**
 Low profile type fully shielded

REV.	DESCRIPTION	DATE	DRAWN
A	New	22.02.2016	Ronny



DIM "A"	Solder Process
Ø3.60	IR-Reflow
Ø3.20	Wafer



Recommended PCB Layout
Top View
(Tolerance ±0.05)

Specifications

Electrical

Current rating: 1.5A
Insulation resistance: 500MΩ min.
Contact resistance: 50mΩ max.
Withstanding voltage: 1000V AC / Minute

Material

Contact: Copper Alloy t=0.35mm
Plating: Sn/Au over Ni
Shield: Copper Alloy
Plating: Ni
Insulator: LCP (black) UL 94V-0



Operating temperature: -20°C to +70°C
Storage temperature: -40°C to +85°C

Cavity comply with FCC Rules and
Regulations Part 68, Subpart F

PART NUMBER	GOLD PLATING CONTACT AREA
MJT-188-SR0S0-96/LCS	6μ"
MJT-188-SR0S0-97/LCS	15μ"
MJT-188-SR0S0-98/LCS	30μ"
MJT-188-SR0S0-9H/LCS	50μ"

UNIT mm	GENERAL TOLERANCE		DRAWN Ronny	DATE 22.02.2016	DWG. NO. 1431516	SHEET 1/1	
	X.° ±	X. ±					
	SCALE Free	.X° ±	.X ±	CHECK Hogi	DATE 22.02.2016	SERIES NO. MJT-188-SR0S0-9x/LCS	REV. A
		.XX° ±	.XX ± 0.25				
	.XXX° ±	.XXX ±	APPROVE Hogi	DATE 22.02.2016			

Top Entry RJ45 PCB Jack
<8P8C> THR (THT) Type
fully shielded

