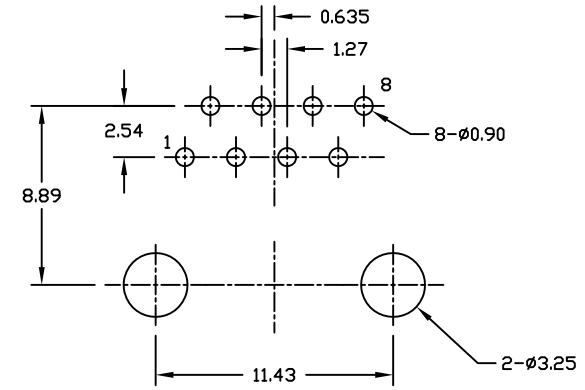
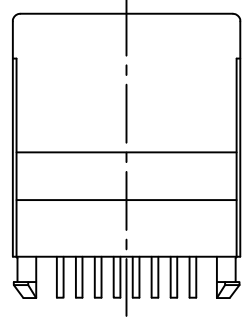
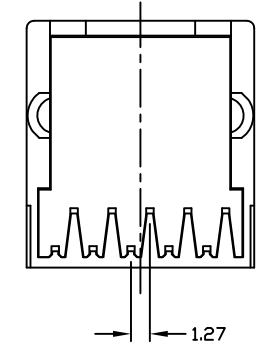
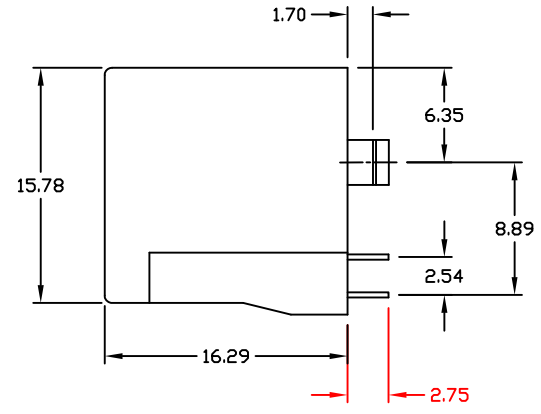
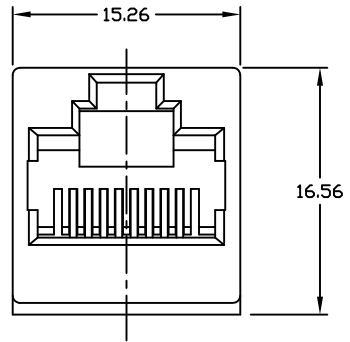


REV.	LOCAS.	DESCRIPTION	DATE	DRAWN
A		NEW	06.11.2008	YANG
B		New DWG. No.	01.02.2012	Ronny



RECCOMENDED HOLE LAYOUT

- NOTE :**
- ELECTRICAL:**
INSULATION RESISTANCE: 1000MΩ min.
CONTACT RESISTANCE: 30mΩ max.
CURRENT RATING: 1.5A max.
VOLTAGE RATING: 125V RMS
DIELECTRIC STRENGTH: 1000V RMS 60 Hz, 1 Min.
 - MATERIAL:**
HOUSING -GF POLYESTER UL94V-0
STANDARD COLOR-BLACK
CONTACT -Phos-Bronze -t=0.35mm
PLATING -TIN/GOLD IN SOLDER AREA
 - CAVITY CONFIRMS TO FCC RULES AND REGISTRATION PAR68, SUBPARTS F.**
 - DURABILITY:** 500 Mating cycles min.
 - TEMPERATURE RANGE:** STORAGE -40°C to +85°C
OPERATING 0°C to +70°C

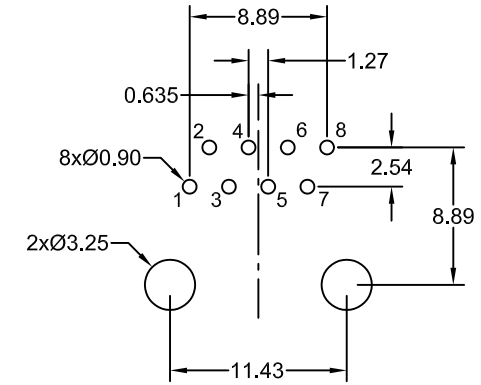
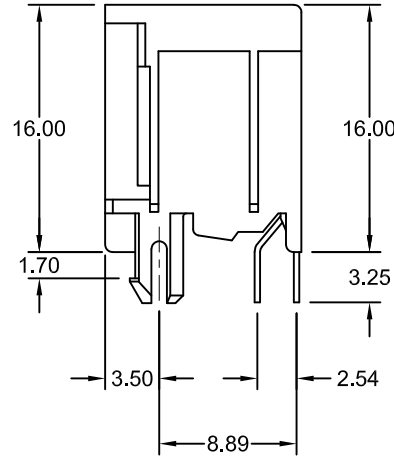
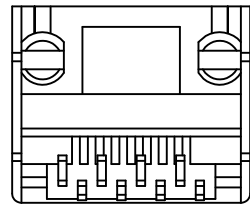
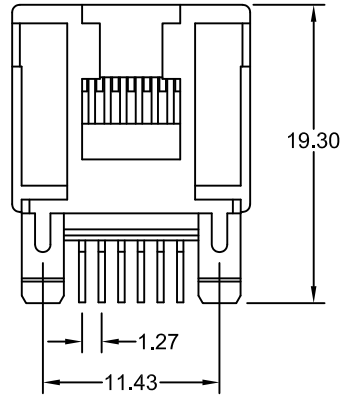
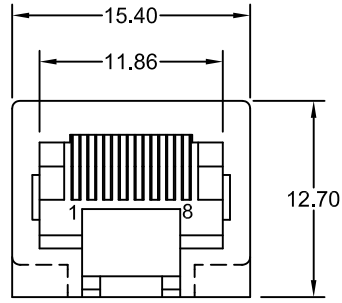
PART NUMBER	GOLD PLATING CONTACT AREA
MJT-188-S1S1-96	6μ"
MJT-188-S1S1-97	15μ"
MJT-188-S1S1-98	30μ"
MJT-188-S1S1-9H	50μ"



UNIT	mm	GENERAL TOLERANCE		DRAWN	DATE	DWG. NO.	SHEET 1/1
SCALE	Free	X.° ±	X. ± 0.50	YANG	06.11.2008	1411501	REV. B
		.X° ±	.X ± 0.38	CHECK	DATE	SERIES NO.	
		.XX° ±	.XX ± 0.25	Ronny	01.02.2012	MJT-188-S1S1-9x	
		ANG ± 3°	.XXX ± 0.10	APPROVE	DATE		
				Hogi	01.02.2012		

TOP ENTRY RJ45 PCB JACK <8P8C>
LOW PROFILE TYPE
NON SHIELDED
2.75mm soldertail length

REV.	DESCRIPTION	DATE	DRAWN
A	New	06.11.2008	RH
B	New DWG. No.	01.02.2012	Ronny
C	update	09.12.2015	Ronny



Recommended PCB Layout Top View
(Tolerance ±0.05)



PART NUMBER	GOLD PLATING CONTACT AREA
MJS-188-S1S0-96	6µ"
MJS-188-S1S0-97	15µ"
MJS-188-S1S0-98	30µ"
MJS-188-S1S0-9H	50µ"

Specifications

Electrical

Current rating: 1.5A
 Insulation resistance: 500MΩ min. @ 500V DC
 Voltage rating: 125V AC rms
 Withstanding voltage: 1000V AC rms 50Hz / Minute
 Contact resistance: 50mΩ max.

Materials

Contact: Phosphor Bronze
 Plating: Sn on solder area,
 Au on contact area;
 entire contact Ni underplated
 Insulator: PBT (Black) UL 94V-0
 Storage temperature: -40°C to +85°C
 Operating temperature: 0°C to +70°C

Mechanical Requirements

Operating Life: 750 cycles min.
 Cavity comply with FCC Rules and
 Regulations Part 68, Subpart F

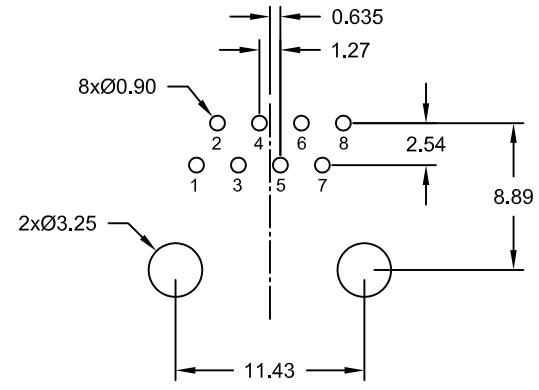
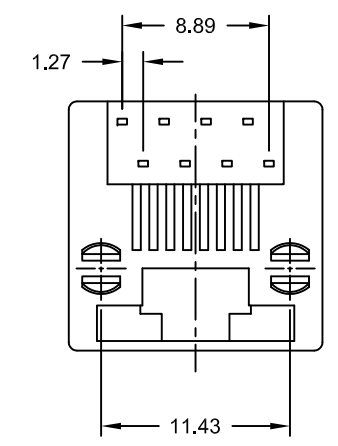
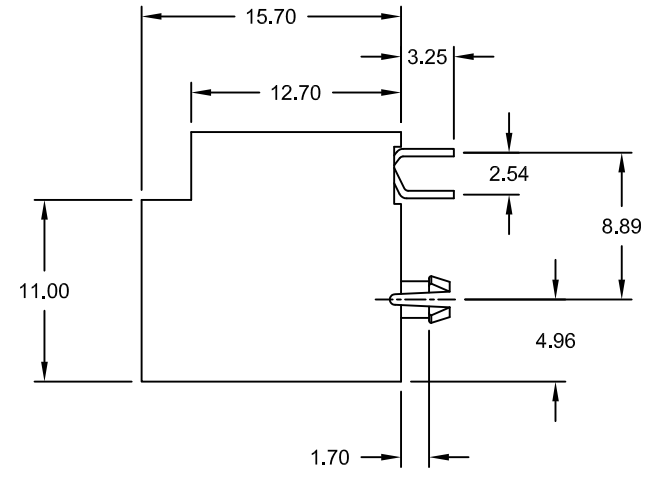
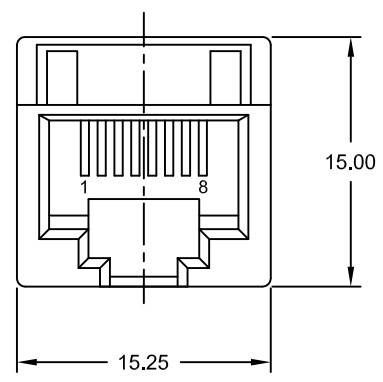
E-tec 2015 © - all rights reserved



UNIT	SCALE	GENERAL TOLERANCE	DRAWN	DATE	DWG. NO.	SHEET 1/1
mm	Free	X.° ± X. ±	RH	06.11.2008	1411500	REV. C
		.X° ± .X ±	CHECK	09.12.2015	SERIES NO.	
		.XX° ± .XX ± 0.25	APPROVE	09.12.2015	MJT-188-S1S0-9x	
		.XXX° ± .XXX ±	Hogi			

Top Entry RJ45 PCB JACK
 <8P/8C> Short profile Type
 NON shielded, **without panel stop**

REV.	DESCRIPTION	DATE	DRAWN
A	NEW	29.05.2006	RH
B	P/N change -S146/M- -> -S1S2-	20.01.2015	RH



Recommended PCB Hole Layout
(Top View)



Specifications

Electrical

Current rating: 1.5A
 Insulation resistance: 500MΩ min. @500V DC
 Withstanding voltage: 1000V AC rms 60Hz / Minute
 Contact resistance: 40mΩ max. @20mV DC

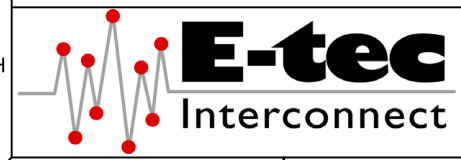
Material

Contact: Phosphor Bronze t=0.35mm
 Plating: Sn/Au over Ni
 Insulator: PBT (black) UL 94V-0

Operating temperature: -40°C to +85°C

Cavity conforms to FCC rules and regulations Part 68, Subpart F

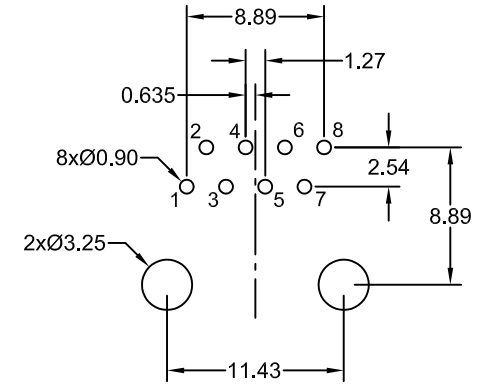
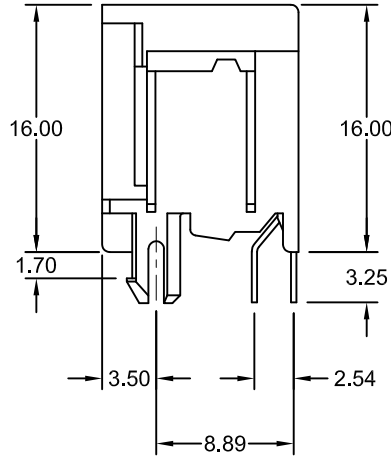
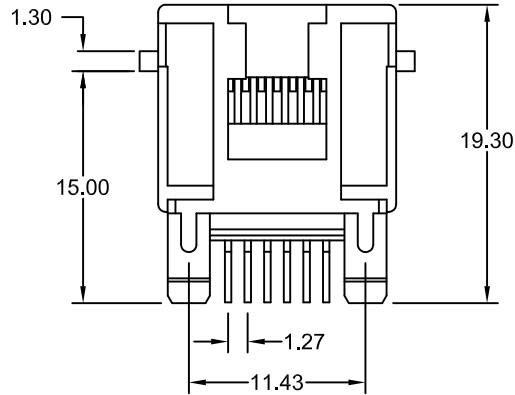
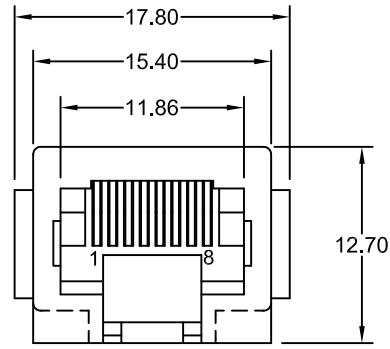
PART NUMBER	GOLD PLATING CONTACT AREA
MJT-188-S1S2-96	6μ"
MJT-188-S1S2-97	15μ"
MJT-188-S1S2-98	30μ"
MJT-188-S1S2-9H	50μ"



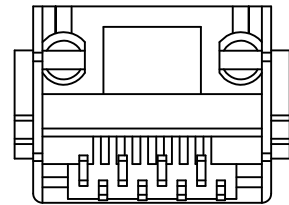
UNIT	SCALE	GENERAL TOLERANCE	DRAWN	DATE	DWG. NO.	SHEET 1/1
mm	Free	X.° ± X. ±	RH	29.05.2006	1411502	REV. B
		.X° ± .X ±	CHECK	20.01.2015	SERIES NO.	
		.XX° ± .XX ± 0.25	APPROVE	20.01.2015	MJT-188-S1S2-9x	
		.XXX° ± .XXX ±	Hogi			

Top Entry PCB Jack
 RJ45 <8P8C>
 NON shielded

REV.	DESCRIPTION	DATE	DRAWN
A	New	09.12.2015	Cherry



Recommended PCB Layout Top View
(Tolerance ±0.05)



PART NUMBER	GOLD PLATING CONTACT AREA
MJS-188-S1S30-96	6µ"
MJS-188-S1S30-97	15µ"
MJS-188-S1S30-98	30µ"
MJS-188-S1S30-9H	50µ"

Specifications

Electrical

Current rating: 1.5A
 Insulation resistance: 500MΩ min. @ 500V DC
 Voltage rating: 125V AC rms
 Withstanding voltage: 1000V AC rms 50Hz / Minute
 Contact resistance: 50mΩ max.

Materials

Contact: Phosphor Bronze
 Plating: Sn on solder area,
 Au on contact area;
 entire contact Ni underplated
 Insulator: PBT (Black) UL 94V-0

Storage temperature: -40°C to +85°C
 Operating temperature: 0°C to +70°C

Mechanical Requirements

Operating Life: 750 cycles min.
 Cavity comply with FCC Rules and
 Regulations Part 68, Subpart F

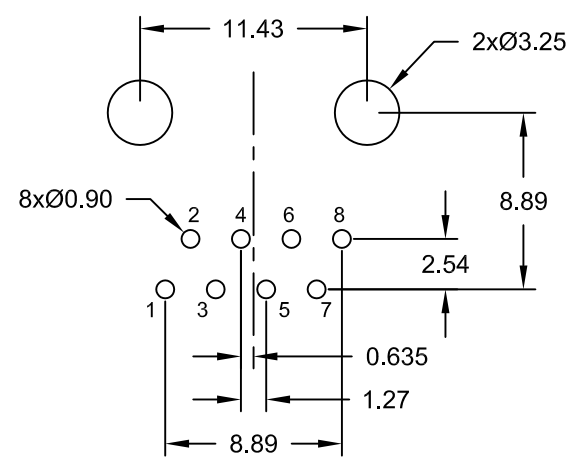
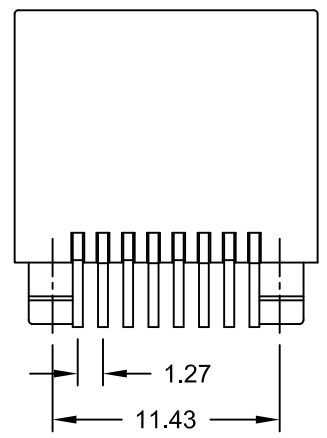
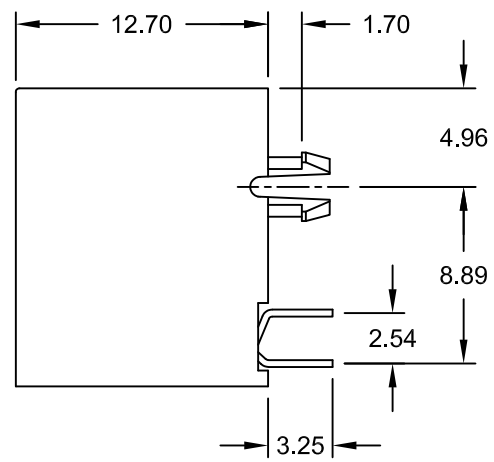
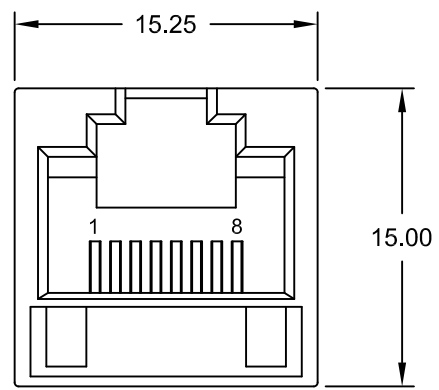
E-tec 2015 © - all rights reserved



UNIT	GENERAL TOLERANCE		DRAWN	DATE	DWG. NO.	SHEET 1/1
mm	X.° ±	X. ±	Cherry	09.12.2015	1411503	REV. A
SCALE	.X° ±	.X ±	CHECK	09.12.2015	SERIES NO.	
Free	.XX° ±	.XX ± 0.25	APPROVE	09.12.2015	MJT-188-S1S30-9x	
	.XXX° ±	.XXX ±	Hogi			

Top Entry RJ45 PCB JACK
 <8P/8C> Short profile Type
 NON shielded, **with panel stop**

REV.	DESCRIPTION	DATE	DRAWN
A	New	19.04.2016	Cherry



Recommended PCB Layout
Top View
(Tolerance ±0.05)



Specifications

Electrical

- Current rating: 1.5A
- Insulation resistance: 500MΩ min.
- Contact resistance: 50mΩ max.
- Withstanding voltage: 1000V AC / Minute

Material

- Contact: Phosphor Bronze
- Plating: Sn/Au over Ni
- Insulator: PBT (black) UL 94V-0
- Operating temperature: -40°C to +85°C
- Cavity comply with FCC Rules and Regulations Part 68, Subpart F

PART NUMBER	GOLD PLATING CONTACT AREA
MJT-188-S1S4-95	3μ"
MJT-188-S1S4-96	6μ"
MJT-188-S1S4-97	15μ"
MJT-188-S1S4-98	30μ"
MJT-188-S1S4-9H	50μ"

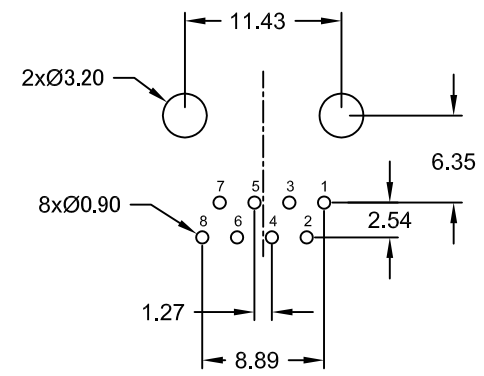
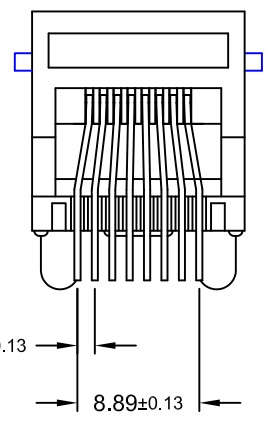
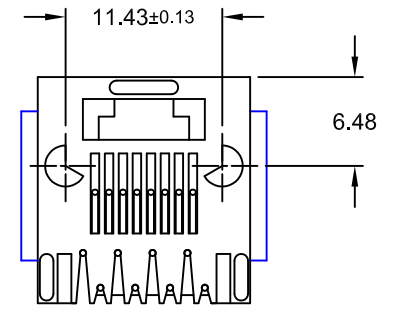
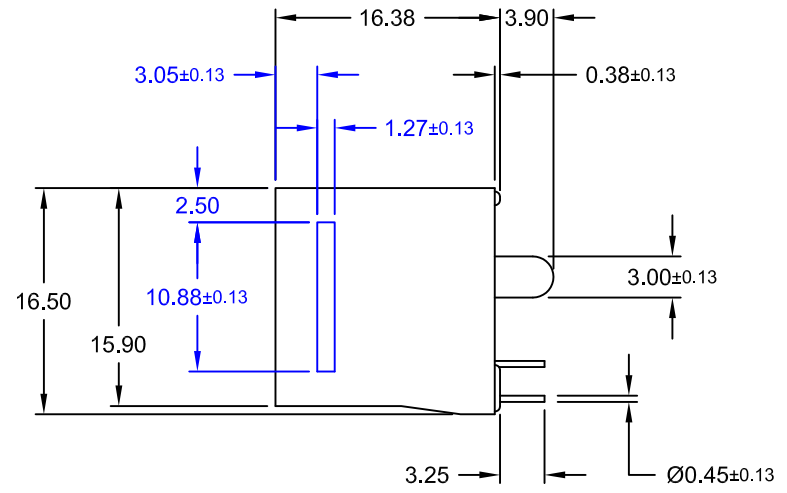
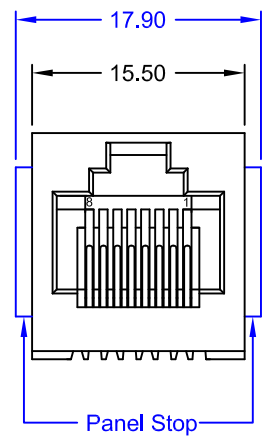
E-tec 2016 © - all rights reserved



UNIT mm	GENERAL TOLERANCE		DRAWN Cherry	DATE 19.04.2016	DWG. NO. 1411504	SHEET 1/1					
	SCALE Free	X° ±				X. ±	CHECK Ronny	DATE 19.04.2016	REV. A		
		.XX° ±				.XX ± 0.25			APPROVE Hogi	DATE 19.04.2016	SERIES NO. MJT-188-S1S4-9x
		.XXX° ±				.XXX ±					

Top Entry PCB Jack
RJ45 <8P8C>
NON shielded

REV.	DESCRIPTION	DATE	DRAWN
A	New	29.11.2016	Cherry



Recommended PCB Hole Layout Top View
(Tolerance ±0.05)



Specifications

Electrical

Current rating: 1.5A
 Insulation resistance: 500MΩ min.
 Contact resistance: 40mΩ max.
 Withstanding voltage: 1000V AC / Minute

Material

Contact: Phosphor Bronze Ø0.45mm
 Plating: Au on solder area;
 Au 6µ" on contact area;
 entire contact 50µ" Ni underplated
 Insulator: PBT (black) UL 94V-0

Operating temperature: -40°C to +85°C

Cavity comply with FCC Rules and
 Regulations Part 68, Subpart F

PART NUMBER WITHOUT PANEL STOP	PART NUMBER WITH PANEL STOP	GOLD PLATING CONTACT AREA
MJT-188-S3S1-56	MJT-188-S3S31-56	6µ"

E-tec 2016 © - all rights reserved



UNIT mm	GENERAL TOLERANCE		DRAWN Cherry	DATE 29.11.2016	DWG. NO. 1411505	SHEET 1/1
	X.° ±	X. ±	CHECK Ronny	DATE 29.11.2016	SERIES NO. MJT-188-S3Sx1-xx	REV. A
	.XX° ±	.XX ± 0.25	APPROVE Hogi	DATE 07.12.2016		
	.XXX° ±	.XXX ±				
SCALE Free						

Top Entry PCB Jack
 RJ45 <8P8C> NON shielded
with & without panel stop