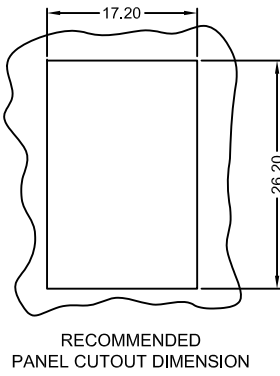
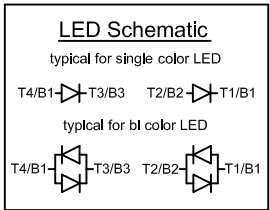
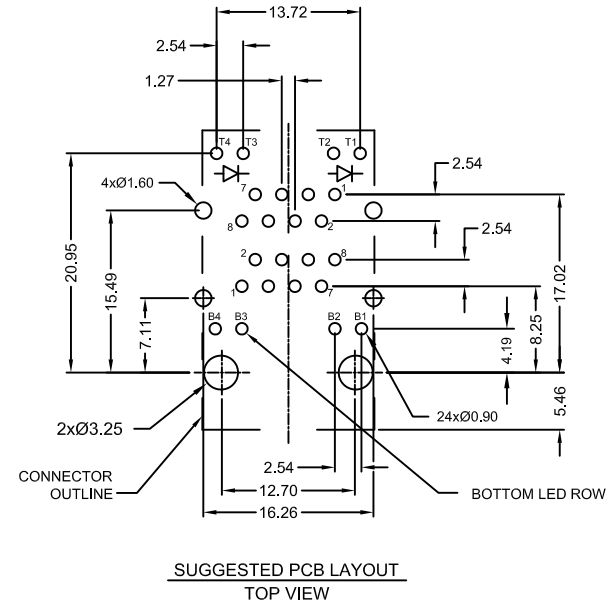
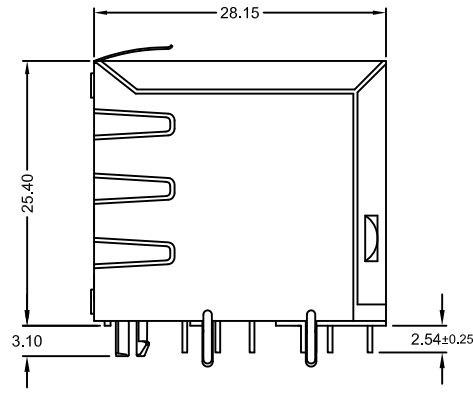
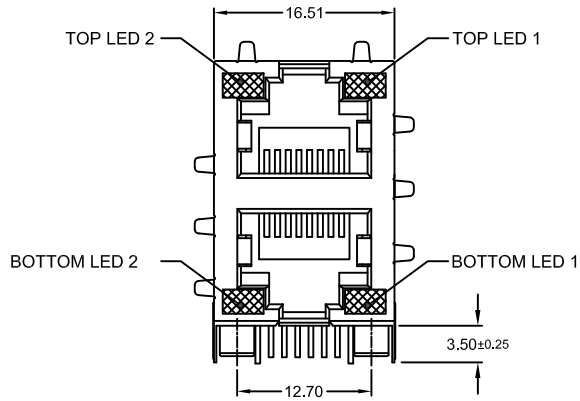


REV.	DESCRIPTION	DATE	DRAWN
A	NEW / Initial Release	16.02.2005	HUANG
B	New DWG. No.	01.02.2012	Ronny
C	update / plating option	26.03.2013	Ronny



PART NUMBER	GOLD PLATING CONTACT AREA
MJS-2T88-L3L1-56/xCA	6µ"
MJS-2T88-L3L1-57/xCA	15µ"
MJS-2T88-L3L1-58/xCA	30µ"
MJS-2T88-L3L1-5H/xCA	50µ"

	LED Color Options	
	LED 2	LED 1
1	YELLOW	GREEN
2	NO LED	GREEN
3	GREEN	NO LED
4	GREEN	YELLOW
5	GREEN	GREEN
6	YELLOW	YELLOW
7	ORANGE/GREEN	ORANGE/GREEN
8	YELLOW/GREEN	YELLOW/GREEN
9	RED	NO LED
A	GREEN/YELLOW	GREEN/YELLOW
B	RED/GREEN	RED/GREEN
C	RED/GREEN	GREEN/YELLOW
D	GREEN	GREEN/YELLOW
E	YELLOW	GREEN/YELLOW

**NOTES:**

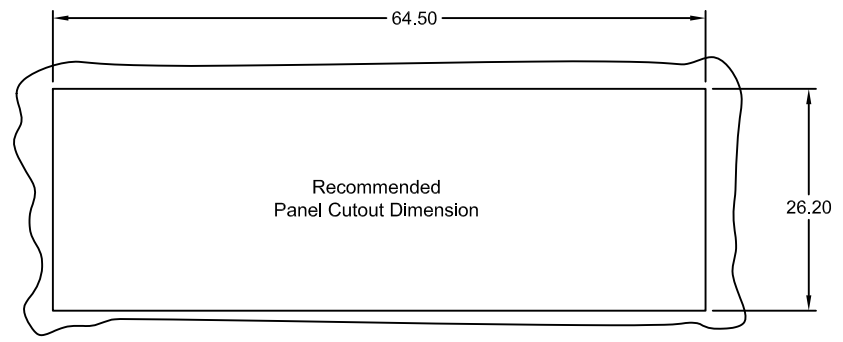
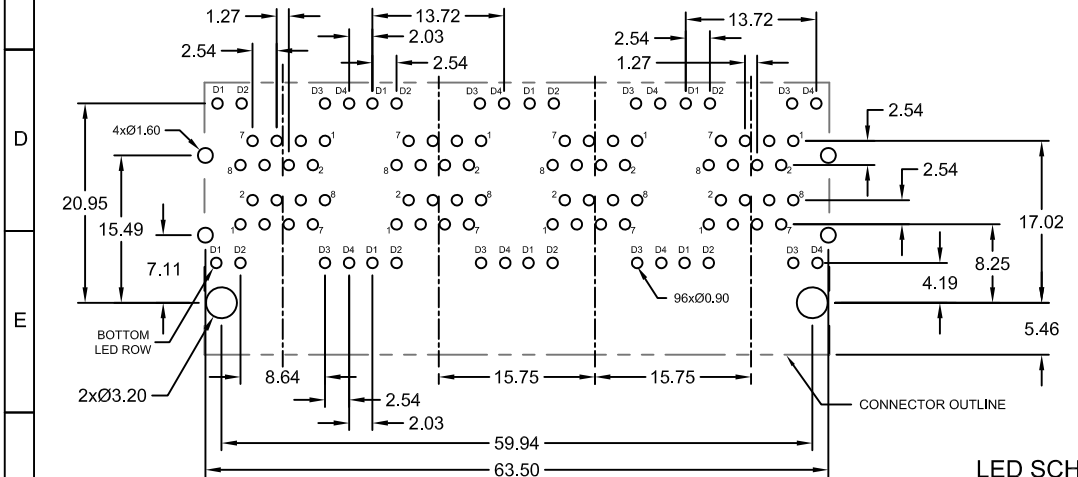
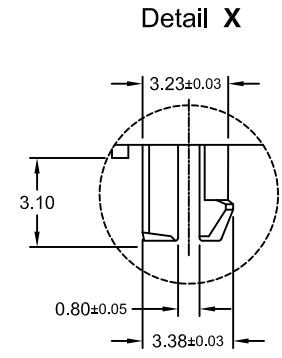
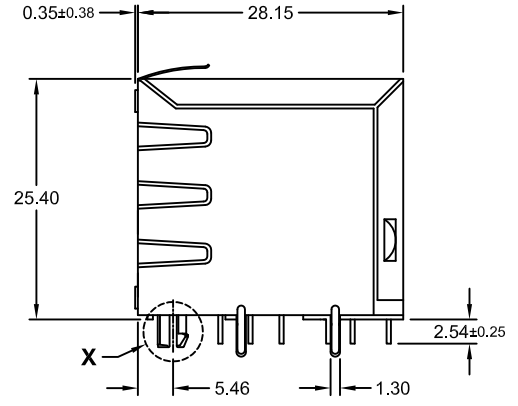
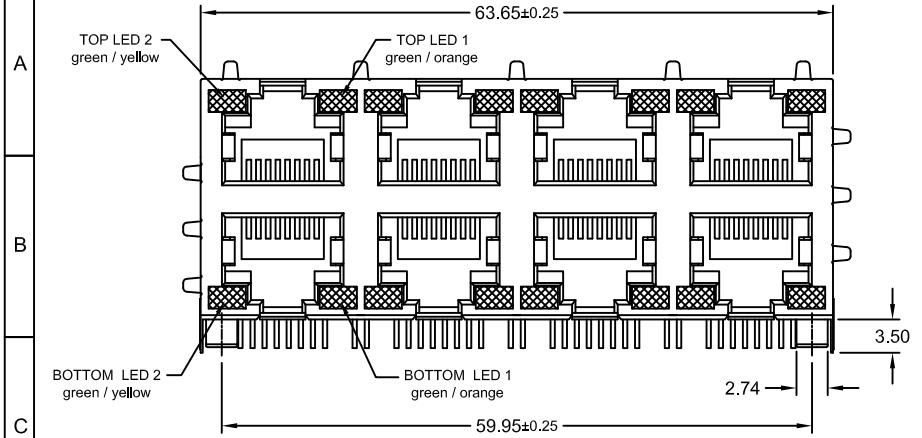
- MATERIALS:**  
HOUSING TOP: PBT BLACK UL94 V-0  
HOUSING BOTTOM: NYLON-46 BLACK UL94 V-0  
CONTACTS: T=0.35mm PhBz, 50µ" NICKEL UNDERPLATE  
GOLD FLASH ON TERMINATION END  
15µ" GOLD ON CONTACT AREA  
SHIELD: T=0.25mm COPPER ALLOY PLATED WITH TIN
- OPERATING TEMPERATURE:** -40°C ~ +85°C
- CAVITY CONFORMS TO FCC RULES AND REGULATIONS PART 68, SUBPART F**
- UNSPECIFIED TOLERANCE:** .XX ± 0.25  
.X ± 0.30



UNIT	mm	GENERAL TOLERANCE		DRAWN	DATE	DWG. NO.	SHEET 1/1
SCALE	Free	X.° ± 5°	X. ± 0.30	HUANG	16.02.2005	3341500	REV. B
		.X° ± 3°	.X ± 0.25	CHECK	DATE	SERIES NO.	
		.XX° ± 2°	.XX ± 0.20	Ronny	26.03.2013	MJS-2T88-L3L1-57/xCA	
		.XXX° ± 1°	.XXX ± 0.10	APPROVE	DATE		
				Hogit	26.03.2013		

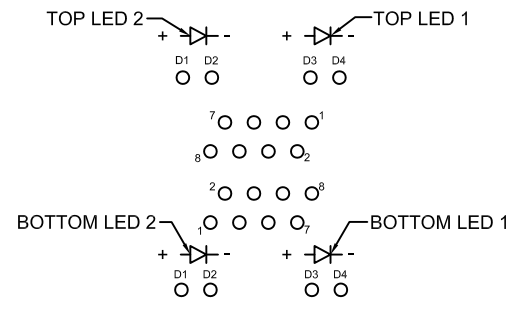
**STACKED RJ45 GANG JACK (2x1)**  
<8P8C> WITH LEDwith round locating FULLY SHIELDED W GRD. LATCHES

REV.	DESCRIPTION	DATE	DRAWN
A	New	19.11.2013	Ronny



Recommended PCB Layout  
(Top View)

LED SCHEMATIC



NOTES:

- MATERIALS:  
HOUSING TOP: PBT BLACK UL94 V-0  
HOUSING BOTTOM: NYLON-46 BLACK UL94 V-0 (HEAT DEFLECTION TEMP. 290°C)  
CONTACTS: T=0.35mm PhBz, 50µ" NICKEL UNDERPLATED  
FLASH GOLD ON TERMINATION END  
15µ" GOLD ON CONTACT AREA  
SHIELD: T=0.25mm COPPER ALLOY PLATED WITH NICKEL
- OPERATING TEMPERATURE: -40°C ~ +85°C
- CAVITY CONFORMS TO FCC RULES AND REGULATIONS PART 68, SUBPART F

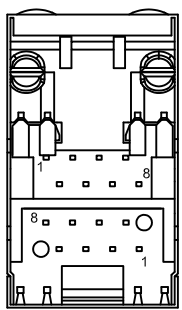
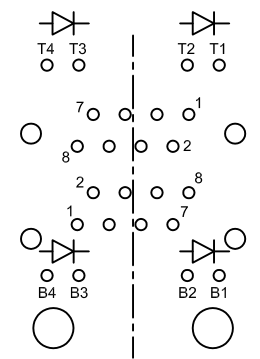
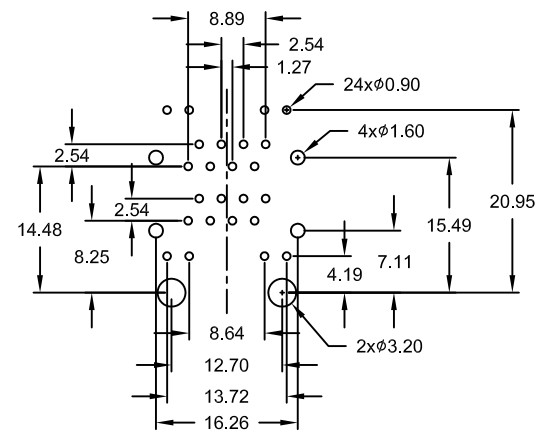
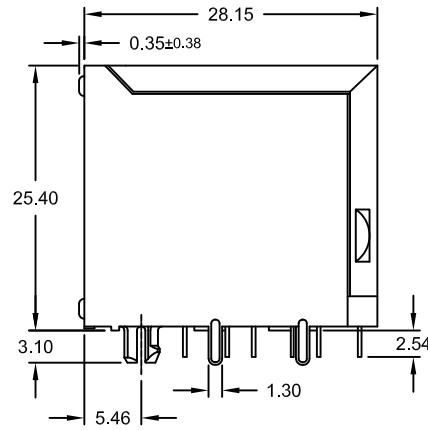
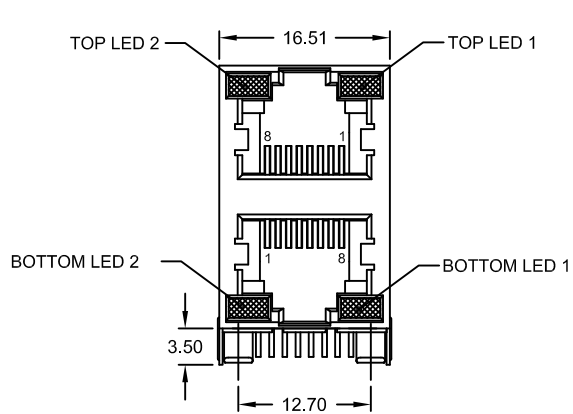
PART NUMBER	GOLD PLATING CONTACT AREA
MJS-8T88-L3L1-57/W32CA	15µ"



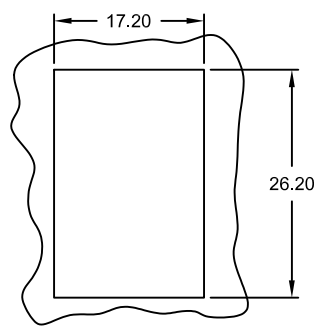
UNIT	SCALE	GENERAL TOLERANCE	DRAWN	DATE	DWG. NO.	SHEET 1/1
mm	Free	X.° ±	Ronny	19.11.2013	3341502	REV. A
		.X° ±	Hogt	19.11.2013	SERIES NO.	
		.XX° ±	Hogt	19.11.2013	MJS-8T88-L3L1-57/W32CA	
		ANG. ± 0°30'				

**STACKED RJ45 GANG JACK**  
**(2x4) <8P8C>** fully shielded w/ grd. latches  
LED #2 GR/YE LED #1 GR/OR

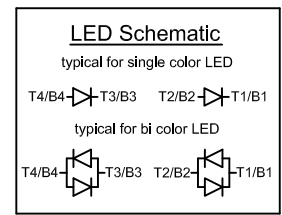
REV.	DESCRIPTION	DATE	DRAWN
A	NEW	25.08.2014	Ryan
B	correct Pin count	30.10.2014	Ronny



Recommended PCB Layout (top View)



RECOMMENDED PANEL CUTOUT DIMENSION



Replace "x" with LED Color Options

	LED Color Options	
	LED 2	LED 1
1	YELLOW	GREEN
2	NO LED	GREEN
3	GREEN	NO LED
4	GREEN	YELLOW
5	GREEN	GREEN
6	YELLOW	YELLOW
7	ORANGE/GREEN	ORANGE/GREEN
8	YELLOW/GREEN	YELLOW/GREEN
9	RED	NO LED
A	GREEN/YELLOW	GREEN/YELLOW
B	RED/GREEN	RED/GREEN
C	RED/GREEN	GREEN/YELLOW
D	GREEN	GREEN/YELLOW
E	YELLOW	GREEN/YELLOW

PART NUMBER	GOLD PLATING CONTACT AREA
MJS-2T88-G3L0-56/BxCS	6µ"
MJS-2T88-G3L0-57/BxCS	15µ"
MJS-2T88-G3L0-58/BxCS	30µ"
MJS-2T88-G3L0-5H/BxCS	50µ"

**SPECIFICATIONS**

**ELECTRICAL:**

Current rating: 1.5A  
 Insulation resistance: 500MΩ min./500V DC  
 Withstanding voltage: 1000V rms 60Hz/Minute  
 Contact resistance: 50mΩ max./20mV DC  
 Temperature range: -40°C ~ +85°C

**MATERIAL:**

Top Insulator: PBT UL 94V-0 color: Black  
 Bottom Insulator: Nylon 46 UL 94V-0 color: Black  
 Contact: PhBz; Au flash plated on solder area  
 Shield: Brass (t=0.35); Nickel plated

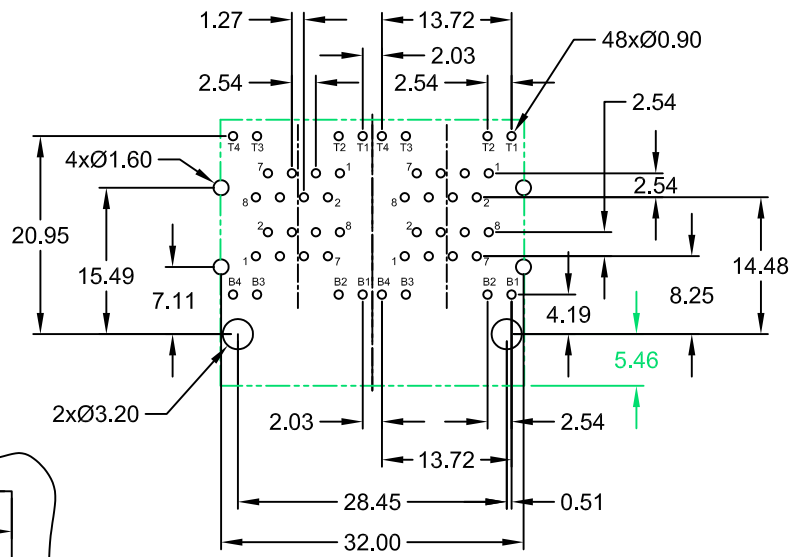
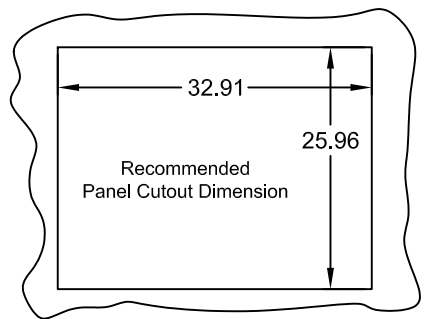
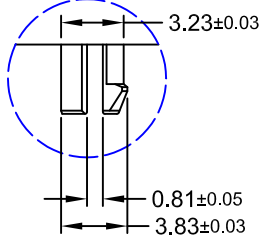
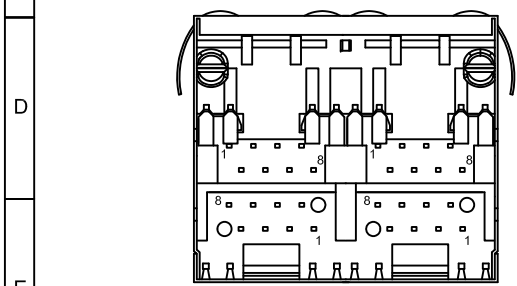
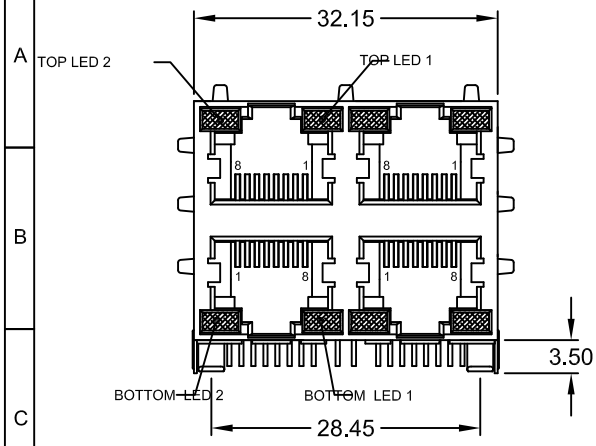
Cavity conforms to FCC rules and regulations Part 68, Subpart F



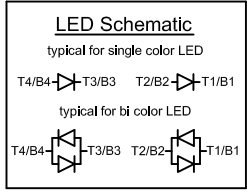
UNIT	SCALE	GENERAL TOLERANCE	DRAWN	DATE	DWG. NO.	SHEET 1/1
mm	Free	X.° ±	Ryan	25.08.2014	3341503	REV. B
		.X° ±	Ronny	30.10.2014	SERIES NO.	
		.XX° ±	Hogit	30.10.2014	MJS-2T88-G3L0-xx/BxCS	
		.XXX° ±				

**Over Top RJ45 PCB JACK**  
**(1x2) <8P8C>** with LED  
 fully shielded without gnd. latches

REV.	DESCRIPTION	DATE	DRAWN
A	NEW	04.03.2009	Ronny
B	change PN -LXRJ- → -G3L0-	30.10.2014	Ronny



Recommended PCB Layout  
(Top View)



PART NUMBER	GOLD PLATING CONTACT AREA
MJS-4T88-G3L0-56/BxCA	6µ"
MJS-4T88-G3L0-57/BxCA	15µ"
MJS-4T88-G3L0-58/BxCA	30µ"
MJS-4T88-G3L0-5H/BxCA	50µ"

	LED Color Options	
	LED 2	LED 1
1	YELLOW	GREEN
2	NO LED	GREEN
3	GREEN	NO LED
4	GREEN	YELLOW
5	GREEN	GREEN
6	YELLOW	YELLOW
7	ORANGE/GREEN	ORANGE/GREEN
8	YELLOW/GREEN	YELLOW/GREEN
9	RED	NO LED
A	GREEN/YELLOW	GREEN/YELLOW
B	RED/GREEN	RED/GREEN
C	RED/GREEN	GREEN/YELLOW
D	GREEN	GREEN/YELLOW
E	YELLOW	GREEN/YELLOW



**SPECIFICATIONS**

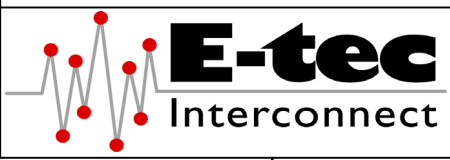
**Electrical:**  
 Current rating: 1.5A  
 Insulation resistance: 500MΩ min./500V DC  
 Withstanding voltage: 1000V rms 60Hz/Minute  
 Contact resistance: 50mΩ max./20mV DC

Temperature range: -40°C ~ +85°C

**Material:**

Top Insulator: PBT UL 94V-0 color: Black  
 Bottom Insulator: Nylon 46 UL 94V-0 color: Black  
 Contact: PhBz (t=0.35); Au flash plated on solder area  
 Shield: Brass (t=0.25); Nickel plated

Cavity confirms to FCC rules and regulations Part 68, Subpart F



UNIT	SCALE	GENERAL TOLERANCE	DRAWN	DATE	DWG. NO.	SHEET 1/1
mm	Free	X.° ±	Ronny	04.03.2009	3341504	REV. B
		.X.° ±	Ronny	27.11.2014	SERIES NO.	
		.XX.° ±	Hogi	27.11.2014	MJS-4T88-G3L0-xx/BxCA	
		.XXX.° ±				

**Over Top RJ45 PCB JACK**  
**(2x2) <8P8C>** with LED  
 fully shielded with gnd. latches