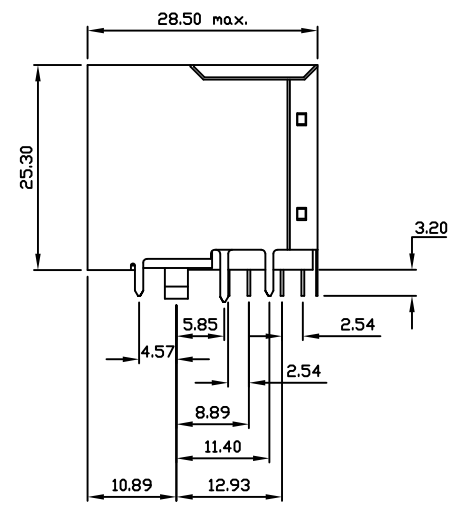
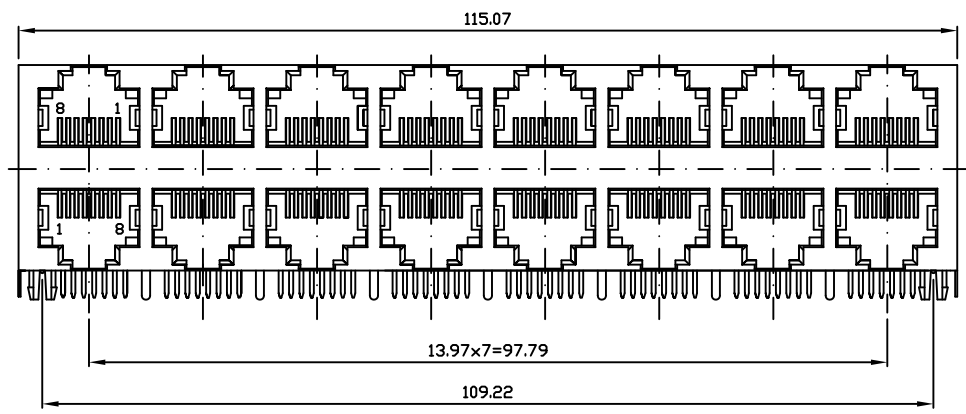


REV.	LOCAS.	DESCRIPTION	DATE	DRAWN
A		NEW	03.11.2001	YANG
B		New DWG. No.	01.02.2012	Ronny

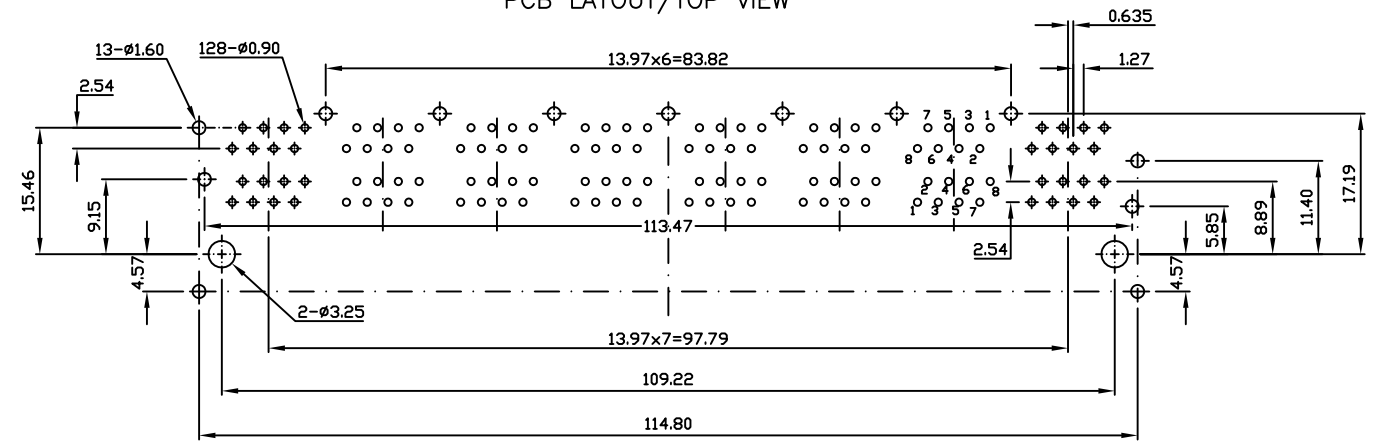


SPECIFICATION

- MATERIAL:**
 HOUSING-PBT POLYESTER UL94V-0
 STANDARD COLOR-BLACK
 INSERT-PBT POLYESTER UL94V-0
 STANDARD COLOR-BLACK
 CONTACT- PHOS-BRONZE 0.35mm
 SELECTIVE GOLD PLATED
 TAILS - 150µ" TIN
 SHIELD-0.20mm THICKNESS STAINLESS STEEL
 PLATED Ni, SN PLATED ON GROUNDING PINS
- CAVITY CONFIRMS TO FCC RULES & REGISTRATION PAR68, SUBPARTS F.**
- ELECTRICAL:**
 VOLTAGE RATING 125V AC RMS
 CURRANT RATING 1.5A
 CONTACT RESISTANCE 50mΩ max.
 INSULATION RESISTANCE 100MΩ min. @ 500V DC
 DIELECTRIC STRENGTH 1000V AC RMS 60 Hz, 1 Minute
- OPERATING LIFE 750 CYCLES min.**
- TEMPERATURE RANGE**
 STORAGE -40°C TO +85°C
 OPERATING 0°C TO +70°C



PCB LAYOUT/TOP VIEW



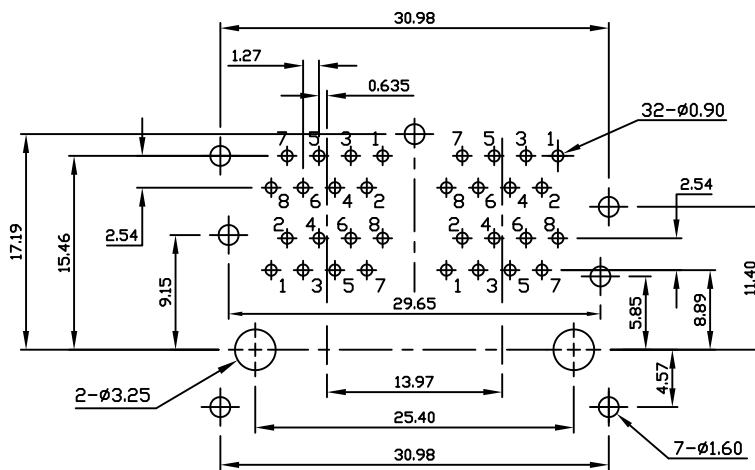
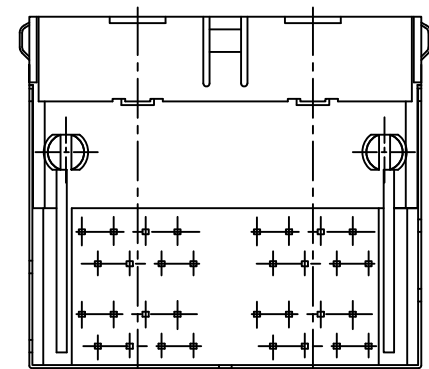
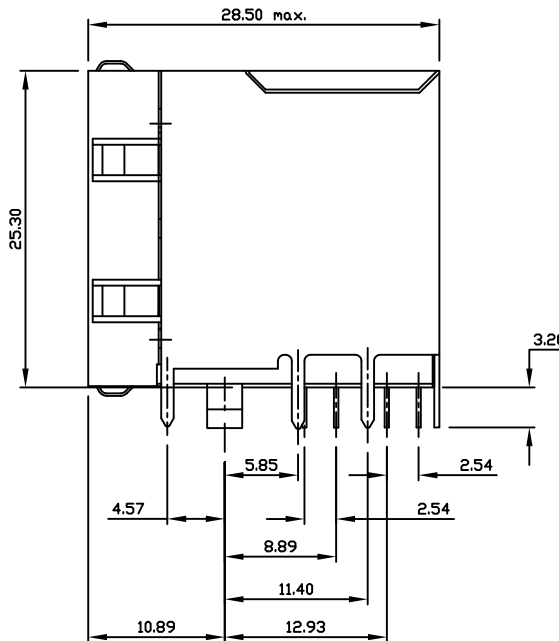
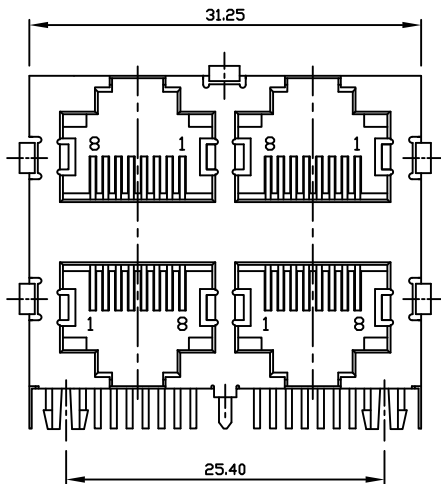
PART NUMBER	GOLD PLATING CONTACT AREA
MJS-16T88-S1L0-96DCS	6µ"
MJS-16T88-S1L0-97DCS	15µ"
MJS-16T88-S1L0-98DCS	30µ"
MJS-16T88-S1L0-9HDCS	50µ"



UNIT	mm	GENERAL TOLERANCE		DRAWN	DATE	DWG. NO.	SHEET 1/1
SCALE	Free	X.° ±	X ± 0.50	YANG	03.11.2001	3331501	REV. B
		.X° ±	.X ± 0.38	RONNY	01.02.2012	SERIES NO.	
		.XX° ±	.XX ± 0.25	HOGI	01.02.2012	MJS-xxT88-S1L0-xxDXX	
		ANG. ± 3°	.XXX ± 0.10				

STACKED GANG JACK
RJ 45 (2x8) <8P8C>
fully shielded

REV.	LOCAS.	DESCRIPTION	DATE	DRAWN
A		FRAME	04.03.2009	RONNY
B		PN SA03-9x/3CF => S1L0-9x/DCF	04.03.2009	RONNY
C		New DWG. No.	01.02.2012	RONNY



RECOMMENDED HOLE PATTERN
TOP VIEW

SPECIFICATION

- MATERIAL:**
 - HOUSING-PBT POLYESTER UL94V-0
STANDARD COLOR-BLACK
 - INSERT-PBT POLYESTER UL94V-0
STANDARD COLOR-BLACK
 - CONTACT- PHOS-BRONZE 0.35mm
SELECTIVE GOLD PLATED
TAILS - 150µ" TIN
 - SHIELD-0.20mm THICKNESS STAINLESS STEEL
PLATED Ni, SN PLATED ON GROUNDING PINS
- CAVITY CONFIRMS TO FCC RULES & REGISTRATION PAR68, SUBPARTS F.**
- ELECTRICAL:**
 - VOLTAGE RATING 125V AC RMS
 - CURRENT RATING 1.5A
 - CONTACT RESISTANCE 50mΩ max.
 - INSULATION RESISTANCE 1000MΩ min. @ 500V DC
 - DIELECTRIC STRENGTH 1000V AC RMS 60 Hz, 1 Minute
- OPERATING LIFE 750 CYCLES min.**
- TEMPERATURE RANGE**
 - STORAGE -40°C TO +85°C
 - OPERATING 0°C TO +70°C



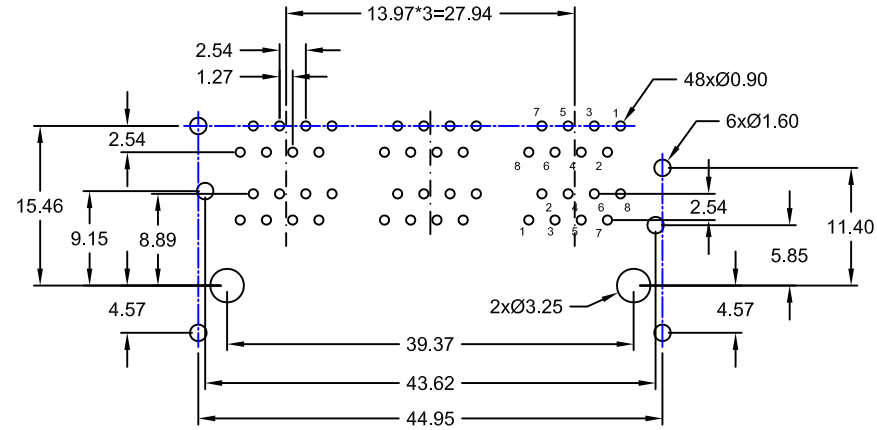
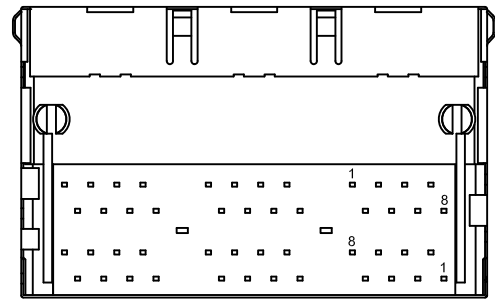
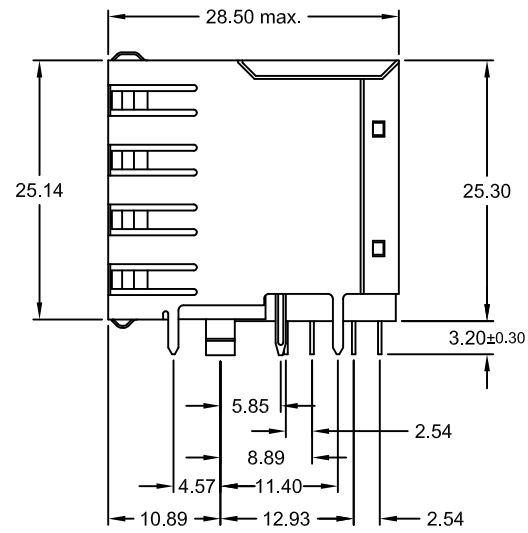
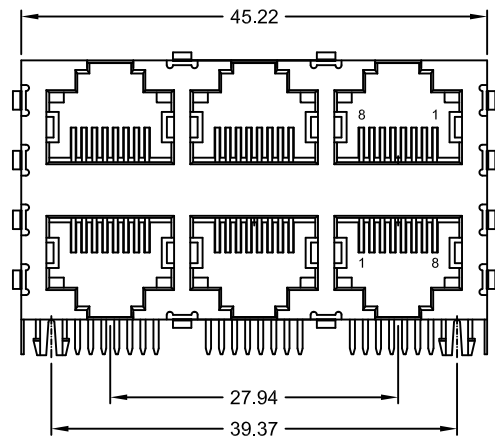
PART NUMBER	GOLD PLATING CONTACT AREA
MJS-4T88-S1L0-96/DCF	6µ"
MJS-4T88-S1L0-97/DCF	15µ"
MJS-4T88-S1L0-98/DCF	30µ"
MJS-4T88-S1L0-9H/DCF	50µ"

UNIT	GENERAL TOLERANCE		DRAWN	DATE	DWG. NO.	SHEET 1/1
mm	X.° ±	X ± 0.50	RONNY	27.03.1991	3331507	REV. C
SCALE	.X° ±	.X ± 0.38	RONNY	04.03.2009		
Free	.XX° ±	.XX ± 0.25	APPROVE	DATE	SERIES NO.	
	ANG. ± 0.5°	.XXX ± 0.10	HOGI	30.07.2009	MJS-4T88-S1L0-9x/DCF	



STACKED GANG JACK
RJ 45 (2x2) <8P8C>
fully shielded w short grd. latches around

REV.	DESCRIPTION	DATE	DRAWN
A	Release	30.11.2010	Ryan Chou
B	New DWG. No.	01.02.2012	Ronny
C	update	29.04.2014	Ronny



Recommended PCB Hole Layout
(PCB TOLERANCE ±0.05)

Specifications

Electrical

Current rating: 1.5A
 Insulation resistance: 1000MΩ min. @500V DC
 Voltage rating: 125V AC rms
 Withstanding voltage: 1000V AC rms 60Hz, 1 Minute
 Contact resistance: 50mΩ max.

Mechanical Requirements

Operating Life: 750 Cycles min.

Material

Contact: Phosphor Bronze t=0.35mm
 Plating: Sn over Ni on solder area;
 Au over Ni on contact area
 Insulator: PBT Polyester UL 94V-0 (Black)
 Shield: stainless steel t=0.20mm

Storage temperature: -40°C to +85°C
 Operating temperature: 0°C to +70°C

Cavity confirms to FCC Rules and Registration PAR68, Subparts F

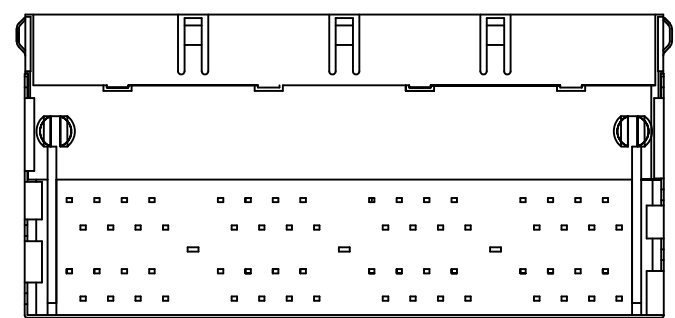
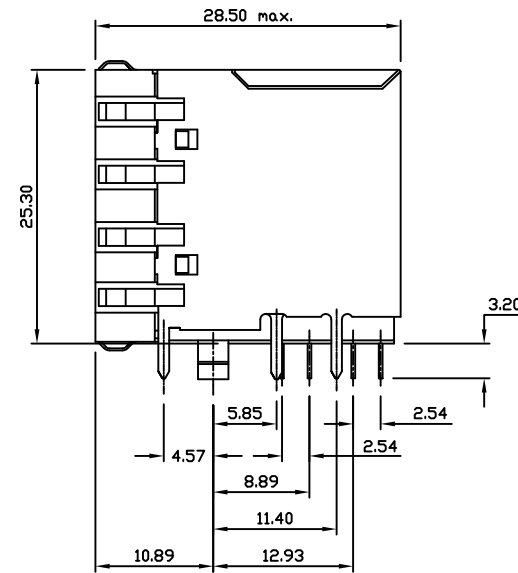
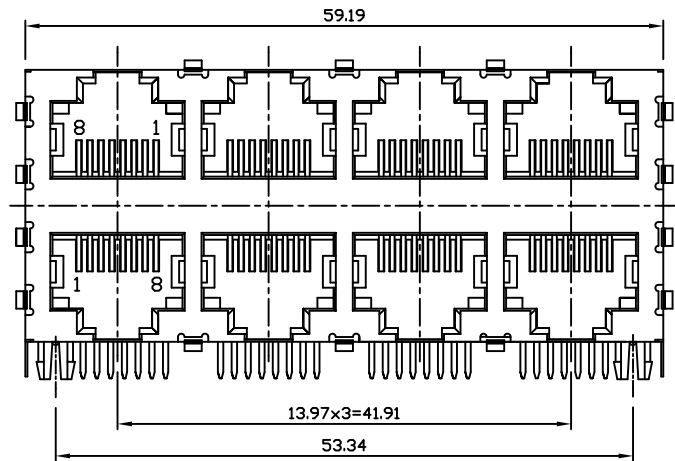
PART NUMBER	GOLD PLATING CONTACT AREA
MJS-6T88-S1L0-96/CCF	6μ"
MJS-6T88-S1L0-97/CCF	15μ"
MJS-6T88-S1L0-98/CCF	30μ"
MJS-6T88-S1L0-9H/CCF	50μ"



UNIT	SCALE	GENERAL TOLERANCE	DRAWN	DATE	DWG. NO.	SHEET 1/1
mm	Free	X.° ± 3° .X° ± .XX° ± .XXX° ±	Ryan Chou	30.11.2010	3331508	REV. C
		X. ± .X0 ± 0.38 .XX ± 0.25 .XXX ±	Ronny	29.04.2014	SERIES NO.	
			Hogi	29.04.2014	MJS-6T88-S1L0-9x/CCF	

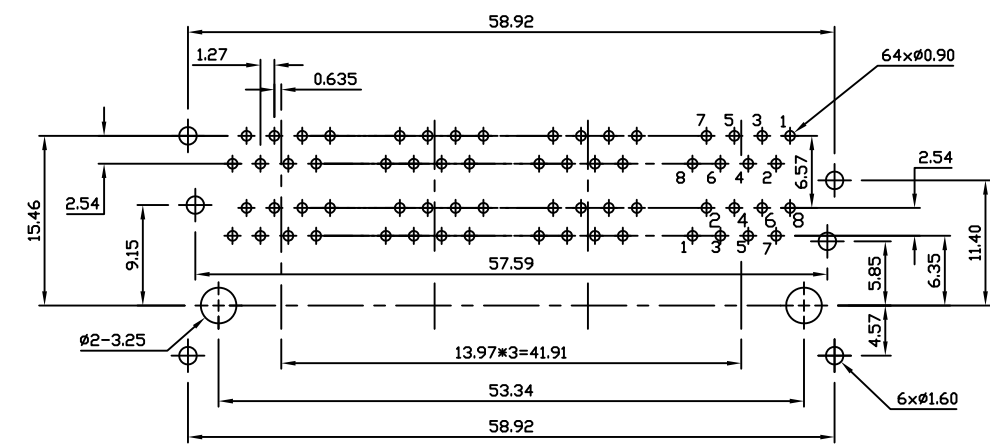
STACKED GANG JACK
 RJ 45 (2x3) <8P8C>
 fully shielded w short gnd. latches around

REV.	LOCAS.	DESCRIPTION	DATE	DRAWN
A		FRAME	04.03.2009	RONNY
B		PN SA03-9x/7CA -> S1L0-9x/CCF	31.07.2009	RONNY
C		correct DIM hole Layout	05.12.2011	RONNY
D		New DWG. No.	01.02.2012	RONNY



SPECIFICATION

- MATERIAL:**
HOUSING-PBT POLYESTER UL94V-0
STANDARD COLOR-BLACK
CONTACT- PHOS-BRONZE 0.35mm
SELECTIVE GOLD PLATED
TAILS - 150µ" TIN
SHIELD-0.20mm THICKNESS STAINLESS STEEL
PLATED Ni, SN PLATED ON GROUNDING PINS
- CAVITY CONFIRMS TO FCC RULES & REGISTRATION PAR68, SUBPARTS F.**
- ELECTRICAL:**
VOLTAGE RATING 125V AC RMS
CURRANT RATING 1,5A
CONTACT RESISTANCE 50mΩ max.
INSULATION RESISTANCE 1000MΩ min. @ 500V DC
DIELECTRIC STRENGTH 1000V AC RMS 60 Hz, 1 Minute
- OPERATING LIFE 750 CYCLES min.**
- TEMPERATURE RANGE**
STORAGE -40°C TO +85°C
OPERATING 0°C TO +70°C



Recommended Hole Layout
Top View

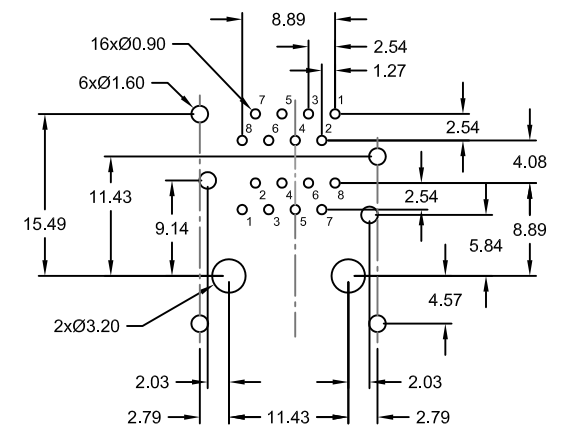
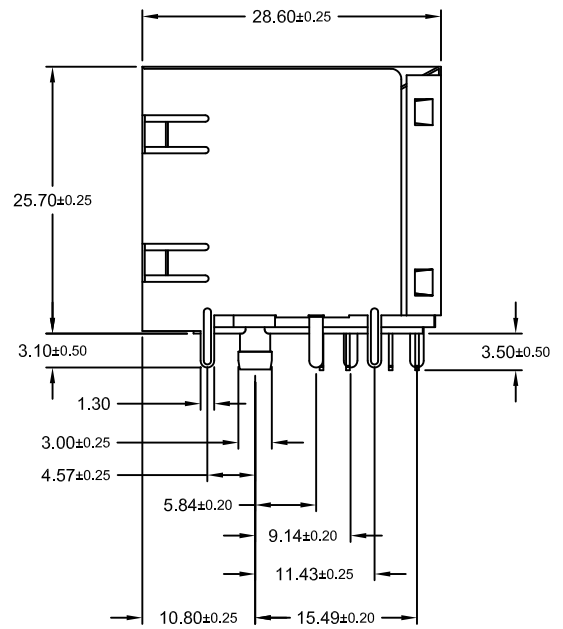
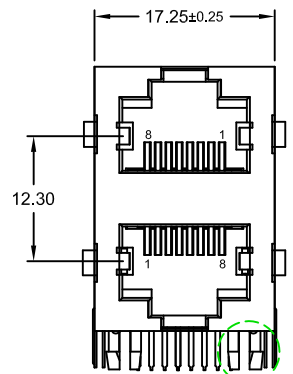
PART NUMBER	GOLD PLATING CONTACT AREA
MJS-8T88-S1L0-96/CCF	6µ"
MJS-8T88-S1L0-97/CCF	15µ"
MJS-8T88-S1L0-98/CCF	30µ"
MJS-8T88-S1L0-9H/CCF	50µ"



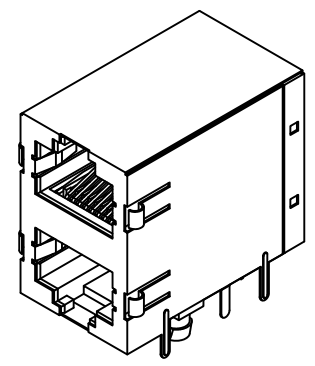
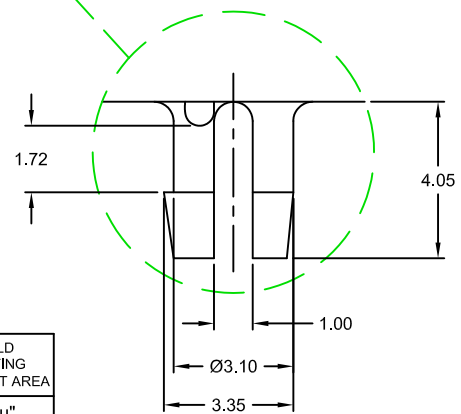
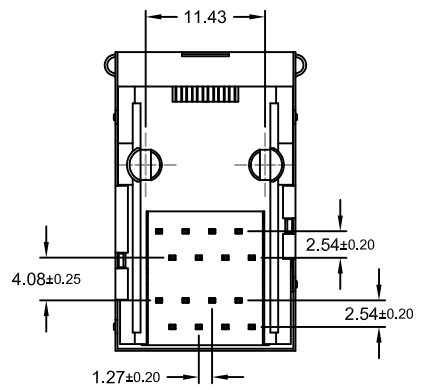
UNIT	mm	GENERAL TOLERANCE		DRAWN	DATE	DWG. NO.	SHEET 1/1
SCALE	Free	X.° ±	X. ± 0.50	Steven	06.03.2003	3331509	REV. D
		.X° ±	.X ± 0.38	Ronny	01.02.2012	SERIES NO.	
		.XX° ±	.XX ± 0.25	Hogt	01.02.2012	MJS-8T88-S1L0-9x/CCF	
		ANG. ± 0.5°	.XXX ± 0.10				

Multi Port "over top" RJ 45 PCB Jack
2 x 4 <8P8C>
side entry-long profile Type without LED
fully shielded w short grd. latches around

REV.	DESCRIPTION	DATE	DRAWN
A	New	02.12.2010	Ryan
B	New DWG. No.	01.02.2012	Ronny
C	general update: 3.20->3.00mm	06.12.2016	Cherry



Recommended PCB Layout Top View
(Tolerance ±0.05)



PART NUMBER	GOLD PLATING CONTACT AREA
MJS-2T88-S3L0-56/CCH	6μ"
MJS-2T88-S3L0-57/CCH	15μ"
MJS-2T88-S3L0-58/CCH	30μ"
MJS-2T88-S3L0-5H/CCH	50μ"

Materials
 Contact: Phosphor Bronze
 Plating: Au on solder area,
 Au on contact area;
 entire contact Ni underplated
 Shield: Brass; Ni Plated
 Housing: PBT (black) UL 94V-0
 Insert: PBT (black) UL 94V-0

Operating temperature: -40°C to +85°C

Cavity comply with FCC Rules and Regulations Part 68, Subpart F

Specifications
Electrical
 Current rating: 1.5A
 Insulation resistance: 500MΩ min.
 Contact resistance: 30mΩ max.
 Withstanding voltage: 1000V AC / Minute

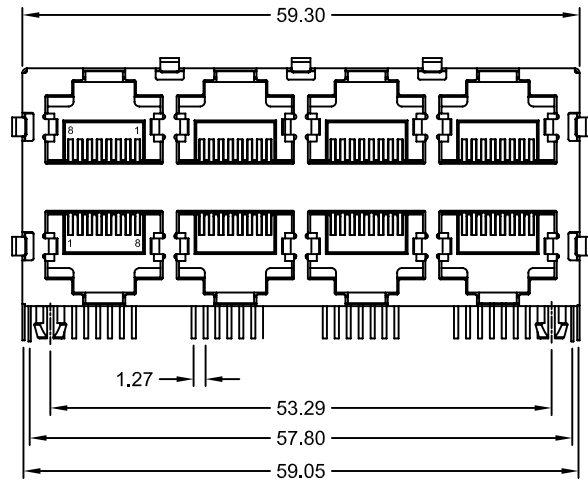
E-tec 2016 © - all rights reserved



UNIT	SCALE	GENERAL TOLERANCE	DRAWN	DATE	DWG. NO.	SHEET 1/1
mm	Free	X.° ± X. ±	Ryan	02.12.2010	3331511	REV. C
		.X° ± .X ±	Ronny	16.12.2016	SERIES NO.	
		.XX° ± .XX ± 0.13	Hogi	16.12.2016	MJS-2T88-S3L0-5x/CCH	
		.XXX° ± .XXX ±				

Side Entry PCB Jack
 RJ45 (2x1) <8P8C>
Long Profile Type
 fully shielded with gnd. Latches

REV.	LOCAS.	DESCRIPTION	DATE	DRAWN
A		NEW	01.12.2011	Ronny
B		New DWG. No.	01.02.2012	Ronny

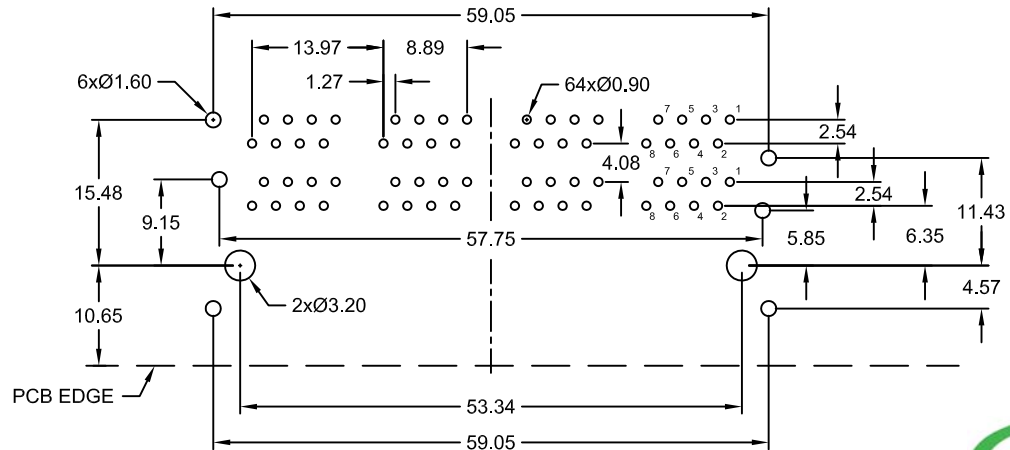
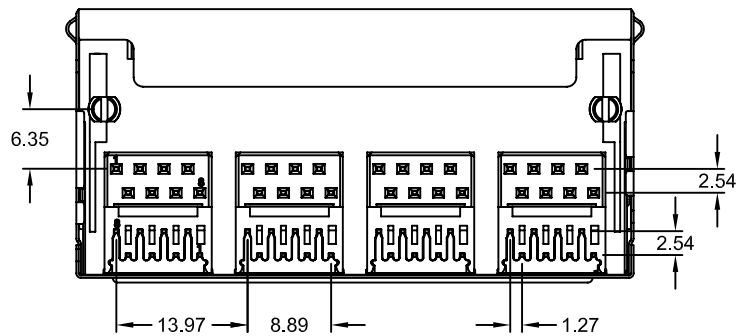


Specifications

Electrical Characteristics:
 Current rating: 1.5A
 Insulation resistance: 500MΩ min.
 Withstanding voltage: 1000V AC / 1 Minute
 Contact resistance: 50mΩ max.
 Operating temperature: -40°C to +85°C

Materials

Contact: Phosphor Bronze t=0.35
 Plating: Sn on solder area; Au on contact area
 Insulator: PBT UL 94V-0
 Shield: Brass; Ni plated



Recommended Hole Layout



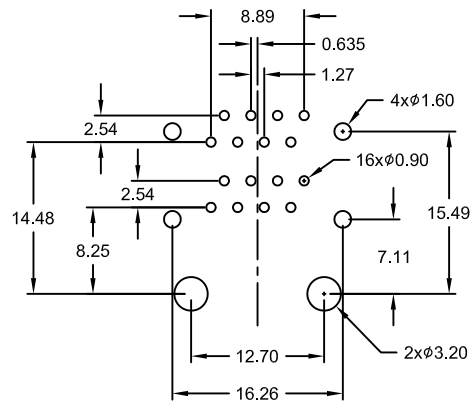
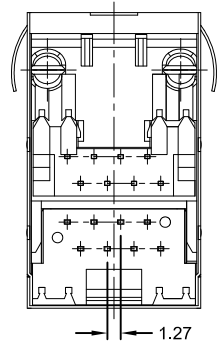
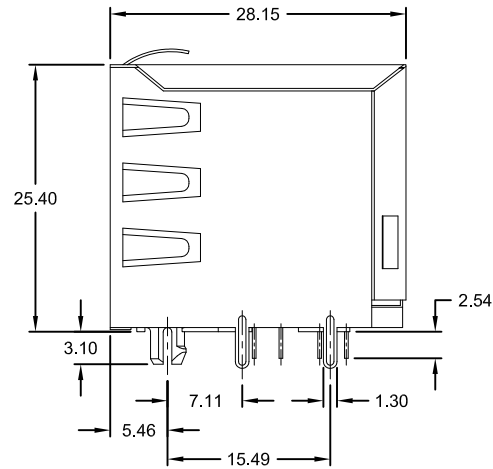
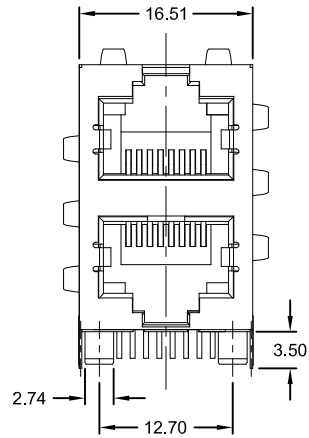
PART NUMBER	GOLD PLATING CONTACT AREA
MJS-8T88-S0L0-96/CCF	6μ"
MJS-8T88-S0L0-97/CCF	15μ"
MJS-8T88-S0L0-98/CCF	30μ"
MJS-8T88-S0L0-9H/CCF	50μ"

UNIT	GENERAL TOLERANCE		DRAWN	DATE	DWG. NO.	SHEET 1/1
mm	X.° ±	X. ±	Ronny	01.12.2011	3331512	REV. B
SCALE	.X° ±	.X ± 0.25	Ronny	01.02.2012	SERIES NO.	
	.XX° ±	.XX ± 0.15	Hogi	01.02.2012	MJS-8T88-S0L0-9x/CCF	
	.XXX° ±	.XXX ± 0.075				

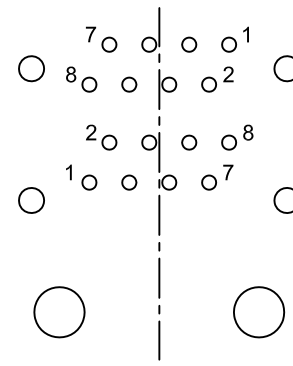
Multi Port "over top" RJ 45 PCB Jack
2 x 4 <8P8C>
 side entry-long profile Type without LED
 fully shielded w short grd. latches around



REV.	DESCRIPTION	DATE	DRAWN
A	New	17.04.2014	RYAN



Recommended PCB Hole Layout
(Top View)



Specifications

Current rating: 1.5A
 Insulation resistance: 500MΩ min.
 Withstanding voltage: 1000V rms 60Hz / Minute
 Contact resistance: 50mΩ max.
 Operating temperature: -40°C to +105°C

Materials

Contact: Phosphor Bronze (t=0.35mm)
 Plating: Au flash in solder area, Au in contact area
 Insulator: TOP Housing P.B.T. UL 94V-0 (Black)
 TOP Insert P.B.T. UL 94V-0 (Black)
 Bottom Housing Nylon 46 UL 94V-0 (Black)
 Bottom Insert Nylon 46 UL 94V-0 (Black)

Cavity confirms to FCC Rules and Registration PAR68,
 Subparts F

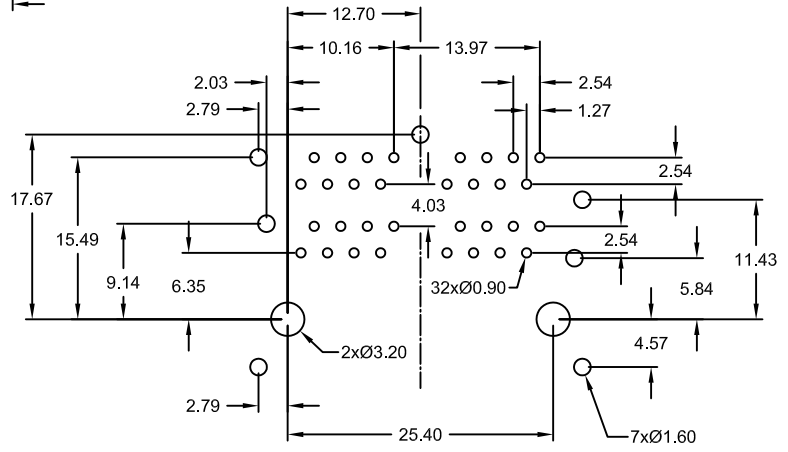
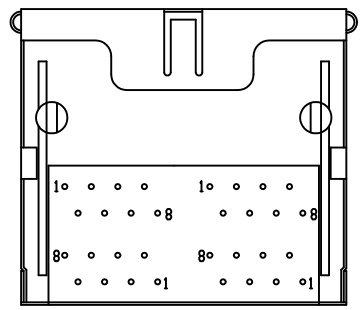
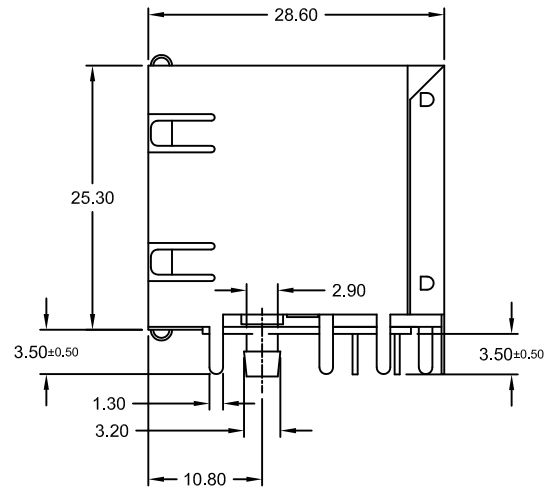
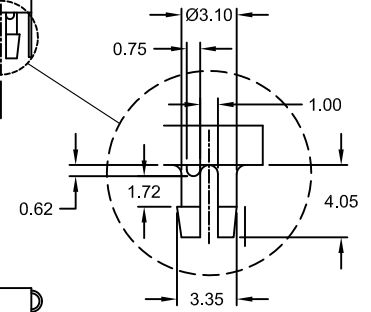
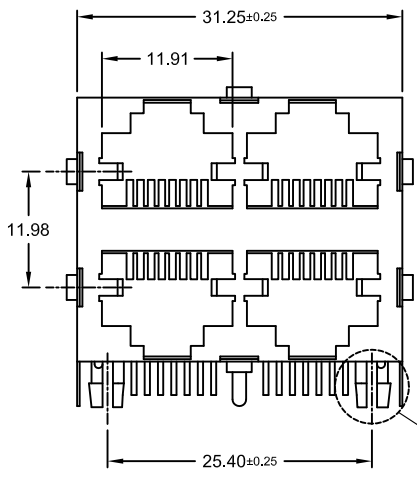
PART NUMBER	GOLD PLATING CONTACT AREA
MJS-2T88-S3L0-56/BCA	6μ"
MJS-2T88-S3L0-57/BCA	15μ"
MJS-2T88-S3L0-58/BCA	30μ"
MJS-2T88-S3L0-5H/BCA	50μ"



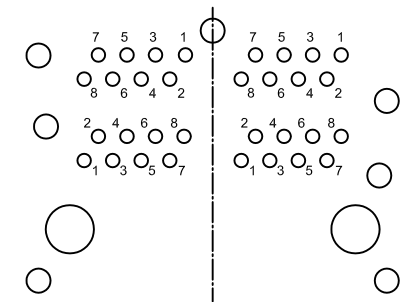
UNIT	SCALE	GENERAL TOLERANCE	DRAWN	DATE	DWG. NO.	SHEET 1/1
mm	Free	X.° ± X ± 0.50	RYAN	17.04.2014	3331514	REV. A
		.X° ± .X ± 0.38	RONNY	17.04.2014	SERIES NO.	
		.XX° ± .XX ± 0.25	HOGI	17.04.2014	MJS-2T88-S3L0-5x/BCA	
		ANG. ± 0.5° .XXX ± 0.10				

Over top Dual Port PCB Jack
RJ45 (1x2) <8P/8C>
 side entry, long profile Type without LED
 fully shielded, with Gnd. Latches around

REV.	DESCRIPTION	DATE	DRAWN
A	New	19.02.2014	RONNY
B	Correct number: 3331514 -> 3331515	28.04.2014	RONNY



Recommended PCB Hole Layout
(Top View)



Specifications

- Current rating: 1.5A
- Insulation resistance: 500MΩ min.
- Withstanding voltage: 1000V rms 60Hz / Minute
- Contact resistance: 50mΩ max.
- Operating temperature: -40°C to +105°C

Materials

- Contact: Phosphor Bronze (t=0.35mm)
- Plating: Au in contact area; Au in solder area
- Insulator: P.B.T. UL 94V-0 (Black)

Cavity confirms to FCC Rules and Registration PAR68, Subparts F

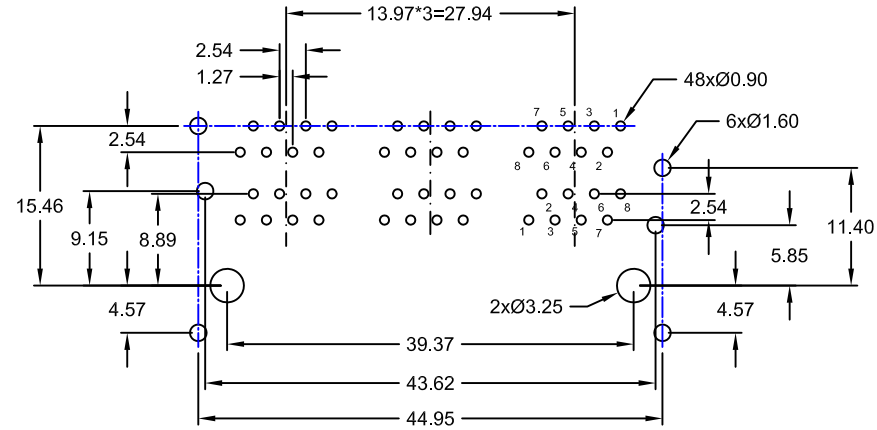
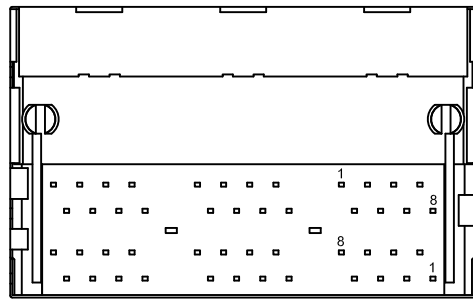
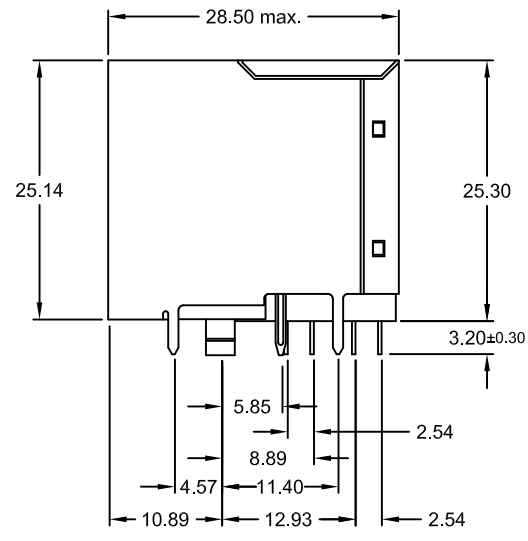
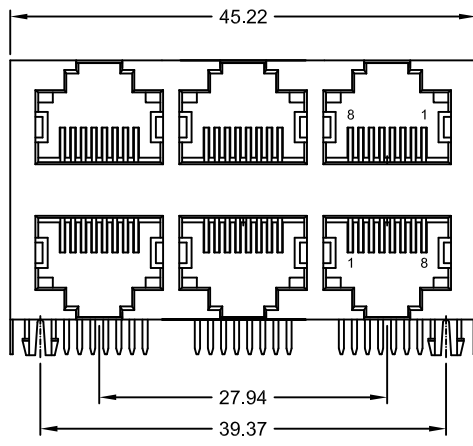
PART NUMBER	GOLD PLATING CONTACT AREA
MJS-4T88-S3L0-56/DCF	6μ"
MJS-4T88-S3L0-57/DCF	15μ"
MJS-4T88-S3L0-58/DCF	30μ"
MJS-4T88-S3L0-5H/DCF	50μ"



UNIT	mm	GENERAL TOLERANCE		DRAWN	RONNY	DATE	19.02.2014	DWG. NO.	SHEET 1/1
SCALE	Free	X.° ±	X ± 0.50	CHECK	HOGI	DATE	28.04.2014	3331515	REV. B
		.X° ±	.X ± 0.38	APPROVE	HOGI	DATE	28.04.2014	SERIES NO.	
		.XX° ±	.XX ± 0.25					MJS-4T88-S3L0-5x/DCF	
		ANG. ± 0.5°	.XXX ± 0.10						

Multi Port "over top" RJ 45 PCB Jack
2 x 2 <8P8C>
 side entry-long profile Type without LED
 fully shielded w short grd. latches around

7		8	
REV.	DESCRIPTION	DATE	DRAWN
A	New	29.04.2014	Ronny



Recommended PCB Hole Layout
(PCB TOLERANCE ±0.05)

Specifications
Electrical

Current rating: 1.5A
 Insulation resistance: 1000MΩ min. @500V DC
 Voltage rating: 125V AC rms
 Withstanding voltage: 1000V AC rms 60Hz, 1 Minute
 Contact resistance: 50mΩ max.

Mechanical Requirements

Operating Life: 750 Cycles min.

Material

Contact: Phosphor Bronze t=0.35mm
 Plating: Sn over Ni on solder area;
 Au over Ni on contact area
 Insulator: PBT Polyester UL 94V-0 (Black)
 Shield: stainless steel t=0.20mm

Storage temperature: -40°C to +85°C
 Operating temperature: 0°C to +70°C

Cavity conforms to FCC Rules and Registration PAR68, Subparts F

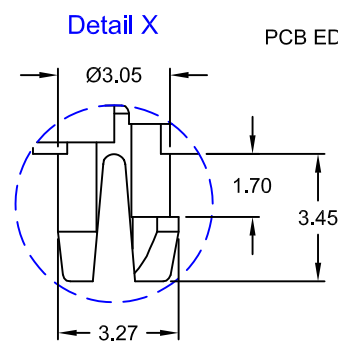
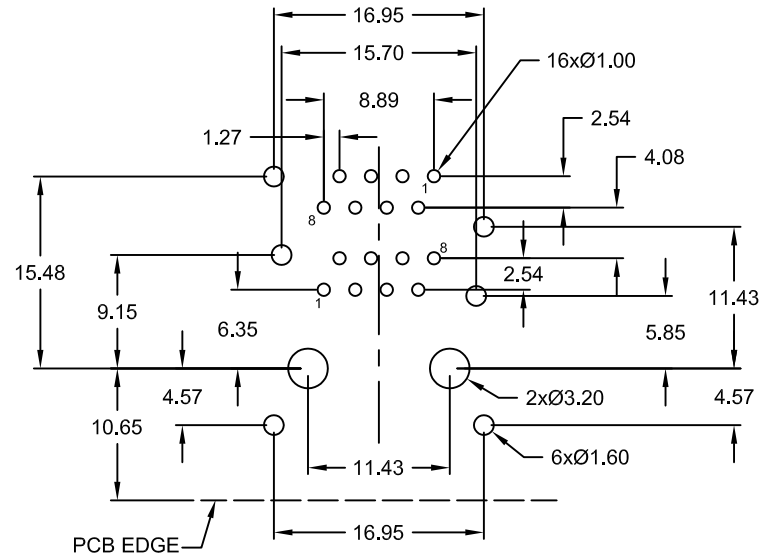
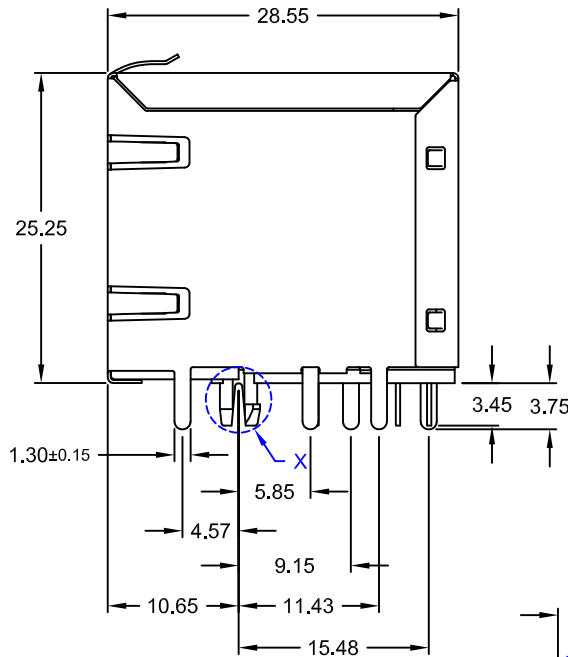
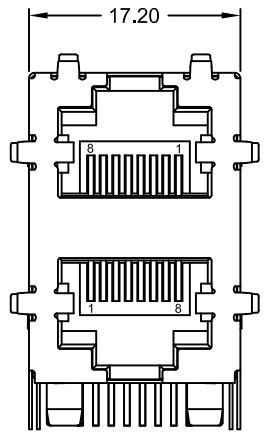
PART NUMBER	GOLD PLATING CONTACT AREA
MJS-6T88-S1L0-96/CCS	6μ"
MJS-6T88-S1L0-97/CCS	15μ"
MJS-6T88-S1L0-98/CCS	30μ"
MJS-6T88-S1L0-9H/CCS	50μ"



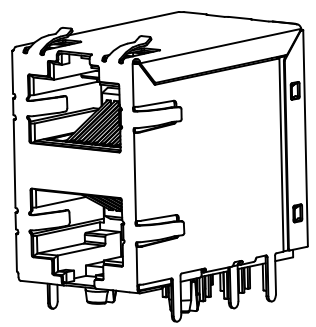
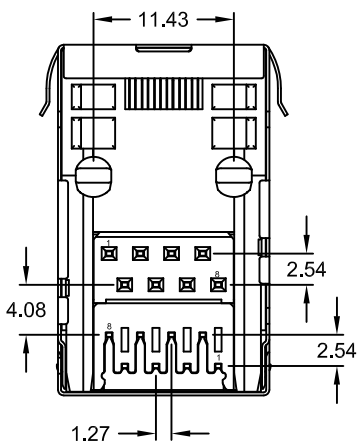
UNIT	mm	GENERAL TOLERANCE		DRAWN	DATE	DWG. NO.	SHEET 1/1
SCALE	Free	X.° ± 3°	X. ±	Ronny	29.04.2014	3331516	REV. A
		.X° ±	.X0 ± 0.38	CHECK	DATE	SERIES NO.	
		.XX° ±	.XX ± 0.25	Hogi	29.04.2014	MJS-6T88-S1L0-9x/CCS	
		.XXX° ±	.XXX ±	APPROVE	DATE		
				Hogi	29.04.2014		

STACKED GANG JACK
RJ 45 (2x3) <8P8C>
 fully shielded without gnd latches

REV.	DESCRIPTION	DATE	DRAWN
A	NEW	18.09.2015	Ryan



Recommended PCB Hole Layout
Top View
(PCB Tolerance ±0.05)



Material
 Contact: Copper Alloy t=0.35mm
 Plating: Sn on solder area;
 Au on contact area
 Insulator: PBT UL 94V-0
 Shield: Copper Alloy
 Plating: Ni
 Operating temperature: -40°C to +85°C
 Storage temperature: 0°C to +70°C

Mechanical Requirements
 Operating life 750 cycles min.

Specifications
Electrical
 Current rating: 1.5A
 Insulation resistance: 500MΩ min.
 Withstanding voltage: 1000V AC / Minute
 Contact resistance: 50mΩ max.

Cavity comply with FCC Rules and Regulations Part 68, Subpart F

PART NUMBER	GOLD PLATING CONTACT AREA
MJS-2T88-S0L0-95/CCA	3μ"
MJS-2T88-S0L0-96/CCA	6μ"
MJS-2T88-S0L0-97/CCA	15μ"
MJS-2T88-S0L0-9H/CCA	50μ"

E-tec 2015 © - all rights reserved



UNIT	SCALE	GENERAL TOLERANCE	DRAWN	DATE	DWG. NO.	SHEET 1/1
mm	Free	X.° ± X. ±	Ryan	18.09.2015	3331517	REV. A
		.X° ± .XX ± 0.25	Ronny	18.09.2015	SERIES NO.	
		.XXX° ± .XXX ±	Hogi	18.09.2015	MJS-2T88-S0L0-9x/CCA	

STACKED GANG JACK
 RJ 45 (1x2) <8P8C>
 fully shielded with gnd. latches around