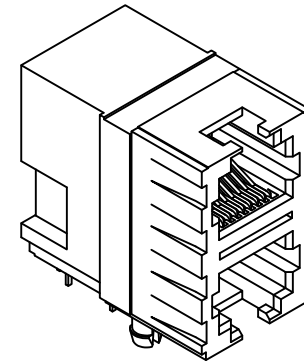
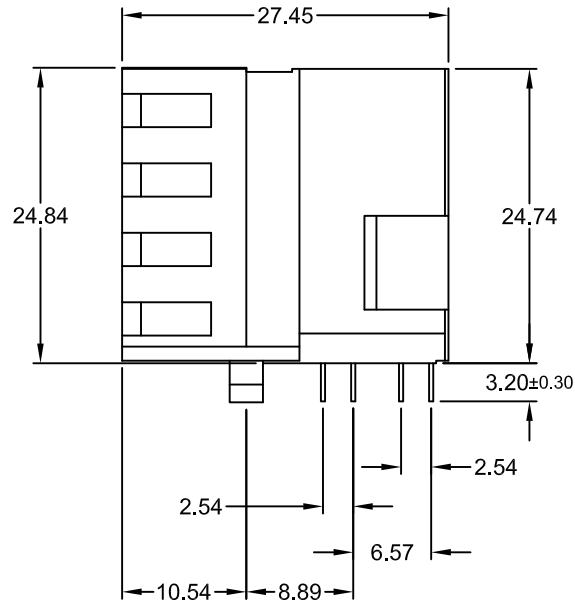
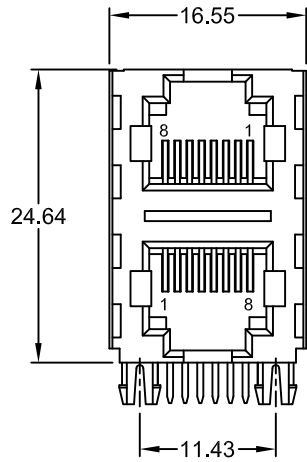


REV.	DESCRIPTION	DATE	DRAWN
A	NEW	09.03.1993	RH
B	New DWG No.	01.02.2012	Ronny
C	update	17.08.2015	Ronny



Specifications

Electrical

Current rating: 1.5A
 Insulation resistance: 1000MΩ min. @500V DC
 Voltage rating: 125V AC rms
 Withstanding voltage: 1000V AC rms 60Hz, 1 Minute
 Contact resistance: 50mΩ max.

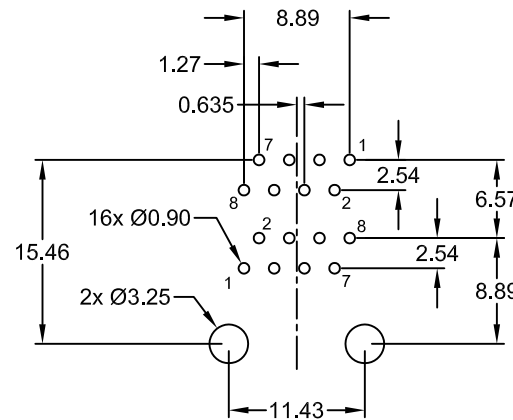
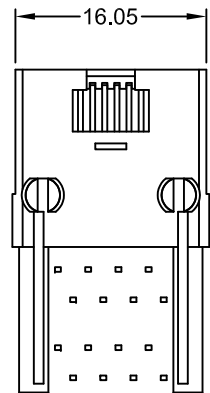
Material

Contact: Phosphor Bronze t=0.35mm
 Plating: Sn over Ni on solder area;
 Au over Ni on contact area
 Insulator: PBT UL 94V-0 (Black)

Operating temperature: -40°C to +85°C

Operating Life: 750 Cycles min.

Cavity comply with FCC Rules and Regulations
 Part 68, Subpart F



Recommended PCB Hole Layout
(Top View)

PART NUMBER	GOLD PLATING CONTACT AREA
MJS-2T88-S1L0-96	6μ"
MJS-2T88-S1L0-97	15μ"
MJS-2T88-S1L0-98	30μ"
MJS-2T88-S1L0-9H	50μ"

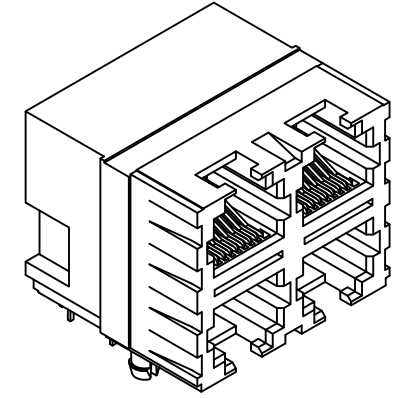
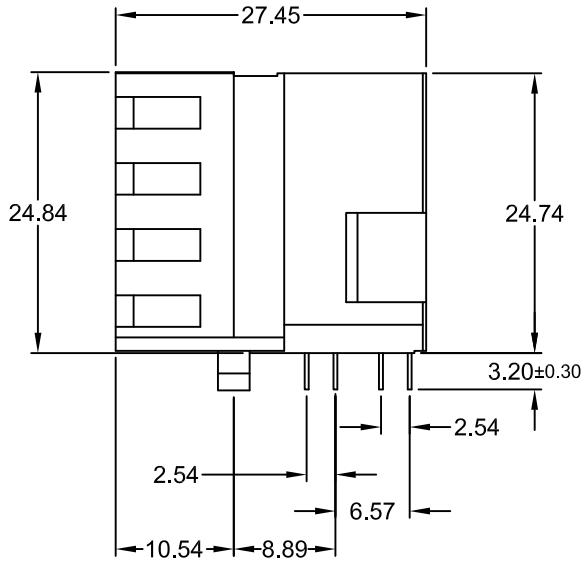
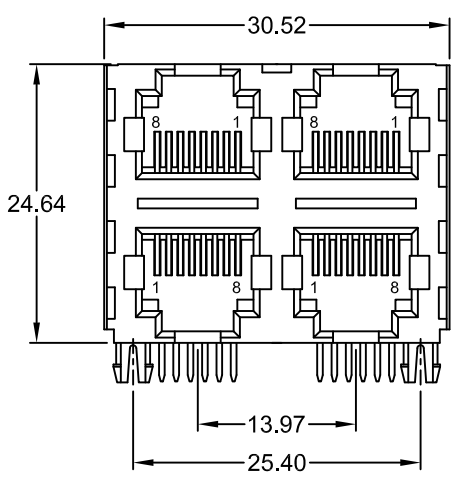
E-tec 2015 © - all rights reserved



UNIT	GENERAL TOLERANCE		DRAWN	DATE	DWG. NO.	SHEET 1/1
mm	X.° ±	X. ±	RH	09.03.1993	3311500	REV. C
SCALE	.X° ±	.X ±	CHECK	17.08.2015	SERIES NO.	
Free	.XX° ±	.XX ± 0.25	APPROVE	17.08.2015	MJS-2T88-S1L0-9x	
	.XXX° ±	.XXX ±	Hogi			

Over Top Multi Port PCB Jack
 (1x2) RJ45 <8P8C>
 non shielded

REV.	DESCRIPTION	DATE	DRAWN
A	NEW	09.03.1993	RH
B	New DWG No.	01.02.2012	Ronny
C	update	18.08.2015	Ronny



Specifications

Electrical

Current rating: 1.5A
 Insulation resistance: 1000MΩ min. @500V DC
 Voltage rating: 125V AC rms
 Withstanding voltage: 1000V AC rms 60Hz, 1 Minute
 Contact resistance: 50mΩ max.

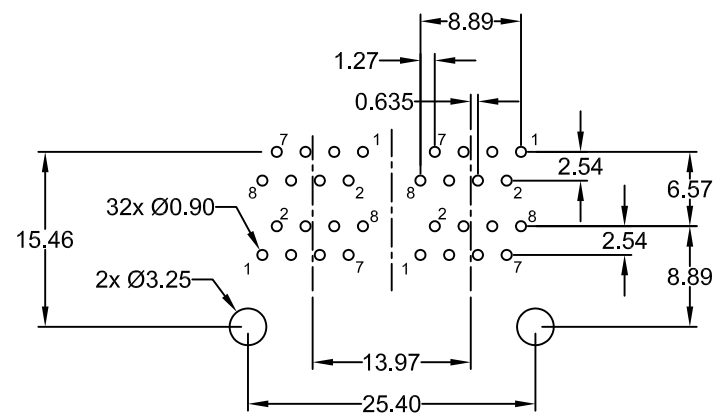
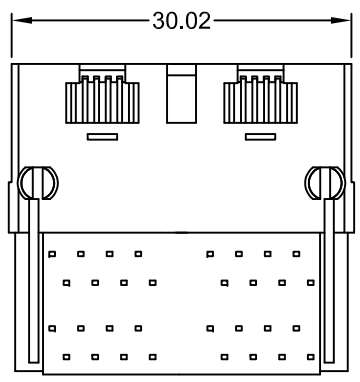
Material

Contact: Phosphor Bronze t=0.35mm
 Plating: Sn over Ni on solder area;
 Au over Ni on contact area
 Insulator: PBT UL 94V-0 (Black)

Operating temperature: -40°C to +85°C

Operating Life: 750 Cycles min.

Cavity comply with FCC Rules and Regulations
 Part 68, Subpart F



PART NUMBER	GOLD PLATING CONTACT AREA
MJS-4T88-S1L0-96	6μ"
MJS-4T88-S1L0-97	15μ"
MJS-4T88-S1L0-98	30μ"
MJS-4T88-S1L0-9H	50μ"

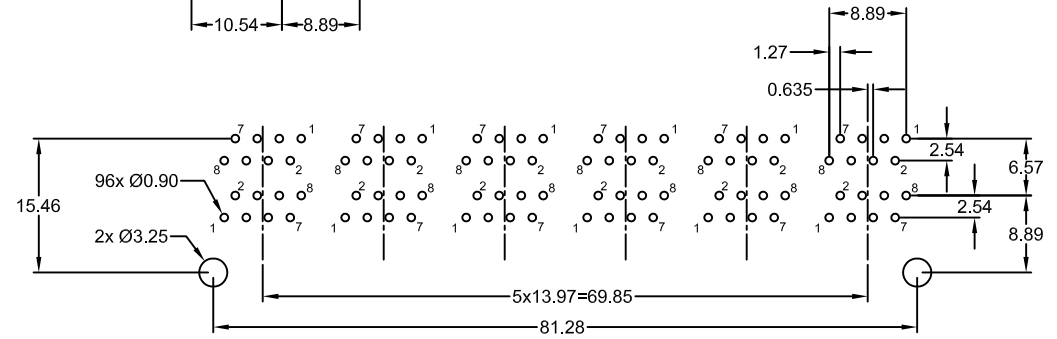
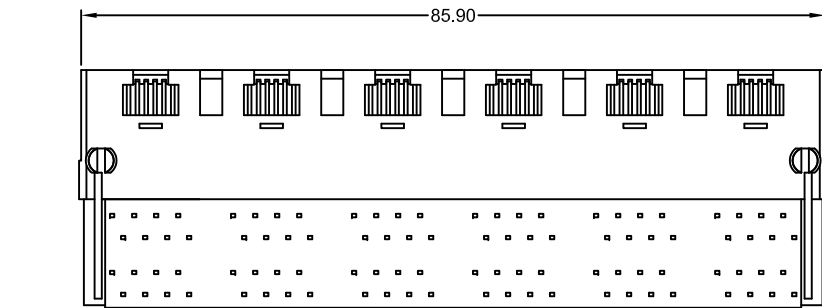
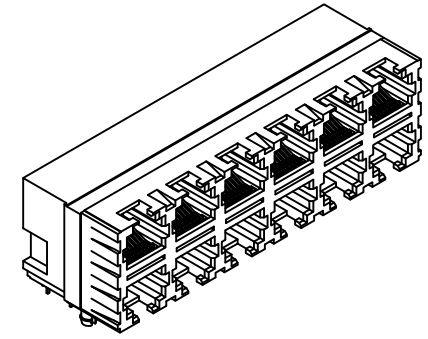
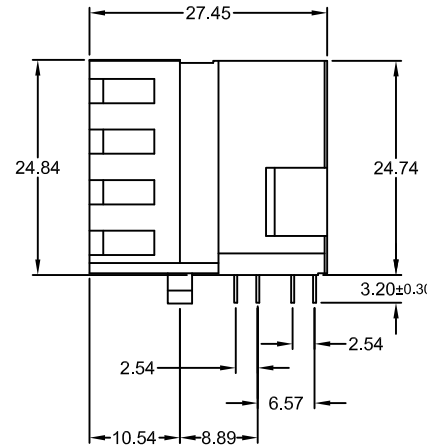
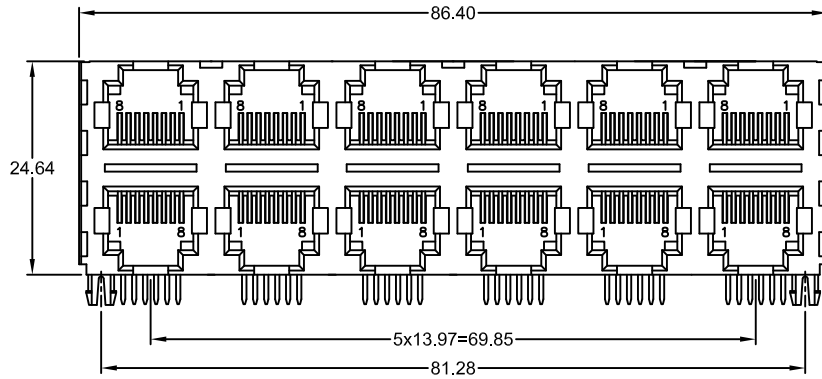
E-tec 2015 © - all rights reserved



UNIT	SCALE	GENERAL TOLERANCE	DRAWN	DATE	DWG. NO.	SHEET 1/1
mm	Free	X.° ± X. ±	RH	09.03.1993	3311501	REV. C
		.X° ± .X ±	CHECK	18.08.2015	SERIES NO.	
		.XX° ± .XX ± 0.25	APPROVE	18.08.2015	MJS-4T88-S1L0-9x	
		.XXX° ± .XXX ±	Hogi			

Over Top Multi Port PCB Jack
 (2x2) RJ45 <8P8C>
 non shielded

REV.	DESCRIPTION	DATE	DRAWN
A	NEW	10.12.2009	RH
B	New DWG No.	01.02.2012	Ronny
C	update	17.08.2015	Ronny



Recommended PCB Hole Layout
(Top View)

PART NUMBER	GOLD PLATING CONTACT AREA
MJS-12T88-S1L0-96	6μ"
MJS-12T88-S1L0-97	15μ"
MJS-12T88-S1L0-98	30μ"
MJS-12T88-S1L0-9H	50μ"



Specifications

Electrical

Current rating: 1.5A
 Insulation resistance: 1000MΩ min. @500V DC
 Voltage rating: 125V AC rms
 Withstanding voltage: 1000V AC rms 60Hz, 1 Minute
 Contact resistance: 50mΩ max.

Material

Contact: Phosphor Bronze t=0.35mm
 Plating: Sn over Ni on solder area;
 Au over Ni on contact area
 Insulator: PBT UL 94V-0 (Black)

Operating temperature: -40°C to +85°C

Operating Life: 750 Cycles min.

Cavity comply with FCC Rules and Regulations
 Part 68, Subpart F

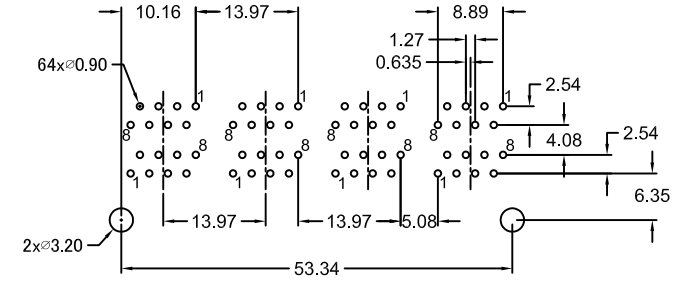
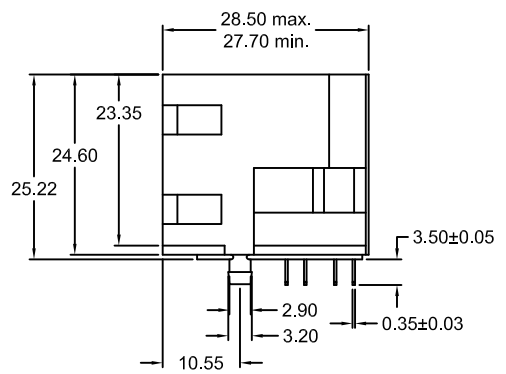
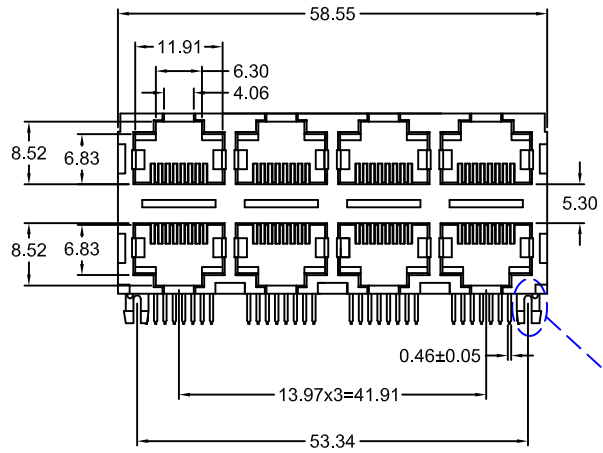
E-tec 2015 © - all rights reserved



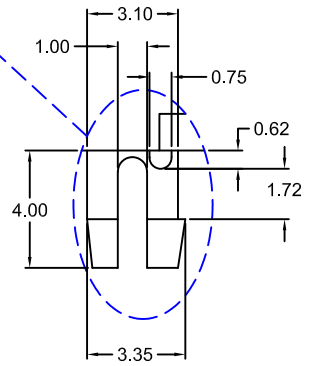
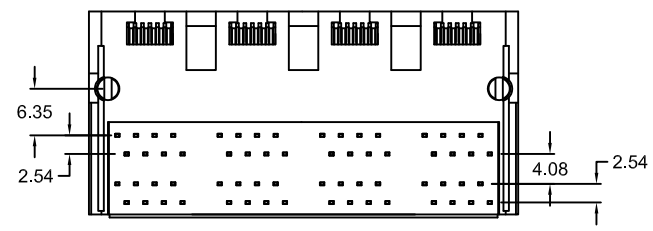
UNIT	GENERAL TOLERANCE		DRAWN	DATE	DWG. NO.	SHEET 1/1
mm	X.° ±	X. ±	RH	10.12.2009	3311503	REV. C
SCALE	.X° ±	.X ±	CHECK	17.08.2015	SERIES NO.	
Free	.XX° ±	.XX ± 0.25	APPROVE	17.08.2015	MJS-12T88-S1L0-9x	
	.XXX° ±	.XXX ±	Hogi			

Over Top Multi Port PCB Jack
 (6x2) RJ45 <8P8C>
 non shielded

REV.	DESCRIPTION	DATE	DRAWN
A	NEW	23.04.2015	Ryan



Recommended PCB Layout
(Top View)



PART NUMBER	GOLD PLATING CONTACT AREA
MJS-8T88-S3L0-56	6μ"
MJS-8T88-S3L0-57	15μ"
MJS-8T88-S3L0-58	30μ"
MJS-8T88-S3L0-5H	50μ"

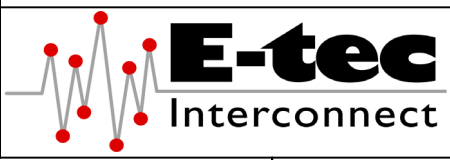
SPECIFICATIONS

Electrical:
 Current rating: 1.5A
 Insulation resistance: 500MΩ min./500V DC
 Withstanding voltage: 1000V rms 60Hz/Minute
 Contact resistance: 50mΩ max./20mV DC

Temperature range: -40°C ~ +85°C

Material:
 Housing: PBT UL 94V-0 color: Black
 Insert: PBT UL 94V-0 color: Black
 Contact: PhBz; solder area Au flash plated
 entire contact Nickel underplated

Cavity conforms to FCC rules and regulations Part 68, Subpart F



UNIT	mm	GENERAL TOLERANCE		DRAWN	DATE	DWG. NO.	SHEET 1/1
SCALE	Free	X.° ±	X. ±	Ryan	23.04.2015	3311504	REV. A
		.X° ±	.X ± 0.38	CHECK	DATE	SERIES NO.	
		.XX° ±	.XX ± 0.25	Ronny	23.04.2015	MJS-8T88-S3L0-5x	
		.XXX° ±	.XXX ± 0.15	APPROVE	DATE		
				Hogi	24.04.2015		

STACKED GANG JACK
 RJ45 (4x2) <8P8C>
 non shielded