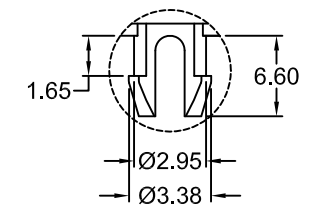
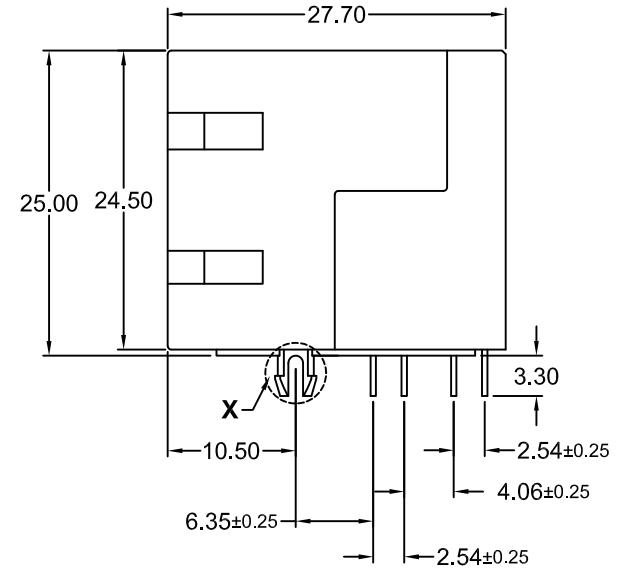
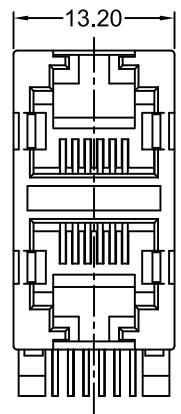
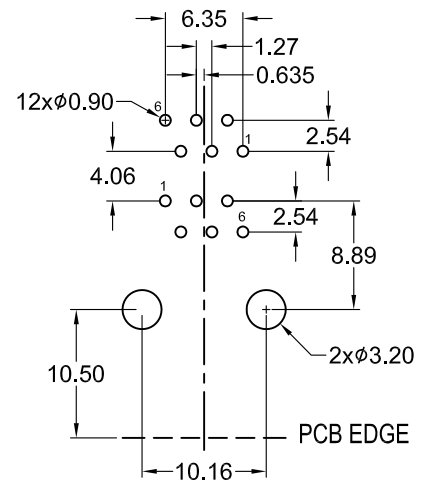
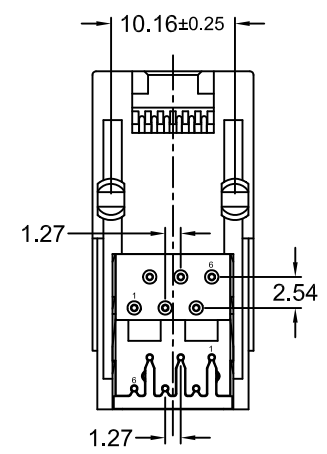
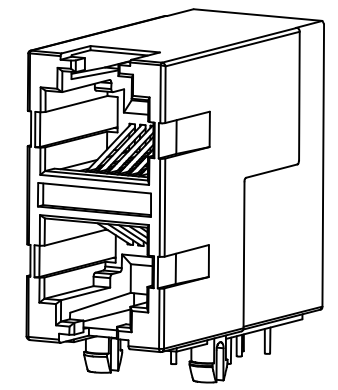


REV.	DESCRIPTION	DATE	DRAWN
A	NEW	04.07.2013	Ryan Chou



Detail X



Recommended PCB Hole Layout
(Top View)



Specifications

- Current rating: 1.5A
- Insulation resistance: 500MΩ min.
- Withstanding voltage: 1000V rms 60Hz / Minute
- Contact resistance: 50mΩ max.
- Operating temperature: -40°C to +85°C

Materials

- Contact: Copper Alloy (t=0.45mm)
- Plating: Au in solder area; Au in contact area
- Insulator: P.B.T. UL 94V-0 (Black)

Cavity conforms to FCC Rules and Registration PAR68, Subparts F

PART NUMBER	GOLD PLATING CONTACT AREA
MJS-2T66-S0L0-55	3μ"
MJS-2T66-S0L0-56	6μ"
MJS-2T66-S0L0-57	15μ"
MJS-2T66-S0L0-58	30μ"
MJS-2T66-S0L0-5H	50μ"



UNIT mm	GENERAL TOLERANCE		DRAWN Ryan Chou	DATE 04.07.2013	DWG. NO. 3311300	SHEET 1/1
	X.° ±	.X° ±				
	SCALE Free	X. ±	.X ± 0.25	CHECK Ronny	DATE 04.07.2013	REV. A
	⊕	XX. ±	.XX ± 0.15	APPROVE Hogji	DATE 04.07.2013	Series NO. MJS-2T66-S0L0-xx
	XXX. ±	.XXX ± 0.075				

STACKED GANG JACK
RJ12 (1x2) <6P6C>
side entry - non shielded