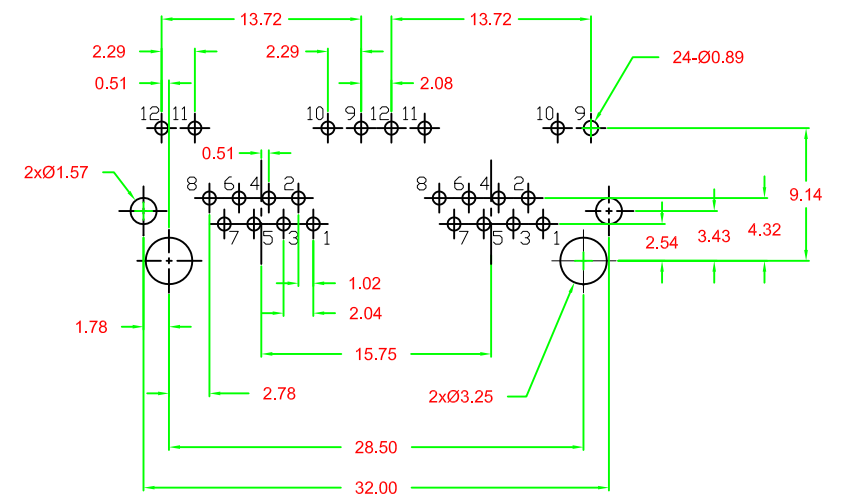
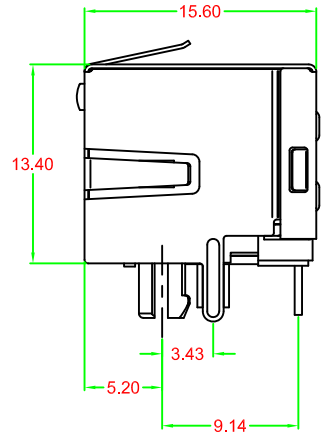
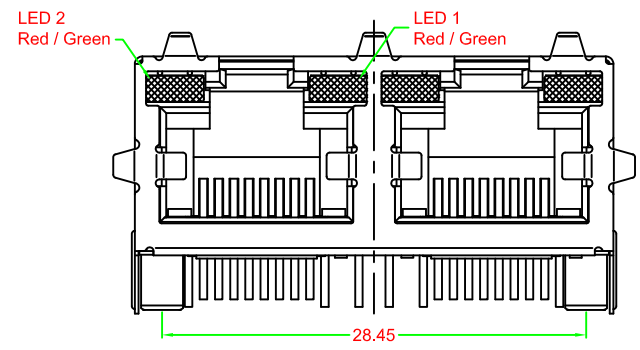
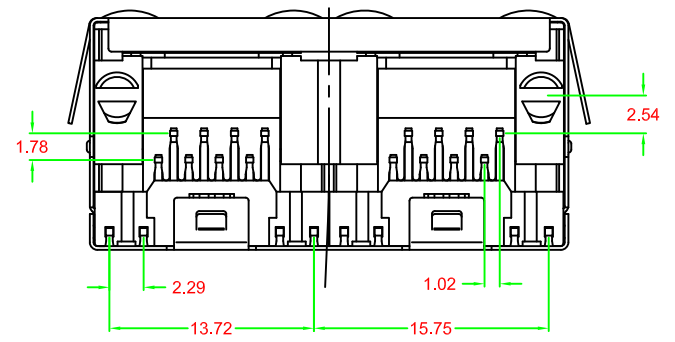


REV.	DESCRIPTION	DRAWN	DATE
A	Release	Ryan Chou	29.06.2009
B	New DWG. No.	Ronny	01.02.2012



Recommended PCB Hole Layout
Top View
(PCB TOLERANCE ±0.05)



SPECIFICATIONS

- Current rating: 1.5A
- Insulation resistance: 500MΩ min./500V DC
- Dielectric withstanding: 1000V rms 60Hz/Minute
- Contact resistance: 40mΩ max./20mV DC
- Operating temperature: -40C ~ +105C
- Insulator material: PBT UL 94V-0 color: Black Material
- Contact: PhBz; Au plated on contact, Sn on solder area
- Shield: Brass; Nickel plated



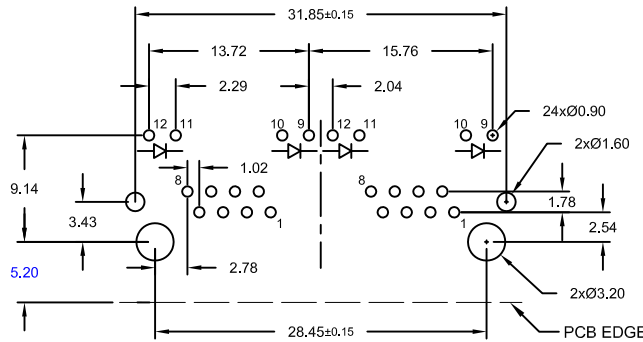
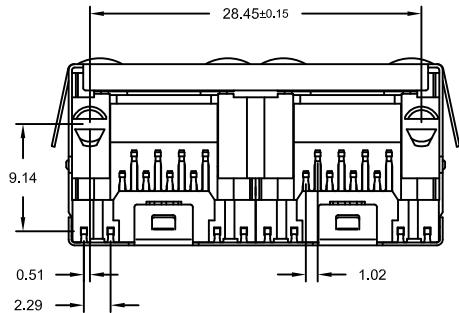
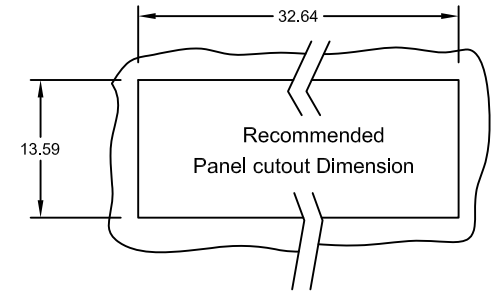
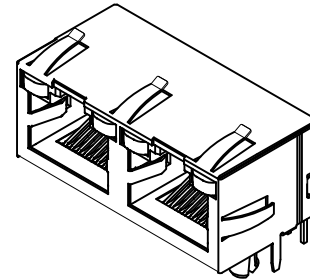
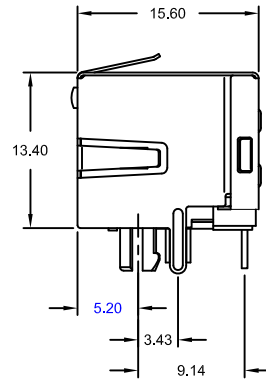
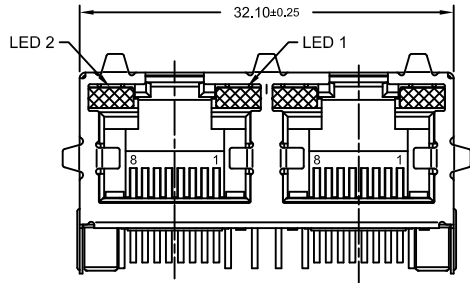
PART NUMBER	GOLD PLATING CONTACT AREA
MJS-288-L0S0-95/3BCA	3μ"
MJS-288-L0S0-96/3BCA	6μ"
MJS-288-L0S0-97/3BCA	15μ"
MJS-288-L0S0-98/3BCA	30μ"
MJS-288-L0S0-9H/3BCA	50μ"



UNIT mm	GENERAL TOLERANCE		DRAWN Ryan Chou	DATE 29.06.2009	DWG. NO. 2341500	SHEET 1/1
	X.° ± 3°	.X° ±	CHECK Ronny	DATE 01.02.2012		Series NO. MJS-288-L0S0-9x/3BCA
	SCALE Free	XX. ±	.XX ± 0.25	APPROVE Hogi	DATE 01.02.2012	
		XXX. ±	.XXX ±			

Multi Port Side Entry Jack RJ 45
2 x <8P8C> short profile with LED's
fully shielded with Grd. Latches around

REV.	LOCAS.	DESCRIPTION	DATE	DRAWN
A		NEW	10.03.2007	RH
B		FRAME	28.04.2010	Jerry
C		update	06.01.2012	RONNY
D		New DWG. No.	01.02.2012	RONNY



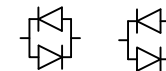
Recommended PCB Layout
(Top View)

LED Schematic

typical for single color LED



typical for bi color LED



SPECIFICATION

- ELECTRICAL**
Insulation Resistance - 500MΩ min.
Contact Resistance - 50mΩ max.
Withstanding Voltage - 1000V AC 1 Minute
Current Rating - 1.5A
- MATERIAL:**
Housing - PBT UL 94V-0 (black)
Contact - PhBz; Sn/Au plated
Shield - Brass; Ni plated



- Operating life: 750 Cycles min.
- Temperature range: -40°C to +85°C
- Cavity conform to FCC Rules and Registration PAR68, Subparts F

Replace "x" with
LED Color Options

	LED Color Options	
	LED 2	LED 1
1	YELLOW	GREEN
2	NO LED	GREEN
3	GREEN	NO LED
4	GREEN	YELLOW
5	GREEN	GREEN
6	YELLOW	YELLOW
7	ORANGE/GREEN	ORANGE/GREEN
8	YELLOW/GREEN	YELLOW/GREEN
9	RED	NO LED
A	GREEN/YELLOW	GREEN/YELLOW
B	RED/GREEN	RED/GREEN
C	RED/GREEN	GREEN/YELLOW
D	GREEN	GREEN/YELLOW
E	YELLOW	GREEN/YELLOW

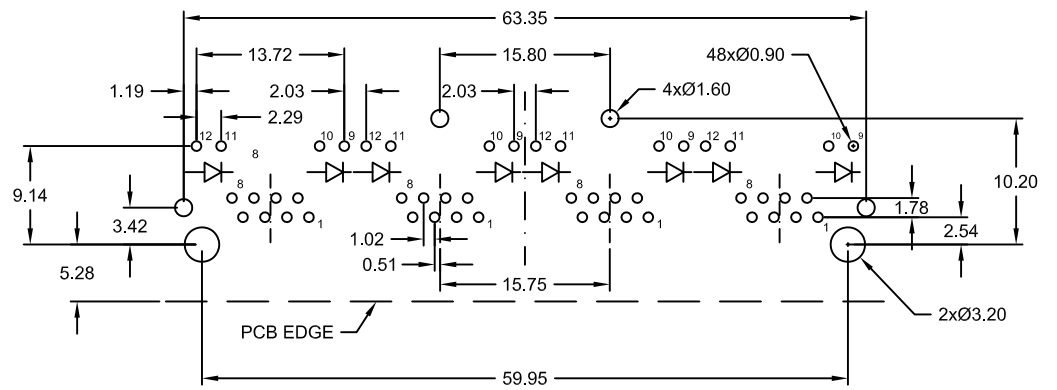
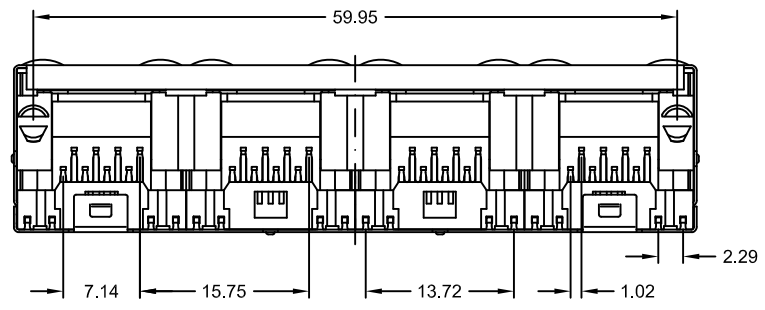
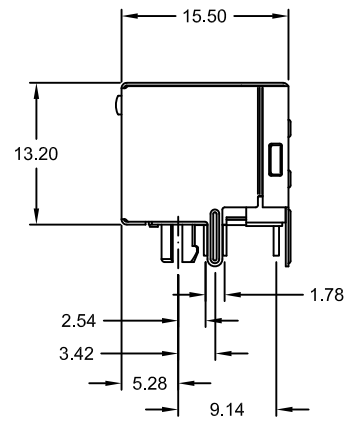
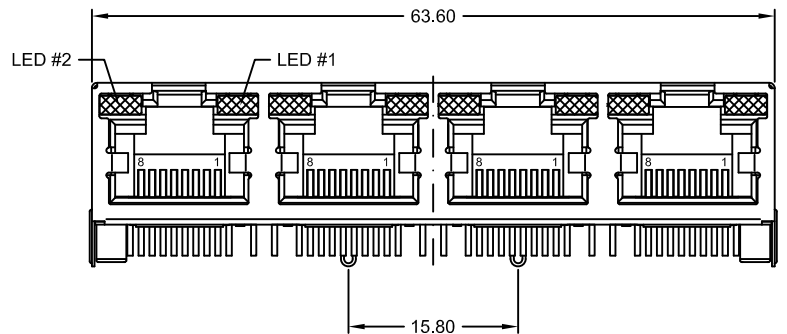
PART NUMBER	GOLD PLATING CONTACT AREA
MJS-288-L0S0-96/3xCB	6μ"
MJS-288-L0S0-97/3xCB	15μ"
MJS-288-L0S0-98/3xCB	30μ"
MJS-288-L0S0-9H/3xCB	50μ"



UNIT	GENERAL TOLERANCE		DRAWN	DATE	DWG. NO.	SHEET 1/1
mm	X.° ±	X. ±	RH	10.03.2007	2341501	
SCALE	.X° ±	.X ± 0.25	CHECK	01.02.2012		REV. D
Free	.XX° ±	.XX ± 0.15	APPROVE	01.02.2012		
	.XXX° ±	.XXX ± 0.075	HOGI			
					SERIES NO.	
					MJS-288-L0S0-9x/3xXX	

Multi Port RJ 45 PCB Jack
2 x <8P8C> side by side
 side entry-low profile Type with LED
 fully shielded with GRD. Latches

REV.	DESCRIPTION	DRAWN	DATE
A	New	Ronny	08.02.2011
B	update DIM PCB Layout	Ronny	14.04.2011
C	New DWG. No.	Ronny	01.02.2012



Recommended PCB Layout
(Top View)

SPECIFICATION

- ELECTRICAL**
 Insulation Resistance - 500MΩ min.
 Contact Resistance - 50mΩ max.
 Withstanding Voltage - 1000V AC 1 Minute
 Current Rating - 1.5A
- MATERIAL:**
 Housing - PBT UL 94V-0 (black)
 Contact - 0.35mm PhBz; Sn/Au plated
 Shield - Brass; Ni plated
- Operating life: 750 Cycles min.
- Temperature range: -40°C to +85°C
- Cavity conform to FCC Rules and Registration PAR68, Subparts F

Replace "x" with LED Color Options

	LED Color Options	
	LED 2	LED 1
1	YELLOW	GREEN
2	NO LED	GREEN
3	GREEN	NO LED
4	GREEN	YELLOW
5	GREEN	GREEN
6	YELLOW	YELLOW
7	ORANGE/GREEN	ORANGE/GREEN
8	YELLOW/GREEN	YELLOW/GREEN
9	RED	NO LED
A	GREEN/YELLOW	GREEN/YELLOW
B	RED/GREEN	RED/GREEN
C	RED/GREEN	GREEN/YELLOW
D	GREEN	GREEN/YELLOW
E	YELLOW	GREEN/YELLOW

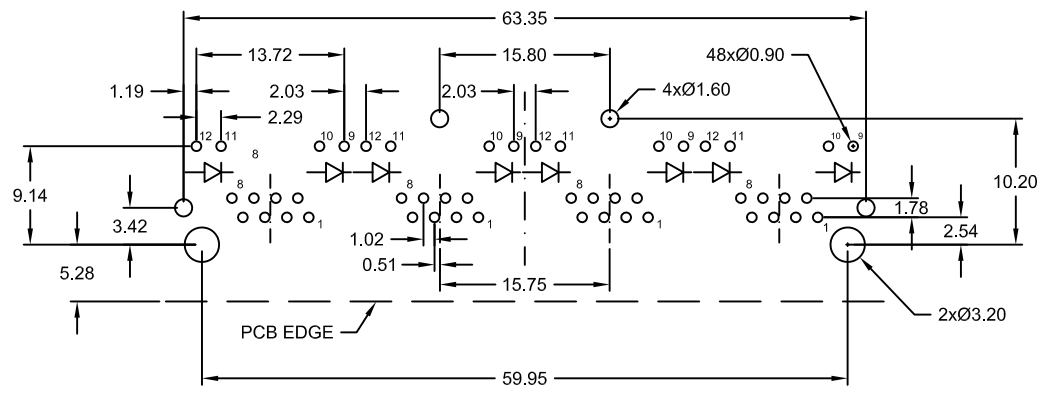
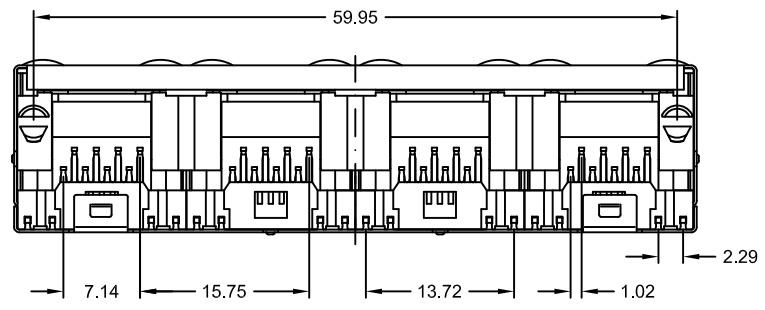
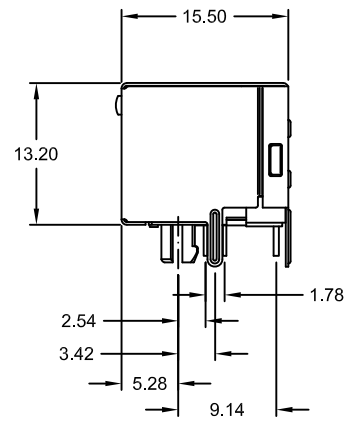
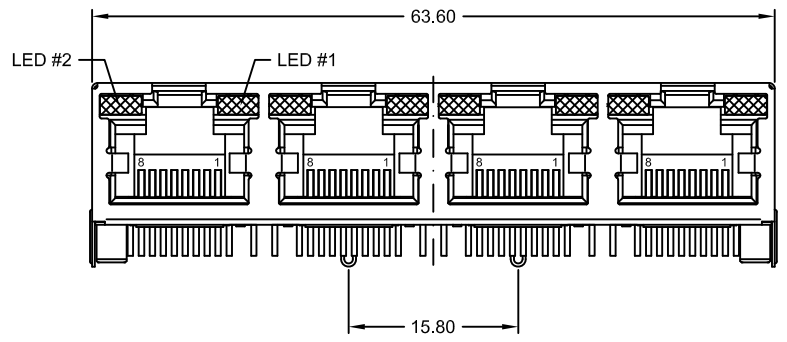
PART NUMBER	GOLD PLATING CONTACT AREA
MJS-488-L0S0-95/4xCS	3μ"
MJS-488-L0S0-96/4xCS	6μ"
MJS-488-L0S0-97/4xCS	15μ"
MJS-488-L0S0-98/4xCS	30μ"
MJS-488-L0S0-9H/4xCS	50μ"



UNIT mm	GENERAL TOLERANCE		DRAWN Ronny	DATE 08.02.2011	DWG. NO. 2341502	SHEET 1/1
SCALE Free	X.° ±	.X° ±	CHECK Ronny	DATE 01.02.2012	Series NO. MJS-488-L0S0-9x/4xCS	REV. C
	XX. ±	.XX ± 0.15	APPROVE Hogi	DATE 01.02.2012		
	XXX. ±	.XXX ± 0.075				

Multi Port "side by side" RJ 45 PCB JACK
4 x <8P8C> "TAB UP"
 SIDE ENTRY-SHORT PROFILE TYPE with LED
FULLY SHIELDED without GRD. LATCHES

REV.	DESCRIPTION	DRAWN	DATE
A	New	RH	31.05.2011
B	New DWG. No.	Ronny	01.02.2012



Recommended PCB Layout
(Top View)

SPECIFICATION

- ELECTRICAL**
 Insulation Resistance - 500MΩ min.
 Contact Resistance - 50mΩ max.
 Withstanding Voltage - 1000V AC 1 Minute
 Current Rating - 1.5A
- MATERIAL:**
 Housing - PBT UL 94V-0 "yellow"
 Contact - 0.35mm PhBz; Sn/Au plated
 Shield - Brass; Ni plated
- Operating life: 750 Cycles min.
- Temperature range: -40°C to +85°C
- Cavity conform to FCC Rules and Registration PAR68, Subparts F

Replace "x" with LED Color Options

	LED Color Options	
	LED 2	LED 1
1	YELLOW	GREEN
2	NO LED	GREEN
3	GREEN	NO LED
4	GREEN	YELLOW
5	GREEN	GREEN
6	YELLOW	YELLOW
7	ORANGE/GREEN	ORANGE/GREEN
8	YELLOW/GREEN	YELLOW/GREEN
9	RED	NO LED
A	GREEN/YELLOW	GREEN/YELLOW
B	RED/GREEN	RED/GREEN
C	RED/GREEN	GREEN/YELLOW
D	GREEN	GREEN/YELLOW
E	YELLOW	GREEN/YELLOW

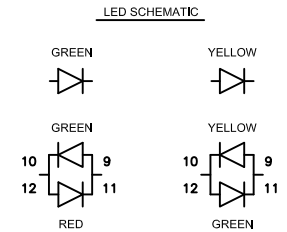
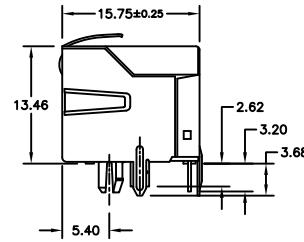
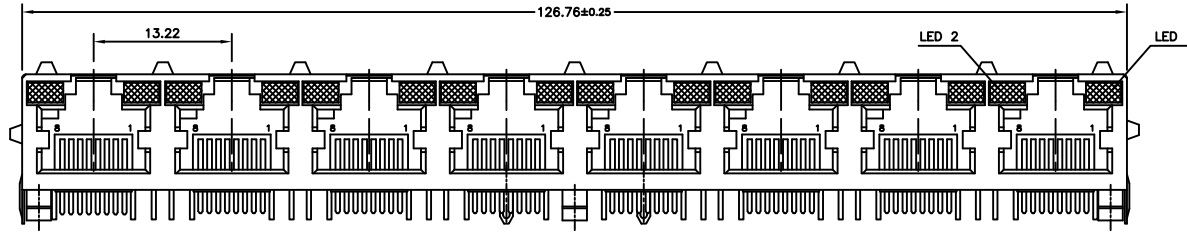
PART NUMBER	GOLD PLATING CONTACT AREA
MJS-488-L0S0-954xCSY	3μ"
MJS-488-L0S0-964xCSY	6μ"
MJS-488-L0S0-974xCSY	15μ"
MJS-488-L0S0-984xCSY	30μ"
MJS-488-L0S0-9H4xCSY	50μ"



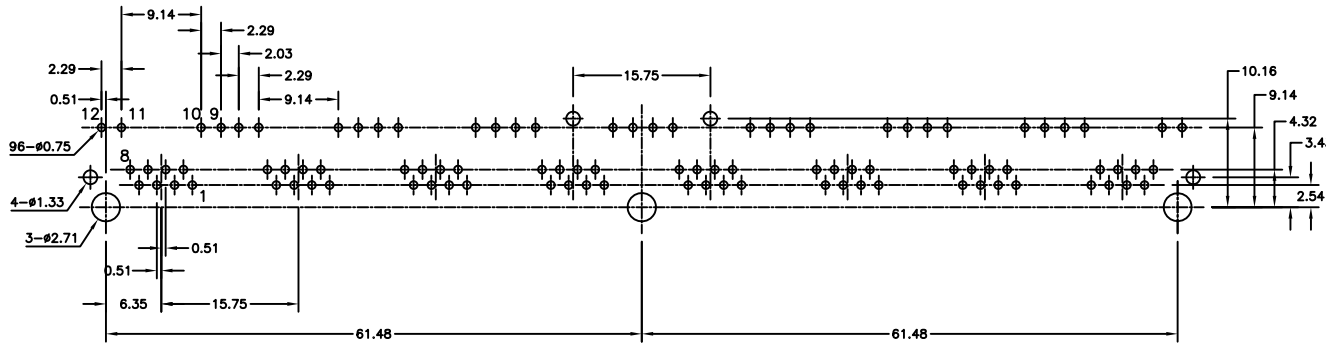
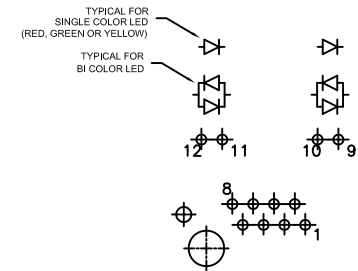
UNIT mm	GENERAL TOLERANCE		DRAWN RH	DATE 31.05.2011	DWG. NO. 2341503	SHEET 1/1
	SCALE Free	X.° ±	.X° ±	CHECK Ronny	DATE 01.02.2012	REV. B
		XX. ±	.XX ± 0.15	APPROVE Hogji	DATE 01.02.2012	
		XXX. ±	.XXX ± 0.075			
					Series NO. MJS-488-L0S0-9x4xCSY	

Multi Port "side by side" RJ 45 PCB JACK
Yellow Type 4 x <8P8C> "TAB UP"
 SIDE ENTRY-SHORT PROFILE TYPE with LED
FULLY SHIELDED whitout GRD. LATCHES

REV.	LOCAS.	DESCRIPTION	DATE	DRAWN
A		Initial Release	25,09,2003	HUANG
B		New DWG. No.	01,02,2012	Ronny



BI-COLOR LED DETAIL
please go to below
"LED Color Options" Table



NOTES:

- MATERIALS:
HOUSING TOP: PBT BLACK UL94 V-0
HOUSING BOTTOM: NYLON-46 BLACK UL94 V-0
CONTACTS: T=0.35mm PhBz, 50µ" NICKEL UNDERPLATE
GOLD FLASH ON TERMINATION END
15µ" GOLD ON CONTACT AREA
SHIELD: T=0.25mm COPPER ALLOY PLATED WITH TIN
- OPERATING TEMPERATURE: -40°C ~ +85°C
- CAVITY CONFORMS TO FCC RULES AND REGULATIONS PART 68, SUBPART F
- UNSPECIFIED TOLERANCE: .XX ± 0.25
.X ± 0.30



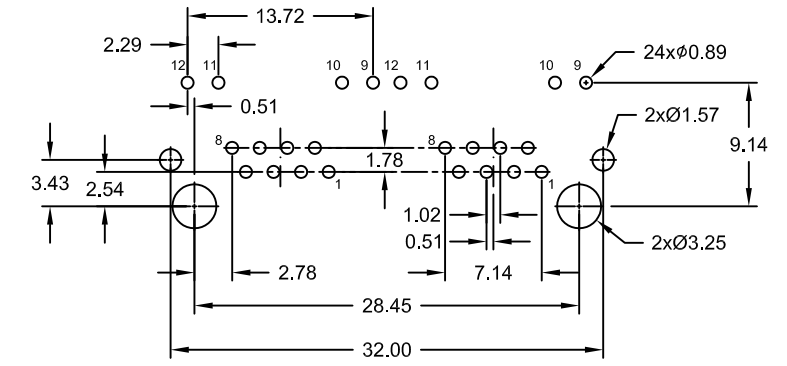
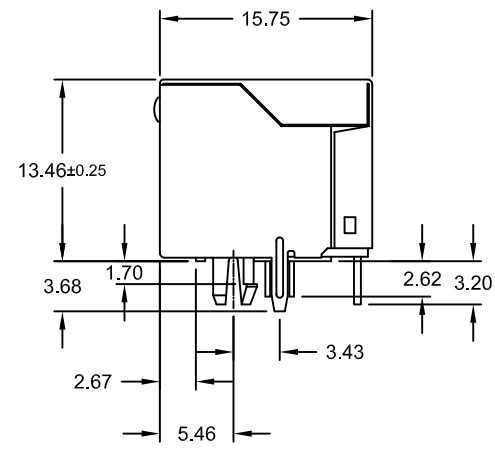
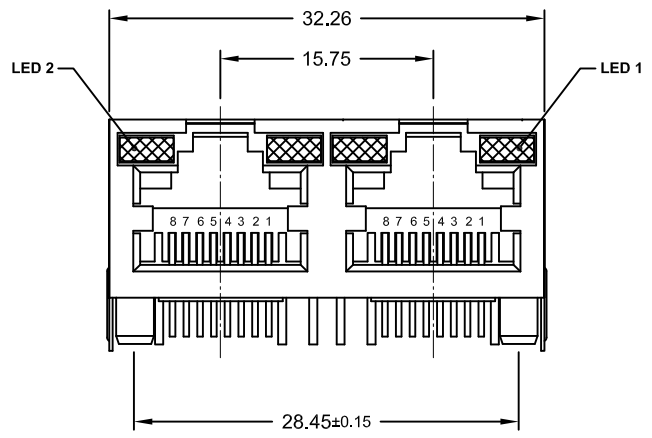
PART NUMBER	LED Color Options	
	Position 1	Position 2
MJS-888-L3S1-57/44CA	YELLOW	GREEN



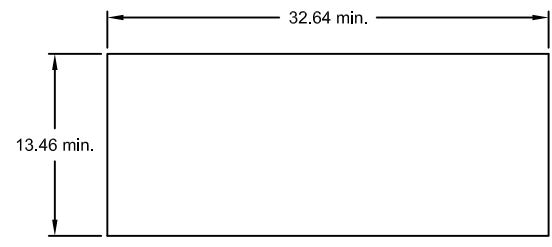
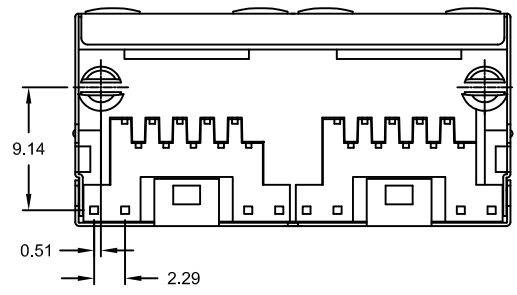
UNIT	mm	GENERAL TOLERANCE		DRAWN	DATE	DWG. NO.	SHEET 1/1
SCALE	Free	X.° ± 5°	X. ± 0.30	HUANG	25.09.2003		2341507
		.X° ± 3°	.X ± 0.25	CHECK	DATE	SERIES NO.	
		.XX° ± 2°	.XX ± 0.20	Ronny	01.02.2012		MJS-888-L3S1-57/x4CA
		.XXX° ± 1°	.XXX ± 0.10	APPROVE	DATE		
				Hogi	01.02.2012		

8 PORT RJ45 GANG JACK
<8P8C> WITH LED
FULLY SHIELDED W GRD. LATCHES

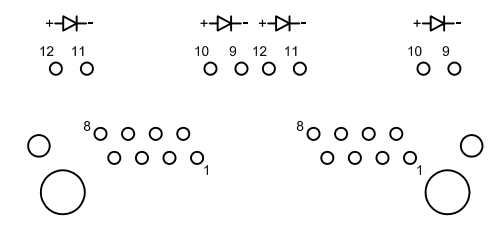
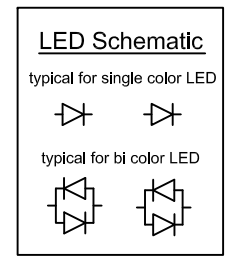
REV.	DESCRIPTION	DATE	DRAWN
A	NEW	18.08.2014	Ryan



Recommended PCB Layout



Recommended Panel Cutout



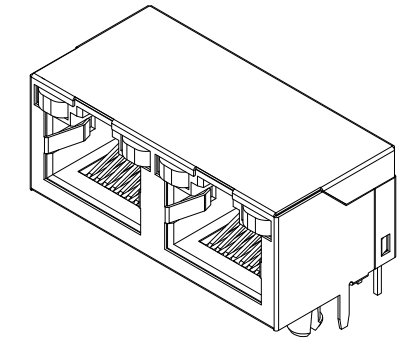
SPECIFICATIONS

ELECTRICAL:

Current rating: 1.5A
 Insulation resistance: 500MΩ min./500V DC
 Withstanding voltage: 1000V rms 60Hz/Minute
 Contact resistance: 50mΩ max./20mV DC
 Temperature range: 0°C ~ +70°C

MATERIAL:

Insulator: PBT UL 94V-0 color: Black
 Contact: PhBz; Au plated on contact, Sn on solder area
 Shield: Brass (t=0.25); Nickel plated



PART NUMBER	GOLD PLATING CONTACT AREA
MJS-288-L1S0-96/3xCS	6μ"
MJS-288-L1S0-97/3xCS	15μ"
MJS-288-L1S0-98/3xCS	30μ"
MJS-288-L1S0-9H/3xCS	50μ"

Replace "x" with LED Color Options

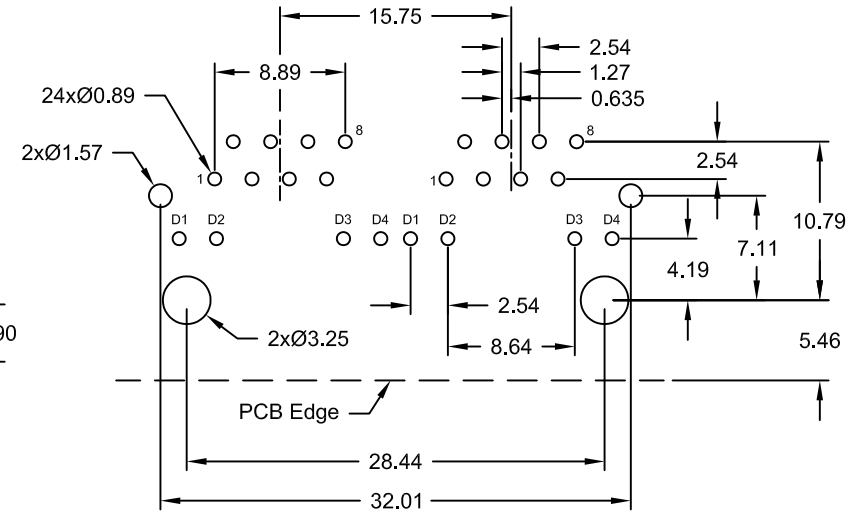
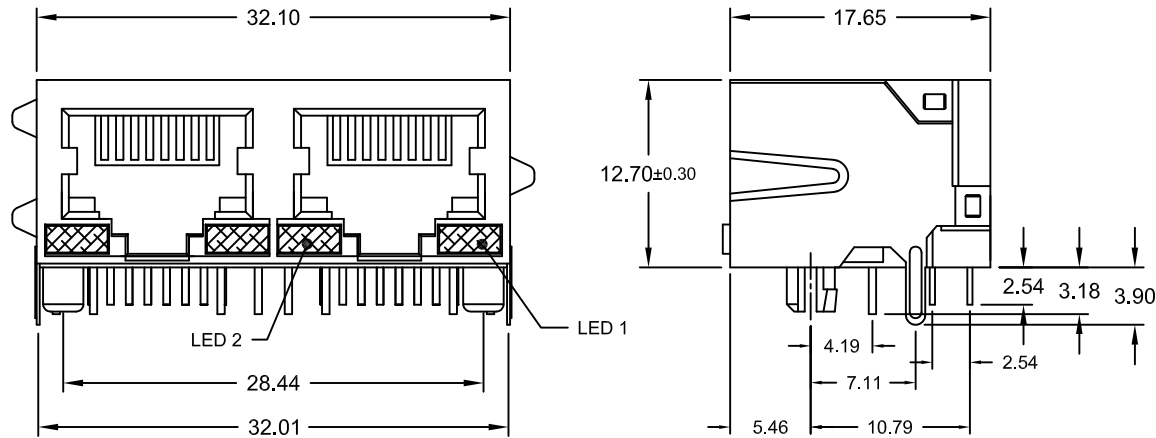
	LED Color Options	
	LED 2	LED 1
1	YELLOW	GREEN
2	NO LED	GREEN
3	GREEN	NO LED
4	GREEN	YELLOW
5	GREEN	GREEN
6	YELLOW	YELLOW
7	ORANGE/GREEN	ORANGE/GREEN
8	YELLOW/GREEN	YELLOW/GREEN
9	RED	NO LED
A	GREEN/YELLOW	GREEN/YELLOW
B	RED/GREEN	RED/GREEN
C	RED/GREEN	GREEN/YELLOW
D	GREEN	GREEN/YELLOW
E	YELLOW	GREEN/YELLOW



UNIT	GENERAL TOLERANCE		DRAWN	DATE	DWG. NO.	SHEET 1/1
mm	X.° ±	X. ±	Ryan	18.08.2014	2341509	REV. A
SCALE	.X° ±	.X ± 0.38	CHECK	Ronny	18.08.2014	SERIES NO.
	.XX° ±	.XX ± 0.25	APPROVE	Hogi	18.08.2014	MJS-288-L1S0-9x/3xCS
	.XXX° ±	.XXX ± 0.10				

Multi Port RJ 45 Jack side entry
"TAB UP"
 2x<8P8C> short profile with LED's
 fully shielded without gnd. latch

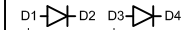
REV.	DESCRIPTION	DATE	DRAWN
A	NEW	21.05.2015	Ryan



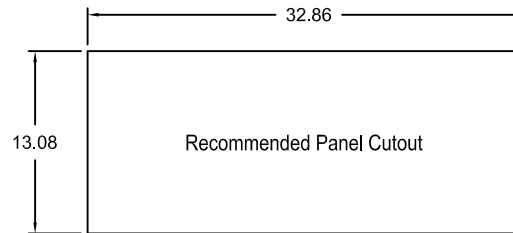
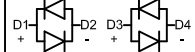
Recommended PCB Layout Top View
(Tolerance ±0.08)

LED Schematic

typical for single color LED



typical for bi color LED



Material

Contact: Phosphor Bronze t=0.35mm
 Plating: Sn on solder area;
 Au on contact area
 Shield: Copper Alloy t=0.25mm
 Plating: Ni
 Insulator: PBT (black) UL 94V-0

Operating temperature: -0°C to +70°C

Operating life: 750 Cycles min.

Cavity comply with FCC Rules and Regulations
 Part 68, Subpart F

Specifications

Electrical

Current rating: 1.5A
 Insulation resistance: 500MΩ min. / 500V DC
 Withstanding voltage: 1000V rms 60Hz / Minute
 Contact resistance: 50mΩ max. / 20mV DC

Replace "x" with
LED Color Options

PART NUMBER	GOLD PLATING CONTACT AREA
MJS-288-LLCS0-95/UxCC	3μ"
MJS-288-LLCS0-96/UxCC	6μ"
MJS-288-LLCS0-97/UxCC	15μ"
MJS-288-LLCS0-98/UxCC	30μ"
MJS-288-LLCS0-9H/UxCC	50μ"

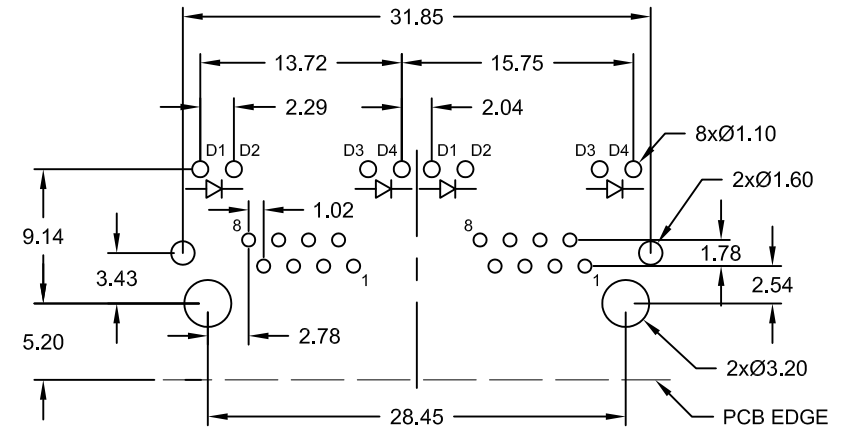
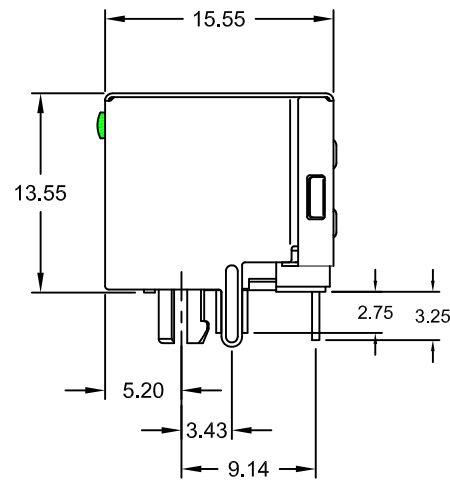
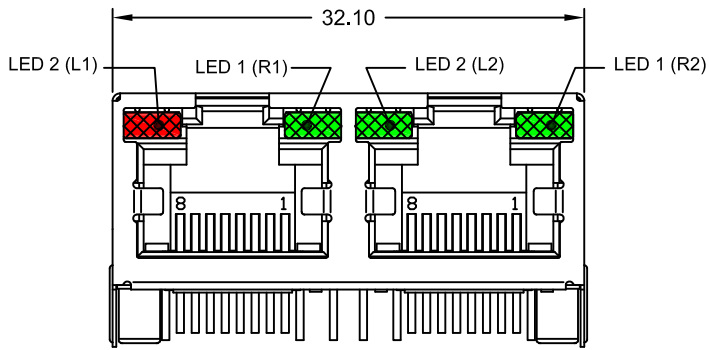
	LED 2	LED 1
1	YELLOW	GREEN
2	NO LED	GREEN
3	GREEN	NO LED
4	GREEN	YELLOW
5	GREEN	GREEN
6	YELLOW	YELLOW
7	ORANGE/GREEN	ORANGE/GREEN
8	YELLOW/GREEN	YELLOW/GREEN
9	RED	NO LED
A	GREEN/YELLOW	GREEN/YELLOW
B	RED/GREEN	RED/GREEN
C	RED/GREEN	GREEN/YELLOW
D	GREEN	GREEN/YELLOW
E	YELLOW	GREEN/YELLOW



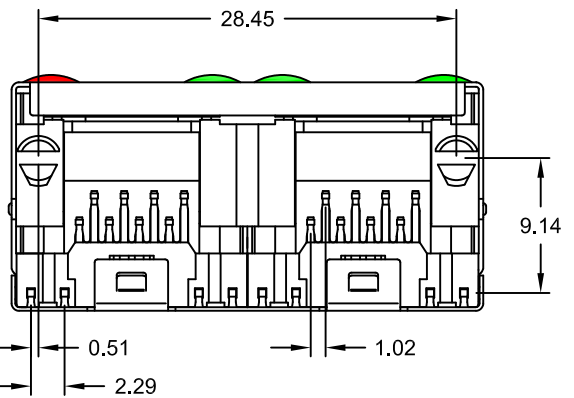
UNIT	GENERAL TOLERANCE		DRAWN	DATE	DWG. NO.	SHEET 1/1
mm	X.° ±	X. ±	Ryan	21.05.2015	2341510	REV. A
SCALE	.X° ±	.X ±	CHCK Ronny	21.05.2015		
	.XX° ±	.XX ± 0.25	APPROVE Hogi	21.05.2015	SERIES NO.	
	.XXX° ±	.XXX ±			MJS-288-LLCS0-9x/UxCC	

Multi Port RJ 45 Jack side entry
"TAB down"
 2x<8P8C> short profile with LED's
 fully shielded with gnd. latch

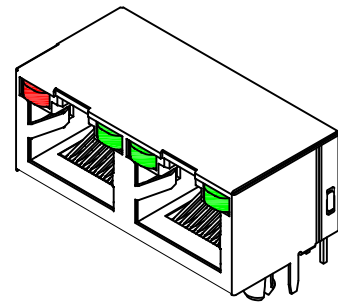
REV.	DESCRIPTION	DATE	DRAWN
A	NEW	27.05.2015	Ryan



Recommended PCB Layout Top View
(Tolerance ±0.05)



LED Electrical characteristic	
LED 2 (L1) D1 - D2 + - Red	LED 1 (R1) D3 - D4 + - Green
LED Electrical characteristic	
LED 2 (L2) D1 - D2 + - Green	LED 1 (R2) D3 - D4 + - Green



Material
 Contact: Copper Alloy t=0.35mm
 Plating: Sn on solder area;
 Au on contact area
 Shield: Copper Alloy
 Plating: Ni
 Insulator: Thermoplastic (black) UL 94V-0
 Operating temperature: -0°C to +70°C
 Cavity comply with FCC Rules and Regulations
 Part 68, Subpart F

PART NUMBER	GOLD PLATING CONTACT AREA
MJS-288-L0S0-95/3W85CS	3µ"
MJS-288-L0S0-96/3W85CS	6µ"
MJS-288-L0S0-97/3W85CS	15µ"
MJS-288-L0S0-98/3W85CS	30µ"
MJS-288-L0S0-9H/3W85CS	50µ"

Specifications

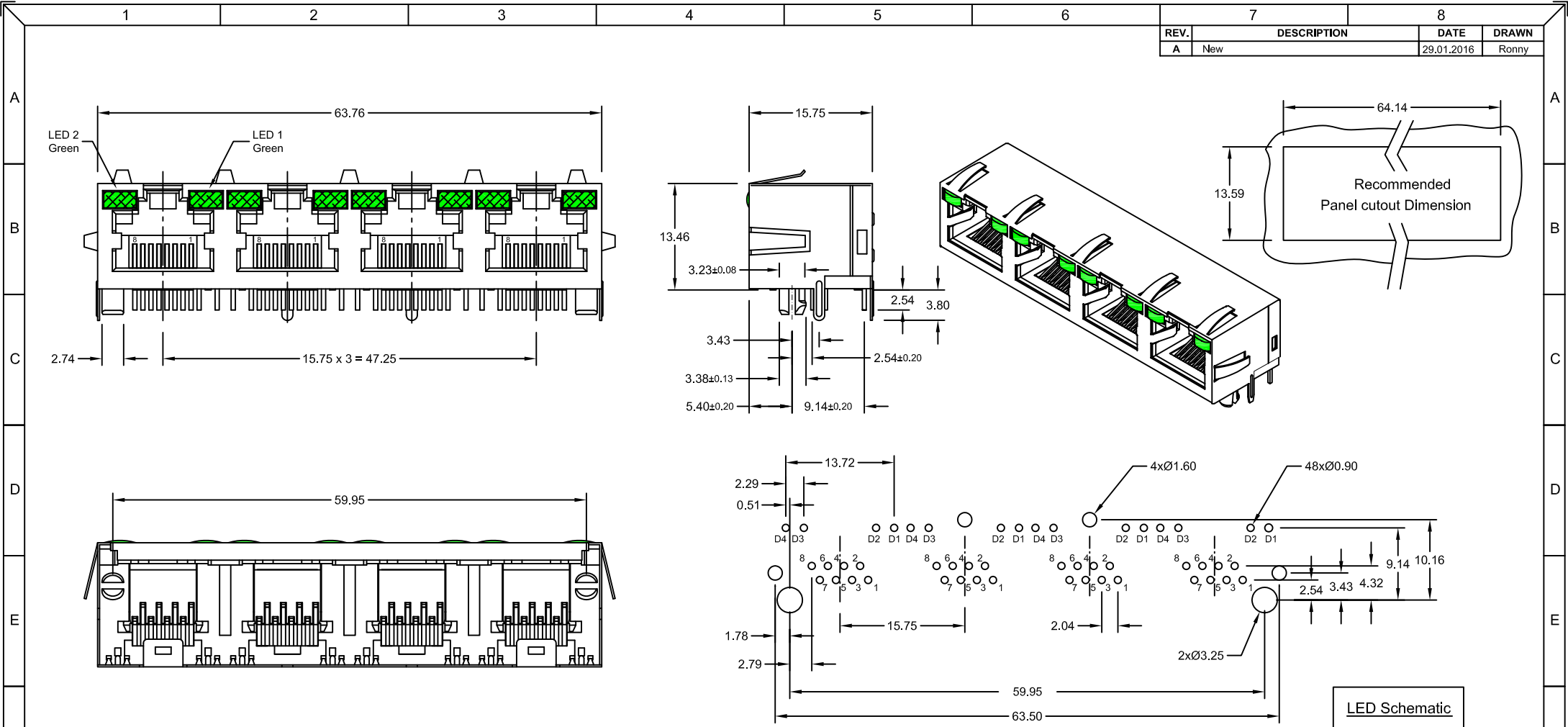
Electrical
 Current rating: 1.5A
 Insulation resistance: 500MΩ min. / 500V DC
 Withstanding voltage: 1000V rms 60Hz / Minute
 Contact resistance: 50mΩ max. / 20mV DC



UNIT mm	GENERAL TOLERANCE		DRAWN Ryan	DATE 27.05.2015	DWG. NO. 2341511	SHEET 1/1	
	SCALE Free	X.° ±				X. ±	REV. A
		.X° ±				.X ±	
		.XX° ±				.XX ± 0.25	
	.XXX° ±	.XXX ±	APPROVE Hogi	DATE 27.05.2015	SERIES NO. MJS-288-L0S0-9x/3W85CS		

Multi Port RJ 45 Jack side entry
"TAB up"
 2x<8P8C> short profile with LED's
 fully shielded without gnd. latch

REV.	DESCRIPTION	DATE	DRAWN
A	New	29.01.2016	Ronny



Specifications

Electrical
 Current rating: 1.5A
 Insulation resistance: 500MΩ min.
 Contact resistance: 50mΩ max.
 Withstanding voltage: 1000V AC / Minute

Operating life: 750 cycles min.

Cavity comply with FCC Rules and Regulations Part 68, Subpart F

Material
 Contact: Phosphor Bronze t=0.35mm
 Plating: Au flash on solder area;
 Au 6μ" on contact area
 Shield: Copper Alloy t=0.25mm
 Plating: Ni
 Insulator: Nylon 46 (black) UL 94V-0

Operating temperature: -40°C to +85°C



PART NUMBER	GOLD PLATING CONTACT AREA
MJS-488-L3S0-56/45CB	6μ"

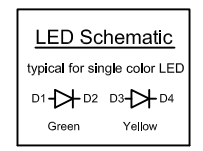
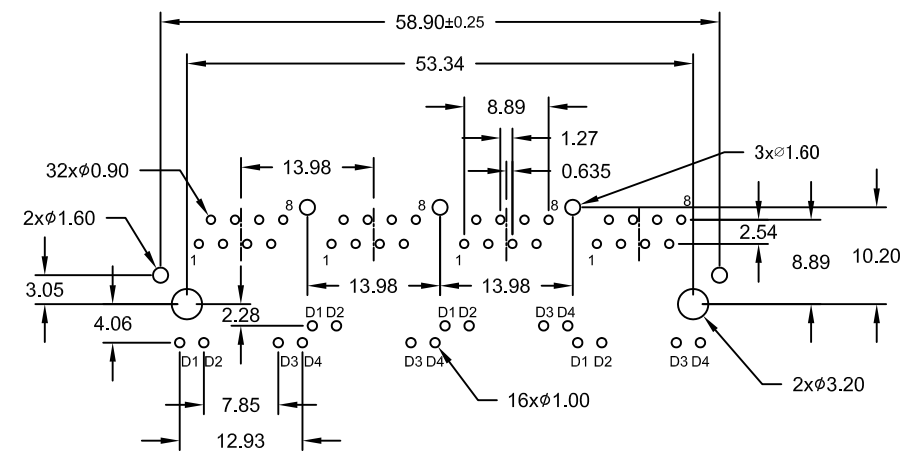
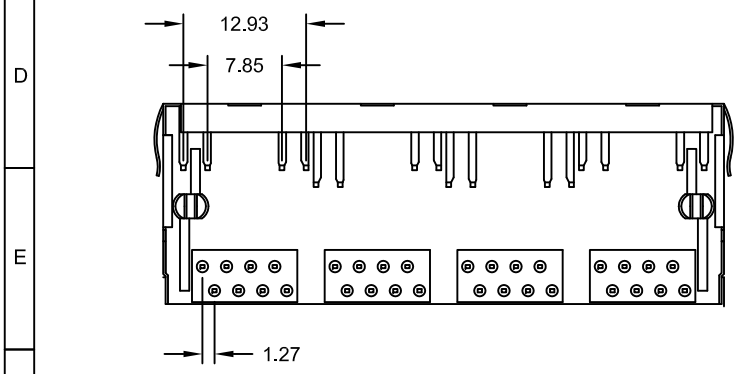
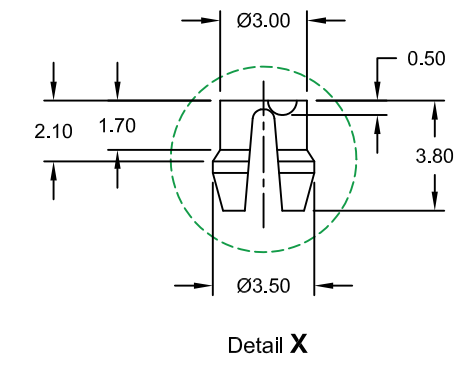
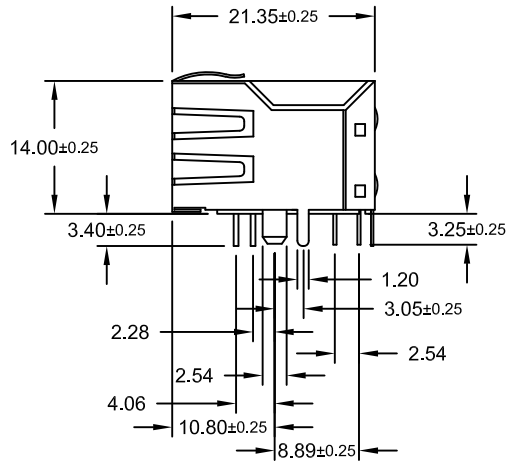
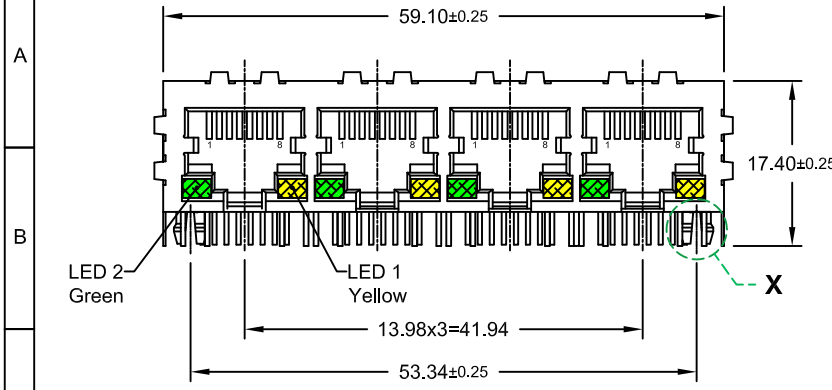
E-tec 2015 © - all rights reserved



UNIT	mm	GENERAL TOLERANCE		DRAWN	DATE	DWG. NO.	SHEET 1/1
SCALE	Free	X.° ±	X. ±	Ronny	29.01.2016	2341512	REV. A
		.X° ±	.X ±	Hogi	29.01.2016	SERIES NO.	
		.XX° ±	.XX ± 0.25	APPROVE	DATE	MJS-488-L3S0-5x/45CB	
		.XXX° ±	.XXX ±	Hogi	29.01.2016		

Multi Port "side by side" RJ 45 PCB JACK
4 x <8P8C> "TAB UP"
 side entry - short profile Type with LED
 fully shielded with gnd. Latches

REV.	DESCRIPTION	DATE	DRAWN
A	NEW	31.03.2016	Cherry



PART NUMBER	GOLD PLATING CONTACT AREA
MJS-488-LL3L1-56/84CA	6µ"
MJS-488-LL3L1-57/84CA	15µ"
MJS-488-LL3L1-58/84CA	30µ"
MJS-488-LL3L1-5H/84CA	50µ"

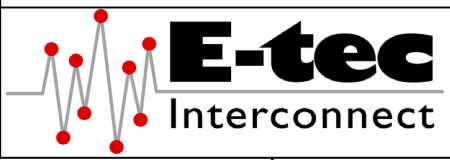
Recommended PCB Layout Top View (Tolerance: ±0.05)

Material
 Contact: Phosphor Bronze t=0.35mm
 Plating: Au on contact area;
 Au on solder area
 Shield: Copper Alloy t=0.25mm
 Plating: Ni
 Insulator: PBT (black) UL 94V-0
 Operating temperature: -40°C to +85°C

Specifications
Electrical
 Current rating: 1.5A
 Insulation resistance: 500MΩ min.
 Withstanding voltage: 1000V AC / Minute
 Contact resistance: 50mΩ max.

Cavity comply with FCC Rules and Regulations Part 68, Subpart F

E-tec 2016 © - all rights reserved



UNIT mm	GENERAL TOLERANCE		DRAWN Cherry	DATE 31.03.2016	DWG. NO. 2341513	SHEET 1/1
	SCALE Free	X° ±	X. ±	CHECK Ronny	DATE 31.03.2016	REV. A
		.XX° ±	.XX ± 0.20	APPROVE Hogi	DATE 31.03.2016	SERIES NO. MJS-488-LL3L1-5x/84CA
		.XXX° ±	.XXX ±			

Multi Port side entry RJ45 PCB JACK
4x <8P/8C> "Tab down"
 Long profile Type with LED
 fully shielded with gnd. Latches