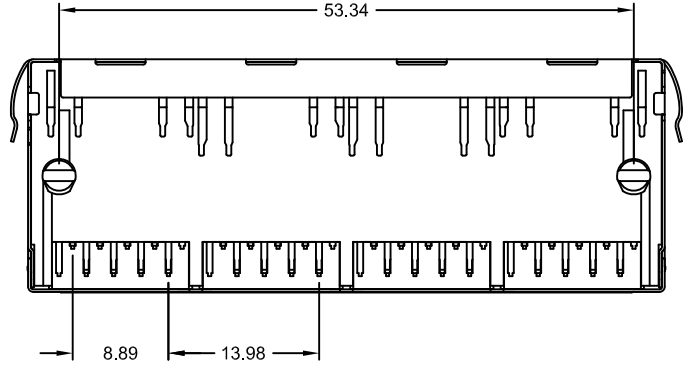
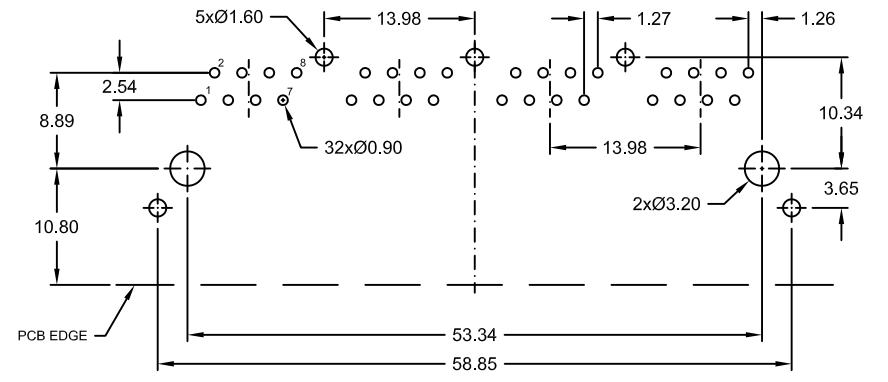
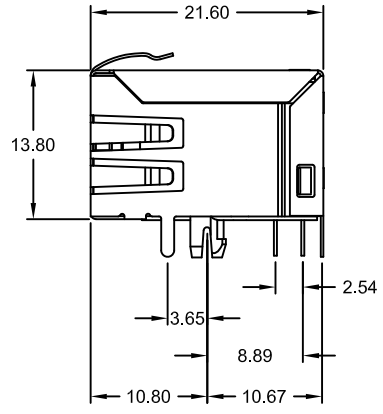
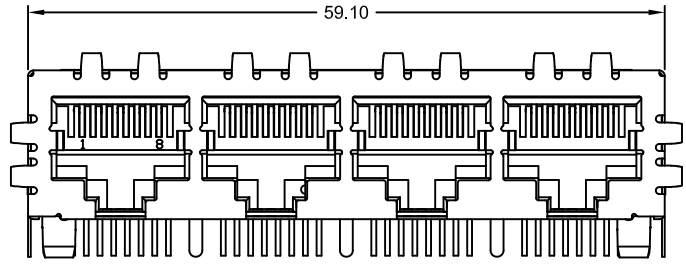


REV.	DESCRIPTION	DRAWN	DATE
A	New	Ronny	26.01.2011
B	New DWG. No.	Ronny	01.02.2012



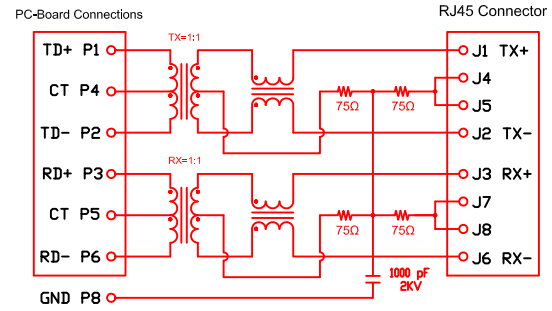
Recommended PCB Hole Layout
Top View



ELECTRICAL CHARACTERISTICS

- Test Notes: (25°C ±5°C)
- TR: (100KHz 0.1V):
Pins: (P1-P2):(J1-J2)=1:1±3%
Pins: (P3-P6):(J3-J6)=1:1±3%
 - LX: (100KHz 100mV 8mA DC Bias)
Pins: (P1-P2):(P3-P6)=350µH min.
 - DCR:
Pins: (J1-J2):(J3-J6)=1.2Ω max.
 - HIPOT:
Pins: (P1,P4,P2)to(J1,J2)=1500V AC for 60 Sec.
Pins: (P3,P5,P6)to(J3,J6)=1500V AC for 60 Sec.
 - INSERTION LOSS:
-1dB max. at 1MHz to 30MHz
 - RETURN LOSS:
-20dB min. at 1MHz to 30MHz
-15dB min. at 30MHz to 60MHz
-10dB min. at 60MHz to 80MHz
 - CROSS TALK:
-30dB min. at 1MHz to 100MHz
 - COMMON TO COMMON MODE REJECTION:
-30dB min. at 1MHz to 100MHz

**Schematic: E Type
(Standard for Ethernet)**



SPECIFICATION

- MATERIAL:
Housing - PBT UL 94V-0 (black)
Contact - 0.35mm PhBz; Au/Sn plated
Shield - Brass; Ni plated
- OPERATING LIFE: 750 Cycles min.
- TEMPERATURE RANGE:
Storage - -40°C to +85°C
Operating - 0°C to 70°C
- Cavity conform to FCC Rules and Registration PAR68, Subparts F

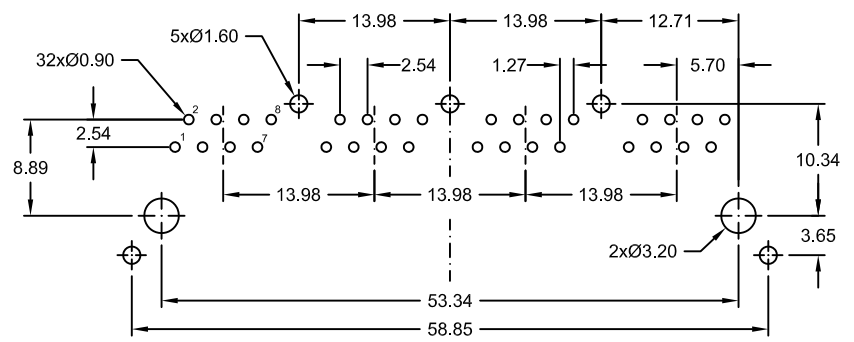
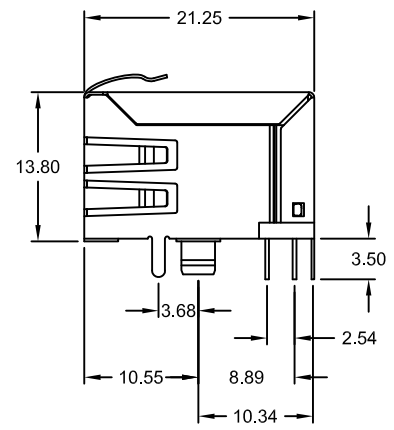
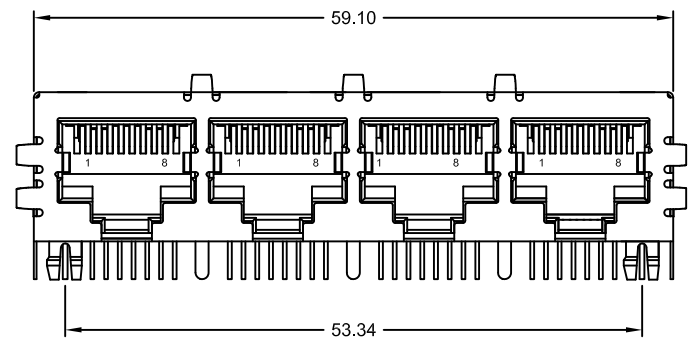
PART NUMBER	GOLD PLATING CONTACT AREA
MJS-488-N0LE0-95/1CA	3µ"
MJS-488-N0LE0-96/1CA	6µ"
MJS-488-N0LE0-97/1CA	15µ"
MJS-488-N0LE0-98/1CA	30µ"
MJS-488-N0LE0-9H/1CA	50µ"



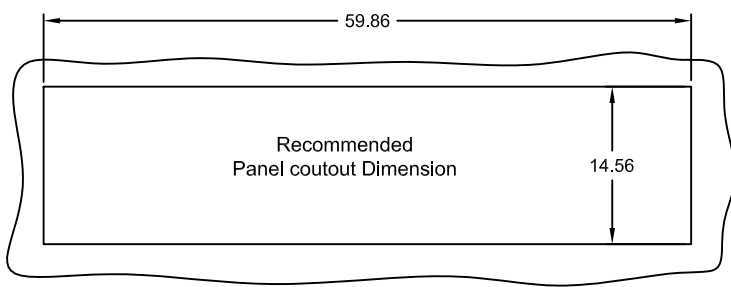
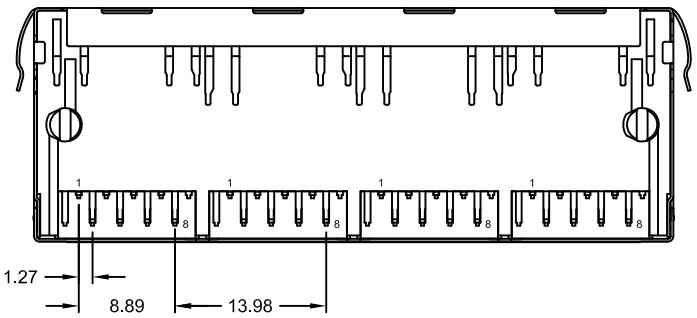
UNIT	GENERAL TOLERANCE	DRAWN	DATE	DWG. NO.	SHEET 1/1
mm	X.° ±	Ronny	26.01.2011	2332500	
SCALE	X. ±	CHECK	DATE	Series NO.	REV. B
Free	.XX ± 0.25	Ronny	26.01.2011	MJS-488-N0LE0-9x/1CA	
	XX. ±	APPROVE	DATE		
	.XXX ± 0.075	HOGI	26.01.2011		

Multi Port "side by side" RJ 45 PCB JACK
4 x <8P8C>
SIDE ENTRY-LONG PROFILE TYPE without LED
FULLY SHIELDED w GRD. LATCHES AROUND
E Type 10/100 Base TX Filtered (Standard for Ethernet)

REV.	DESCRIPTION	DATE	DRAWN
A	NEW	15.01.2014	Ronny

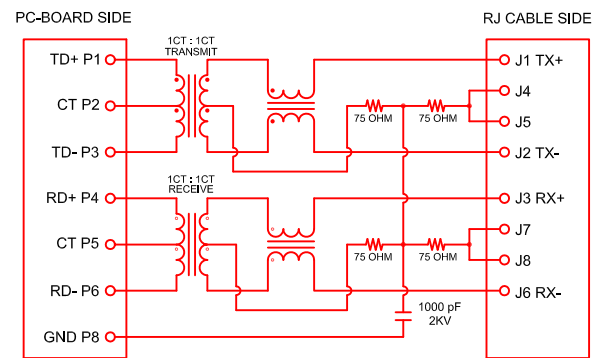


Recommended PCB Hole Layout
Top View
(Tolerance: ±0.08)



- ELECTRICAL CHARACTERISTICS**
Test Notes: (25°C ±5°C)
- TR: (100KHz 0.1V):
Pins: (P1-P3):(J1-J2)=1:1±3%
Pins: (P4-P6):(J3-J6)=1:1±3%
 - LX: (100KHz 100mV, 8mA, DC Bias)
Pins:(P1-P3),(P4-P6)=350µH min.
 - DCR:
Pins: (J1-J2),(J3-J6)=1.2Ω max.
 - HIPOT:
Pins: (P1,P3) to (J1,J2)= 1500V AC for 60 Sec.
or 2250V DC 60 Sec.
Pins: (P4,P6) to (J3-J6)= 1500V AC for 60 Sec.
or 2250V DC 60 Sec.

Schematic: "2" Type



- SPECIFICATION**
- MATERIAL:**
Housing - PBT UL 94V-0 (black)
Contact - 0.35mm PhBz; Au/Sn plated
Shield - 0.25mm Copper Alloy; Ni plated
 - OPERATING LIFE:** 750 Cycles min.
 - TEMPERATURE RANGE:**
Storage - -40°C to +85°C
Operating - 0°C to 70°C
 - Cavity conform to FCC Rules and Registration PAR68, Subparts F

PART NUMBER	GOLD PLATING CONTACT AREA
MJS-488-NCL2-95/1CA	3µ"
MJS-488-NCL2-96/1CA	6µ"
MJS-488-NCL2-97/1CA	15µ"
MJS-488-NCL2-98/1CA	30µ"
MJS-488-NCL2-9H/1CA	50µ"



UNIT	GENERAL TOLERANCE	DRAWN	DATE	DWG. NO.	SHEET 1/1
mm	X.° ± X. ±	Ronny	15.01.2014	2332502	
SCALE	.X° ± .X ± 0.30	CHECK	DATE	SERIES NO.	REV. A
Free	.XX° ± .XX ± 0.25	Hogi	15.01.2014	MJS-488-NCL2-9x/1CA	
	.XXX° ± .XXX ±	APPROVE	DATE		
		Hogi	15.01.2014		

Multi Port "side by side" RJ 45 PCB JACK
4 x <8P8C>
SIDE ENTRY-LONG PROFILE TYPE without LED
FULLY SHIELDED w GRD. LATCHES AROUND
"2" Type 10/100 Base TX Filtered