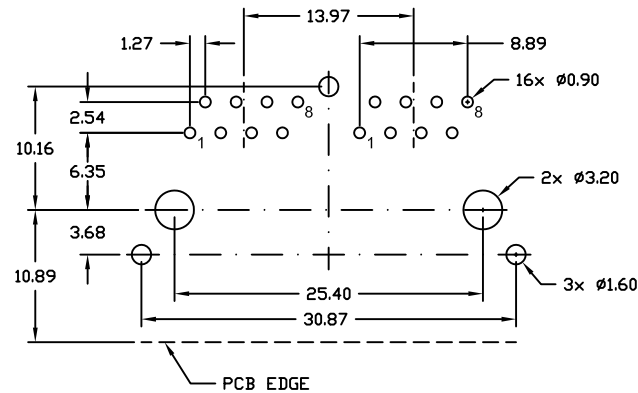
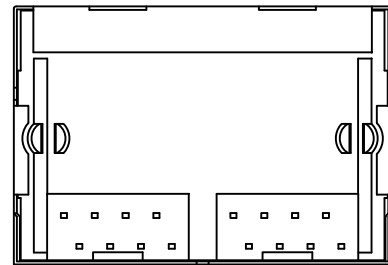
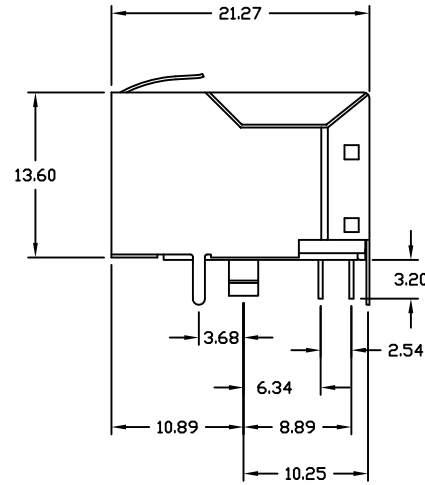
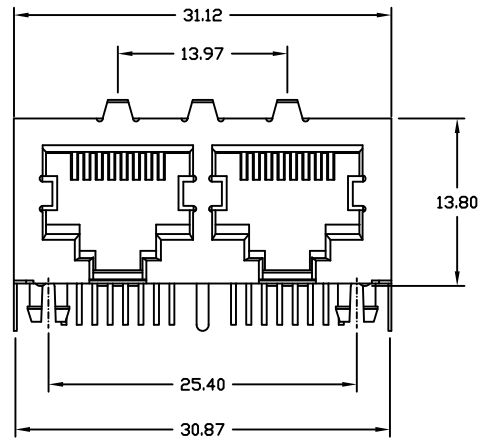


REV.	LOCAS.	DESCRIPTION	DATE	DRAWN
A		NEW	23.12.1992	Jerry
B		New DWG. No.	01.02.2012	Ronny



Recommended PCB Layout
Top View

Specifications

- Current rating: 1.5A
- Insulation resistance: 500MΩ min.
- Withstanding voltage: 1000V AC 1 Minute
- Contact resistance: 50mΩ max.
- Operating temperature: -40°C to +85°C

Materials

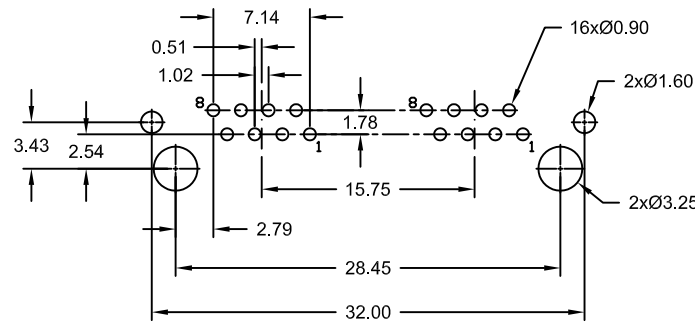
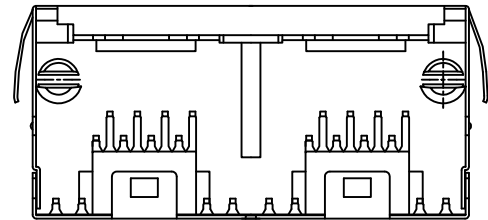
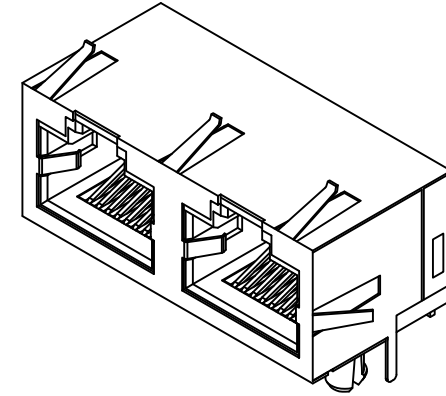
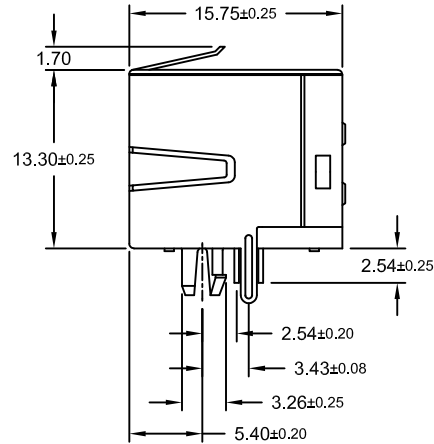
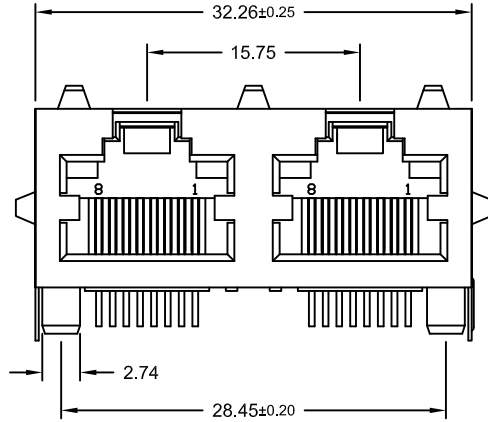
- Contact: PhBz; t=0.35mm
- Plating: Sn over Ni on solder area
Au over Ni on mating area
- Insulator: Thermoplastic UL 94V-0
- Shield: Brass; Nickel plated

PART NUMBER	GOLD PLATING CONTACT AREA
MJS-288-S1L0-95/1CT	3μ"
MJS-288-S1L0-96/1CT	6μ"
MJS-288-S1L0-97/1CT	15μ"
MJS-288-S1L0-98/1CT	30μ"
MJS-288-S1L0-9H/1CT	50μ"

	UNIT	mm	GENERAL TOLERANCE		DRAWN	Jerry	DATE	23.12.1992	DWG. NO.	2331500	SHEET 1/1
	SCALE	Free	X.° ±	X ± 0.50	CHECK	Ronny	DATE	01.02.2012	SERIES NO.	MJS-288-S1L0-9x/1CT	REV. B
			.X° ±	.X ± 0.38	APPROVE	Hogi	DATE	01.02.2012			
			.XX° ±	.XX ± 0.25							
		ANG ± 3°	.XXX ± 0.10								

2-Port PCB Jack RJ45 <8P/8C>
THT side entry - long profile type
fully shielded
with top grd. latch

REV.	DESCRIPTION	DATE	DRAWN
A	NEW	09.01.2006	HUANG
B	New DWG. No.	01.02.2012	Ronny
C	Plating Sn/Au → Au flash/Au	15.08.2014	Ronny
D	PBT → Nylon 46	11.09.2015	Ryan



Recommended PCB Layout

Specifications

Electrical

Current rating: 1A max.
 Insulation resistance: 500MΩ min.
 Voltage rating: 150V AC max.
 Withstanding voltage: 1000V RMS 60Hz/Minute
 Contact resistance: 40mΩ max.

Material

Contact: Phosphor Bronze t=0.35mm
 Plating: Au over Ni
 Shield: Copper Alloy t=0.25mm
 Plating: Ni
 Insulator: Nylon 46 (black) UL 94V-0

Operating temperature: -40°C to +85°C

Cavity conforms to FCC Rules and
 Registration PAR 68, Subpart F

PART NUMBER	GOLD PLATING CONTACT AREA
MJS-288-S3S0-56/3CA	6μ"
MJS-288-S3S0-57/3CA	15μ"
MJS-288-S3S0-58/3CA	30μ"
MJS-288-S3S0-5H/3CA	50μ"

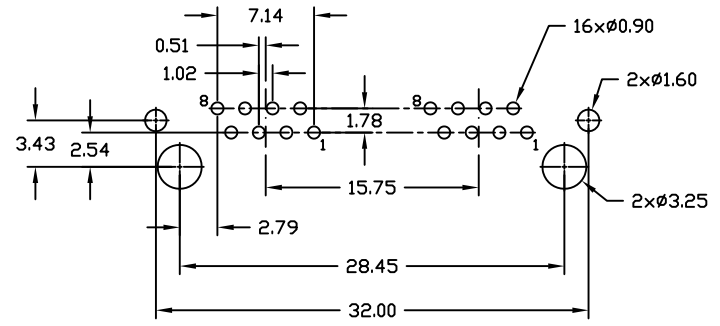
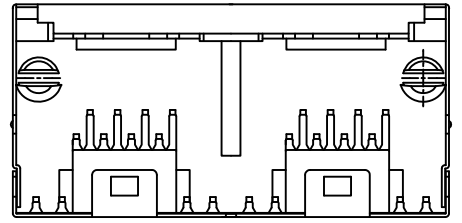
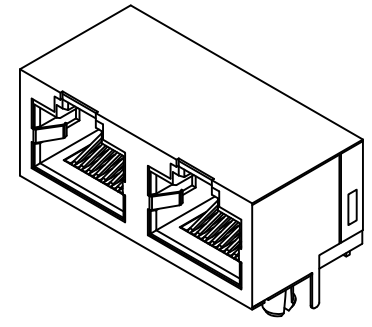
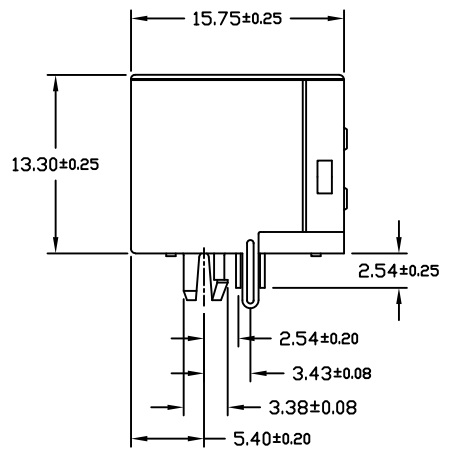
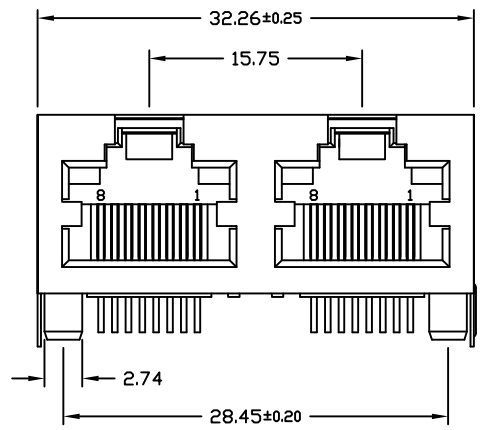
E-tec 2015 © - all rights reserved



UNIT	GENERAL TOLERANCE		DRAWN	DATE	DWG. NO.	SHEET 1/1
mm	X.° ±	X. ±	HUANG	09.01.2006	2331501	REV. D
SCALE	.X° ±	.X ± 0.25	RONNY	11.09.2015		
Free	.XX° ±	.XX ± 0.13	APPROVE	DATE	MJS-288-S3S0-xx/3CA	
	.XXX° ±	.XXX ± 0.05	HOGI	11.09.2015		

Multi Port RJ 45 Jack side entry
 2 x <8P/8C> short profile Type
 "TAB UP" - fully shielded
 with grd. latches around

REV.	LOCAS.	DESCRIPTION	DATE	DRAWN
A		NEW	11.04.2012	Ryan Chou



Recommended PCB Layout
(Top View)

SPECIFICATION

1. ELECTRICAL

- Insulation Resistance - 500MΩ min.
- Contact Resistance - 50mΩ max.
- Withstanding Voltage - 1000V AC 1 Minute
- Current Rating - 1.5A

2. MATERIAL:

- Housing - DSM Stanyl TE250F6 (NYLON-46)
UL 94V-0 (black)
- Contact - PhBz t=0.35; Au flash plated
- Shield - Brass t=0.25; Ni plated

- 3. Operating life: 750 Cycles min.
- 4. Temperature range: -40°C to +85°C
- 5. Cavity conform to FCC Rules and Registration PAR68, Subparts F



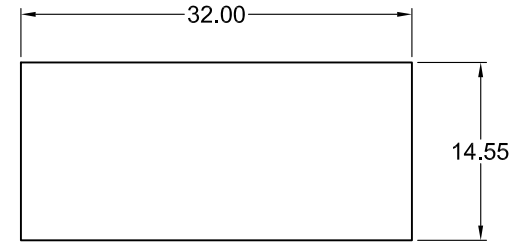
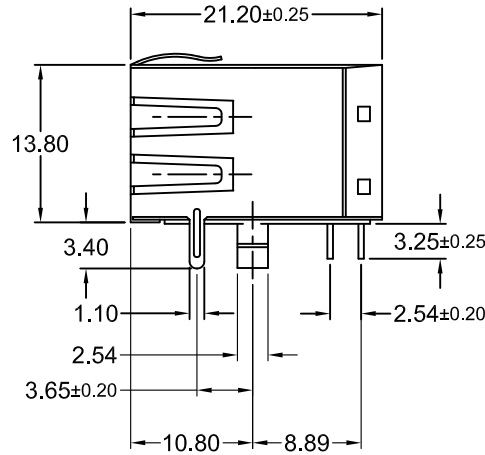
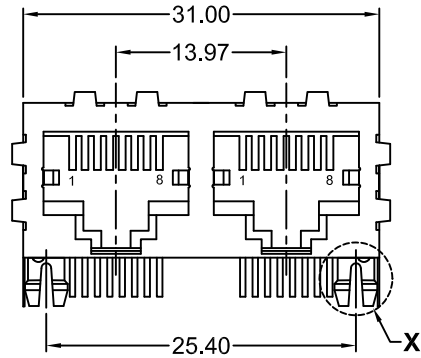
PART NUMBER	GOLD PLATING CONTACT AREA
MJS-288-S3S0-56/3CS	6μ"
MJS-288-S3S0-57/3CS	15μ"
MJS-288-S3S0-58/3CS	30μ"
MJS-288-S3S0-5H/3CS	50μ"



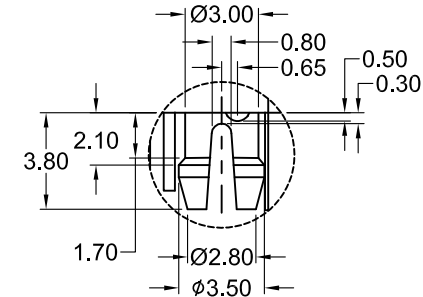
UNIT	SCALE	GENERAL TOLERANCE	DRAWN	DATE	DWG. NO.	SHEET 1/1
mm	Free	X.° ± X. ±	Ryan Chou	11.04.2012	2331504	REV. A
		.X° ± .X ± 0.25	CHECK	11.04.2012	SERIES NO.	
		.XX° ± .XX ± 0.13	APPROVE	11.04.2012	MJS-288-S3S0-xx/3CS	
		.XXX° ± .XXX ± 0.05	Hogi			

Multi Port "side by side" RJ 45 PCB JACK
2 x <8P8C> "TAB UP"
 side entry-short profile Type
 fully shielded **without** Grd. Latches

REV.	DESCRIPTION	DATE	DRAWN
A	NEW	09.07.2013	Ryan Chou



RECOMMENDED PANEL CUTOUT



Detail X



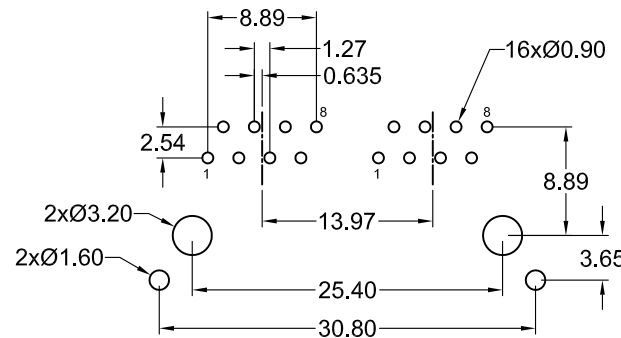
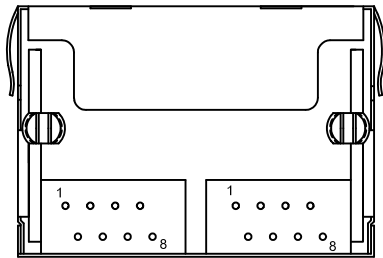
Specifications

- Current rating: 1.5A
- Insulation resistance: 500MΩ min.
- Withstanding voltage: 1000V rms 60Hz / Minute
- Contact resistance: 50mΩ max.
- Operating temperature: -40°C to +85°C

Materials

- Contact: Copper Alloy (t=0.35mm)
- Plating: Au in solder area; Au in contact area
- Insulator: Nylon 46 UL 94V-0 (Black)

Cavity confirms to FCC Rules and Registration PAR68, Subparts F



Recommended PCB Hole Layout (Top View)

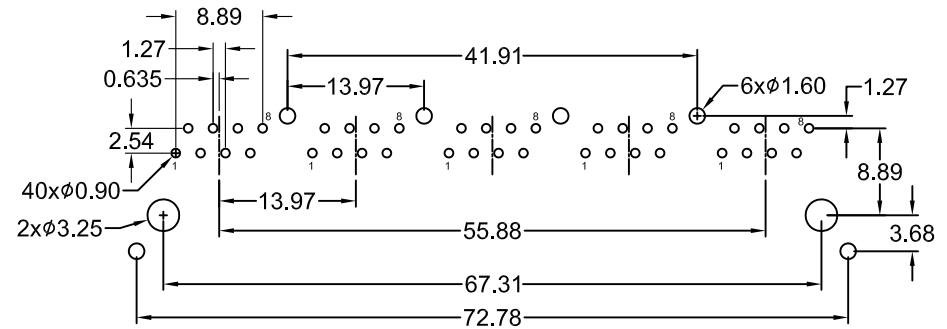
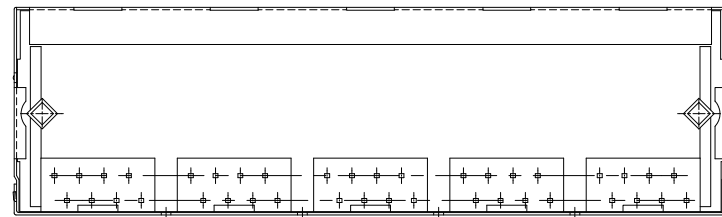
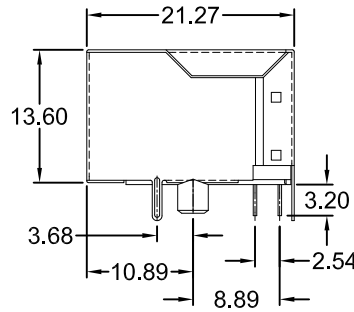
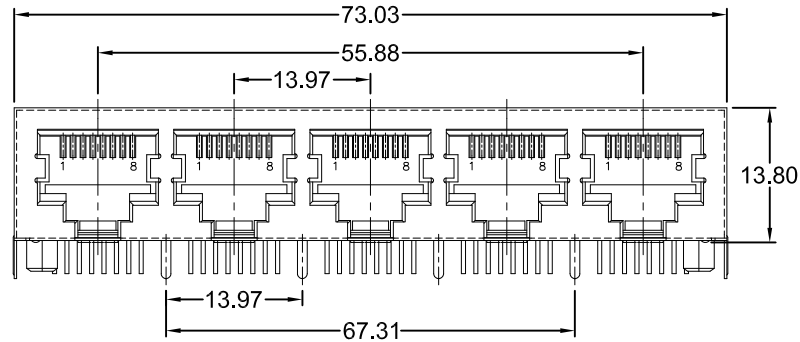
PART NUMBER	GOLD PLATING CONTACT AREA
MJS-288-D3L0-55/6CA	3μ"
MJS-288-D3L0-56/6CA	6μ"
MJS-288-D3L0-57/6CA	15μ"
MJS-288-D3L0-58/6CA	30μ"
MJS-288-D3L0-5H/6CA	50μ"

UNIT	GENERAL TOLERANCE		DRAWN Ryan Chou	DATE 09.07.2013	DWG. NO. 2331505	SHEET 1/1
	mm	X.° ±				
SCALE	Free	X. ±	.X ± 0.25	CHECK Ronny	DATE 09.07.2013	REV. A
		XX. ±	.XX ± 0.15	APPROVE Hogi	DATE 09.07.2013	
		XXX. ±	.XXX ± 0.075			
					Series NO. MJS-288-D3L0-xx/6CA	

Multi Port "side by side" RJ 45 PCB JACK
2 x <8P8C> "TAB DOWN"
 side entry - long profile Type
 fully shielded with Grd. Latches around



REV.	DESCRIPTION	DATE	DRAWN
A	NEW	30.07.2013	Ryan Chou



Recommended PCB Hole Layout
(Top View)

PART NUMBER	GOLD PLATING CONTACT AREA
MJS-588-D1L0-55/1CS	3μ"
MJS-588-D1L0-56/1CS	6μ"
MJS-588-D1L0-57/1CS	15μ"
MJS-588-D1L0-58/1CS	30μ"
MJS-588-D1L0-5H/1CS	50μ"



Materials

Contact: Copper Alloy (t=0.35mm)
 Plating: Au in solder area; Au in contact area
 Insulator: Nylon 46 UL 94V-0 (Black)
 Cavity confirms to FCC Rules and Registration PAR68,
 Subparts F

Specifications

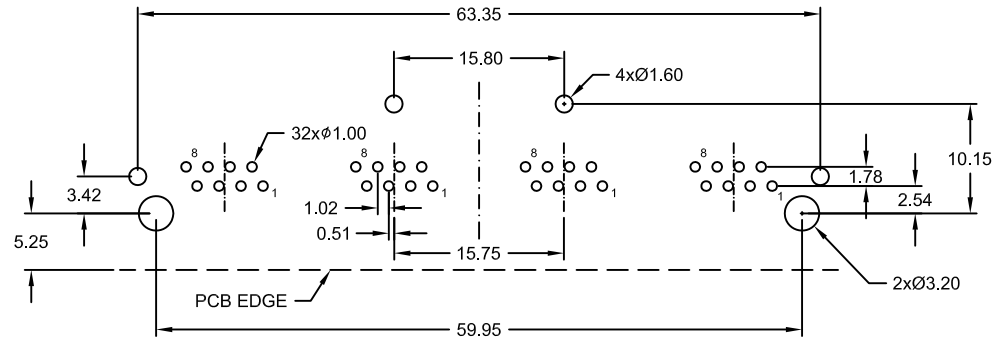
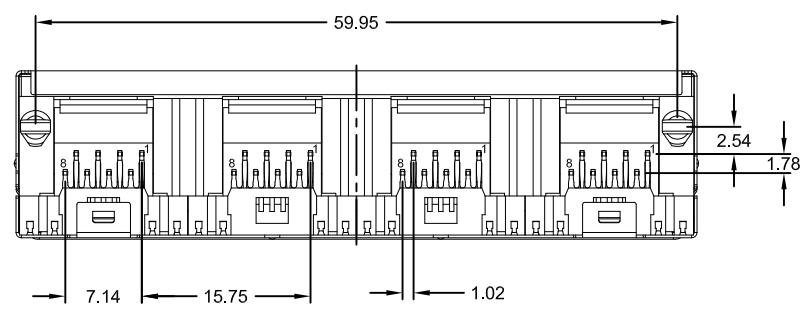
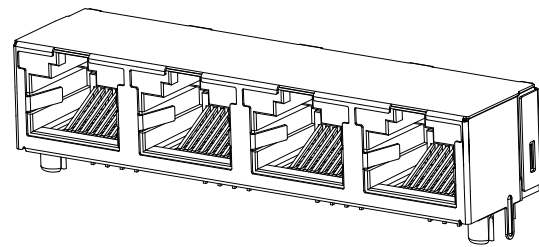
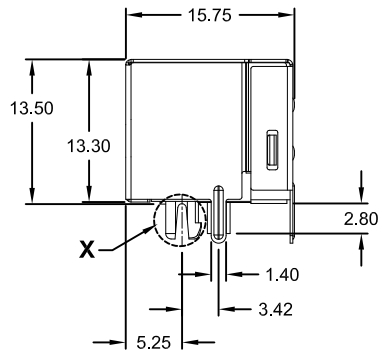
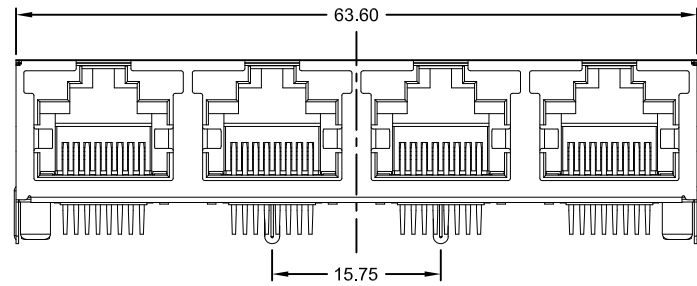
Current rating: 1.5A
 Insulation resistance: 500MΩ min.
 Withstanding voltage: 1000V rms 60Hz / Minute
 Contact resistance: 50mΩ max.
 Operating temperature: -40°C to +85°C



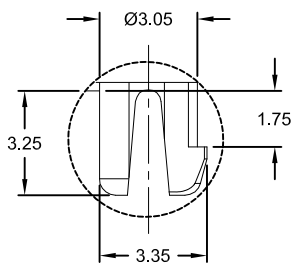
UNIT	SCALE	GENERAL TOLERANCE	DRAWN	DATE	DWG. NO.	SHEET 1/1
mm	Free	X.° ± .X° ±	Ryan Chou	30.07.2013	2331506	REV. A
		X. ± .X ± 0.25	RONNY	30.07.2013	Series NO.	
		XX. ± .XX ± 0.15	HOGI	30.07.2013	MJS-588-D1L0-xx/1CS	
		XXX. ± .XXX ± 0.075				

Multi Port "side by side" RJ 45 PCB JACK
5 x <8P8C> "TAB DOWN"
 side entry - long profile Type
 fully shielded

REV.	DESCRIPTION	DATE	DRAWN
A	New	14.11.2013	Ryan



Recommended PCB Layout
Top View
(Tolerance: ±0.05)



DETAIL X

PART NUMBER	GOLD PLATING CONTACT AREA
MJS-488-S0S0-95/4CS	3µ"
MJS-488-S0S0-96/4CS	6µ"
MJS-488-S0S0-97/4CS	15µ"
MJS-488-S0S0-98/4CS	30µ"
MJS-488-S0S0-9H/4CS	50µ"

SPECIFICATION

- ELECTRICAL**
Insulation Resistance: 500MΩ min.
Contact Resistance: 50mΩ max.
Withstanding Voltage: 1000V AC 1 Minute
Current Rating: 1.5A
- MATERIAL:**
Housing: PBT UL 94V-0 (black)
Contact: 0.35mm PhBz; Sn/Au plated
Shield: Brass; Ni plated



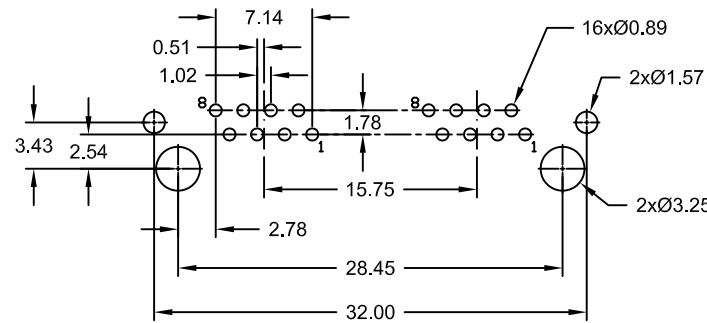
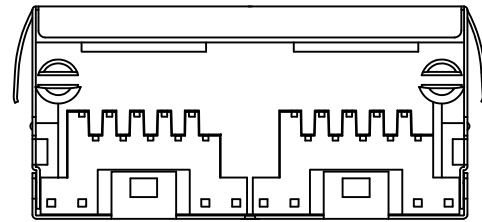
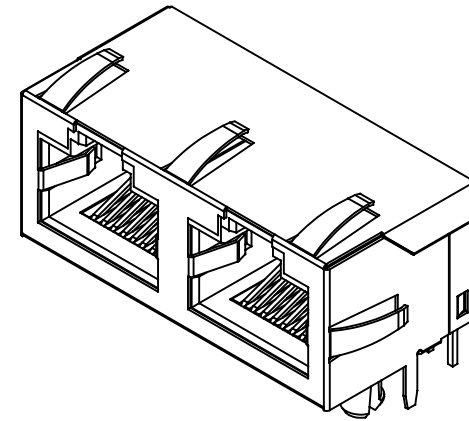
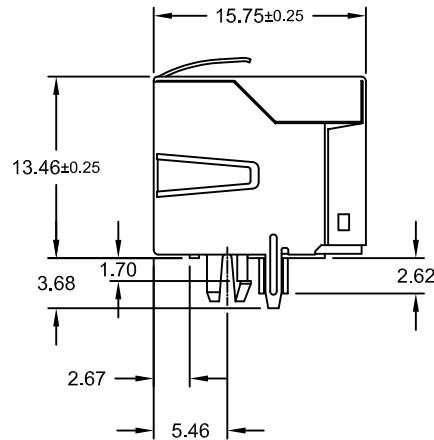
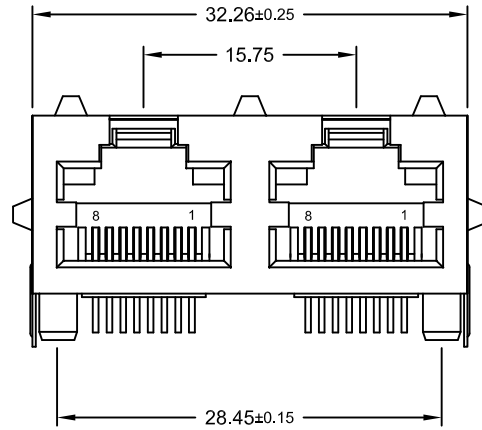
- Operating life: 750 Cycles min.
- Temperature range: -40°C to +85°C
- Cavity conform to FCC Rules and Registration PAR68, Subparts F



UNIT	mm	GENERAL TOLERANCE		DRAWN	DATE	DWG. NO.	SHEET 1/1
SCALE	Free	X.° ±	.X° ±	Ryan	14.11.2013	2331507	
		X. ±	X.X ± 0.35	CHECK	DATE	Series NO.	REV. A
		XX. ±	.XX ± 0.25	Ronny	14.11.2013	MJS-488-S0S0-9x/4CS	
		XXX. ±	.XXX ± 0.15	APPROVE	DATE		
				Hogi	14.11.2013		

Multi Port "side by side" RJ 45 PCB JACK
4 x <8P8C> "TAB UP"
SIDE ENTRY-SHORT PROFILE TYPE without LED
FULLY SHIELDED without GRD. LATCHES

REV.	DESCRIPTION	DATE	DRAWN
A	NEW	14,08,2014	Ronny



Recommended PCB Layout



Specifications Electrical

Current rating: 1A max.
 Insulation resistance: 500MΩ min. @ 500V DC
 Voltage rating: 125V AC RMS
 Withstanding voltage: 1000V AC / Minute
 Contact resistance: 100mΩ max.

Material

Contact: Phosphor Bronze t=0.35mm
 Plating: Sn/Au over Ni
 Shield: Brass t=0.25mm
 Plating: Ni
 Insulator: PBT (black) UL 94V-0

Operating temperature: -20°C to +75°C

Cavity conforms to FCC Rules and
 Registration PAR 68, Subpart F

PART NUMBER	GOLD PLATING CONTACT AREA
MJS-288-S1S0-96/3CA	6μ"
MJS-288-S1S0-97/3CA	15μ"
MJS-288-S1S0-58/3CA	30μ"
MJS-288-S1S0-9H/3CA	50μ"



UNIT	SCALE	GENERAL TOLERANCE	DRAWN	DATE	DWG. NO.	SHEET 1/1
mm	Free	X.° ±	Ronny	14.08.2014	2331508	REV. A
		.X° ±	Andres	14.08.2014	SERIES NO.	
		.XX° ±	Hogi	14.08.2014	MJS-288-S1S0-xx/3CA	
		.XXX° ±				

Multi Port RJ 45 Jack side entry
 2 x <8P/8C> short profile Type
 fully shielded
 with grd. latches around