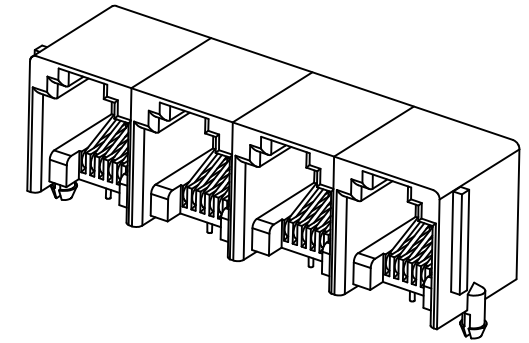
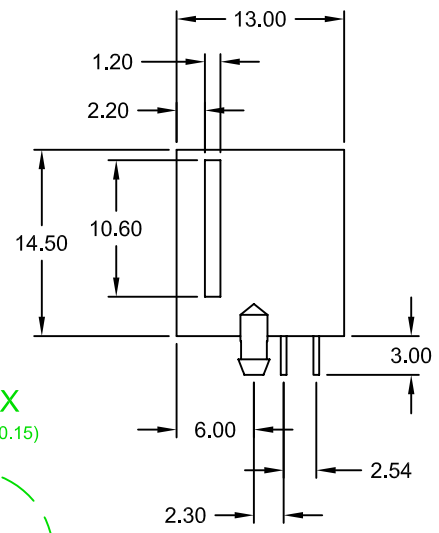
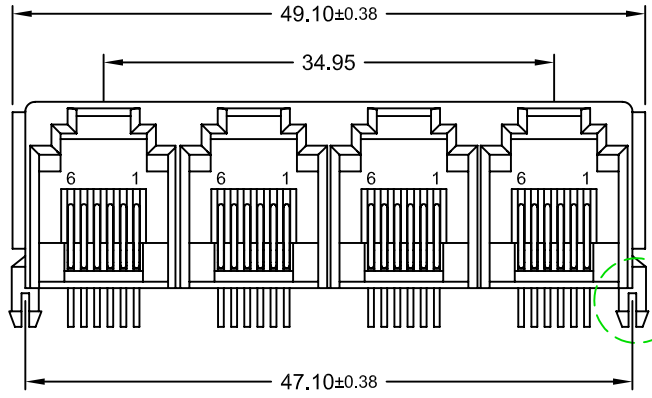
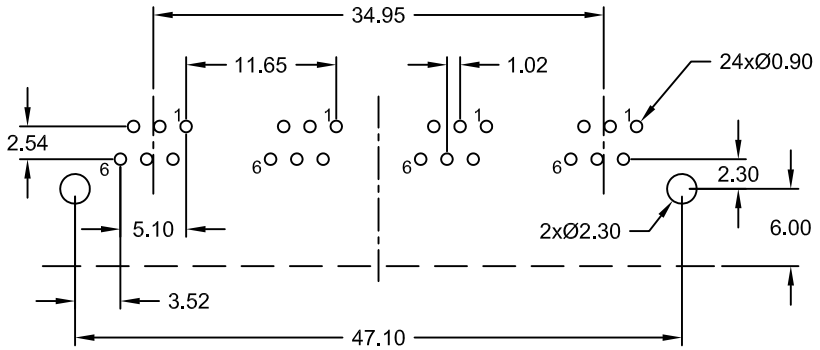
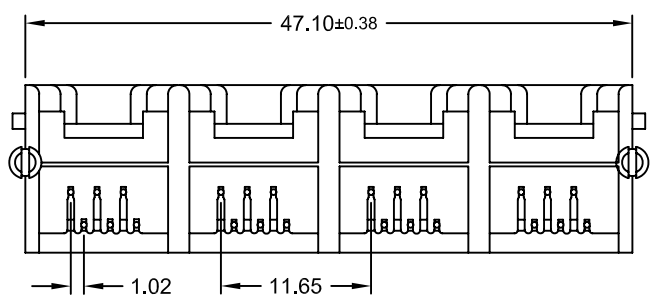
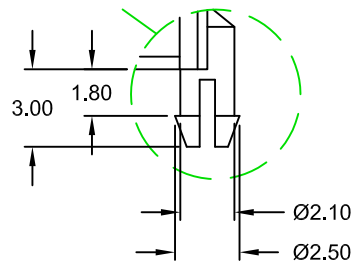


REV.	DESCRIPTION	DATE	DRAWN
A	NEW	17.02.2012	Ronny
B	P/N -x66- -> -466-	18.11.2015	Chery



Detail X  
(Tolerance ±0.15)



Recommended PCB Layout Top View  
(Tolerance ±0.05)

### Specifications

#### Electrical

Current rating: 1.5A  
 Insulation resistance: 500MΩ min.  
 Withstanding voltage: 1000V AC / Minute  
 Contact resistance: 30mΩ max.

#### Material

Contact: Copper Alloy Ø0.45mm  
 Plating: Au on solder area;  
 Au on contact area  
 Insulator: PBT (Black) UL 94V-0

Operating temperature: -40°C to +85°C

Cavity comply with FCC Rules and Regulations Part 68, Subpart F

PART NUMBER	GOLD PLATING CONTACT AREA
MJS-466-S0S30-55	flash
MJS-466-S0S30-66	6μ"
MJS-466-S0S30-77	15μ"
MJS-466-S0S30-88	30μ"
MJS-466-S0S30-HH	50μ"

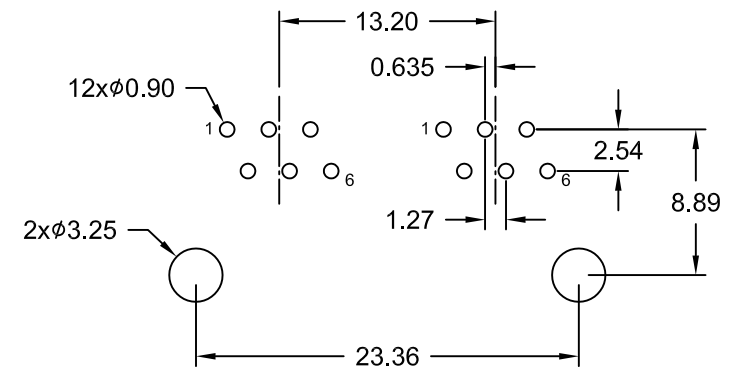
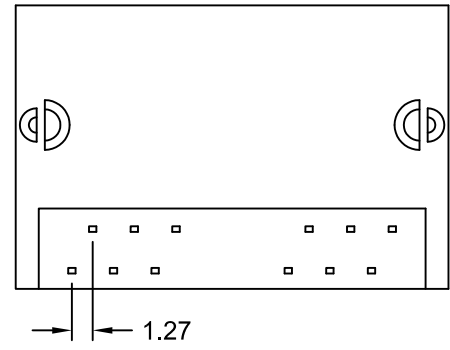
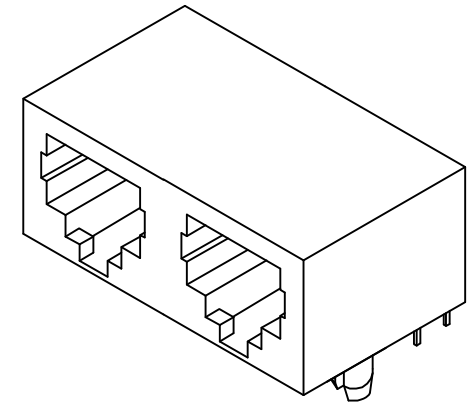
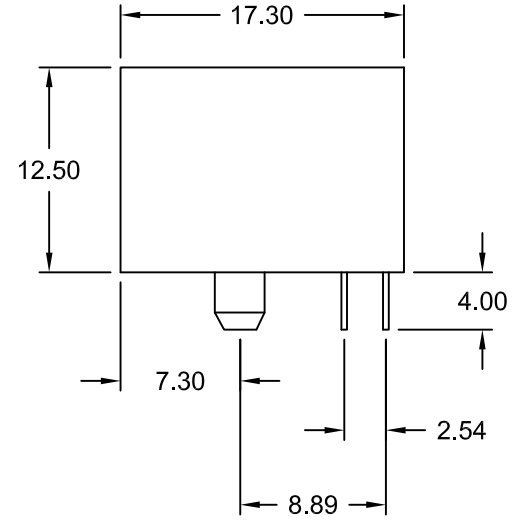
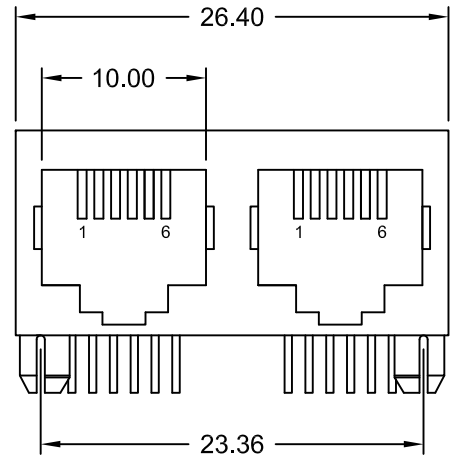
E-tec 2015 © - all rights reserved



UNIT	mm	GENERAL TOLERANCE		DRAWN	Ronny	DATE	17.02.2012	DWG. NO.	2311300	SHEET 1/1
	SCALE	Free	X° ±		X. ±		CHECK		Ronny	
			.XX° ±	.XX ± 0.25	APPROVE	Hogi	DATE	18.11.2015	SERIES NO.	MJS-46x-S0S30-xx
			.XXX° ±	.XXX ±						

**Multi Port "side by side" PCB Jack**  
 RJ12 4x <6P6C> **"Tab up"**  
 side entry - short profile Type  
 NON shielded, **with panel stop**

REV.	DESCRIPTION	DATE	DRAWN
A	NEW	13.02.2015	Ryan



Recommended PCB Layout Top View  
(Tolerance ±0.05)

### Specifications

#### Electrical

- Current rating: 1.5A
- Insulation resistance: 500MΩ min. / 500V DC
- Withstanding voltage: 1000V AC rms. 60 / Minuten
- Contact resistance: 40mΩ max. / 20mV DC

#### Material

- Contact: Phosphor Bronze t=0.35mm
- Plating: Sn on solder area;  
Au flash on contact area
- Insulator: PBT (black) UL 94V-0

Operating temperature: -40°C to +105°C

Cavity comply with FCC Rules and Regulations Part 68, Subpart F

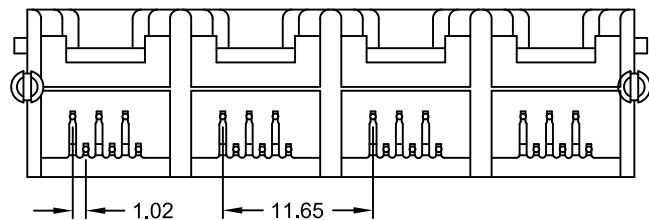
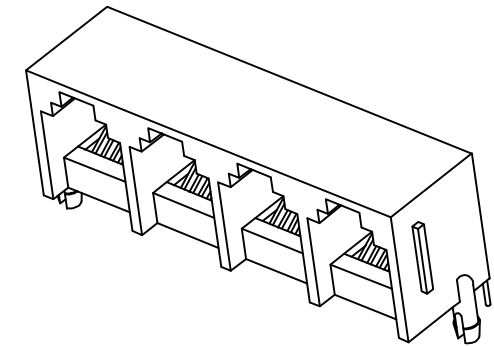
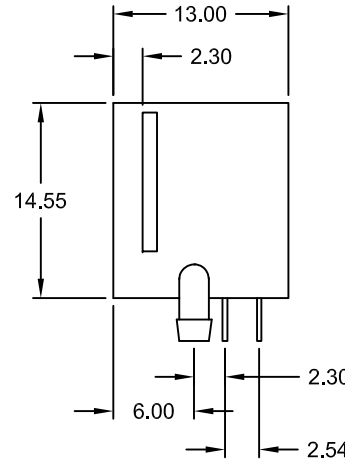
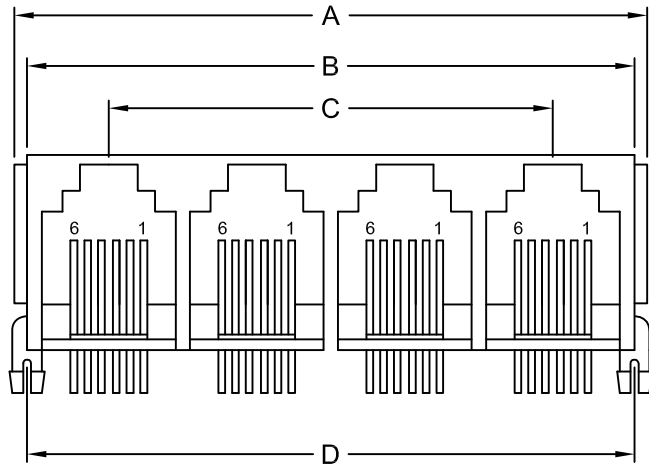
PART NUMBER	GOLD PLATING CONTACT AREA
MJS-266-D4S0-96	6μ"
MJS-266-D4S0-97	15μ"
MJS-266-D4S0-98	30μ"
MJS-266-D4S0-9H	50μ"



UNIT	mm	GENERAL TOLERANCE		DRAWN	Ryan	DATE	13.02.2015	DWG. NO.	2311303	SHEET 1/1
	SCALE	Free	X.° ±		X. ±		CHECK		Ronny	
			.XX° ±	.XX ± 0.15	APPROVE	Hogi	DATE	16.02.2015	SERIES NO.	MJS-266-D4S0-9x
			.XXX° ±	.XXX ±						

**Multi Port "side by side" RJ 12 PCB JACK**  
**2 x <6P6C> "Tab Down"**  
 side entry - short profile Type  
 NON SHIELDED

REV.	DESCRIPTION	DATE	DRAWN
A	New	27.11.2015	Cherry



Dimension mm	No. of Ports		
	4	6	8
A	49,10	72,40	95,70
B	47,15	70,45	93,75
C	34,95	58,25	81,55
D	47,10	70,40	93,70



## Specifications

### Electrical

Current rating: 1.5A  
 Insulation resistance: 500MΩ min.  
 Withstanding voltage: 1000V AC / Minute  
 Contact resistance: 30mΩ max.

### Material

Contact: Phosphor Bronze Ø0.45mm  
 Plating: Au on solder area;  
 Au on contact area  
 Insulator: PBT (Black) UL 94V-0

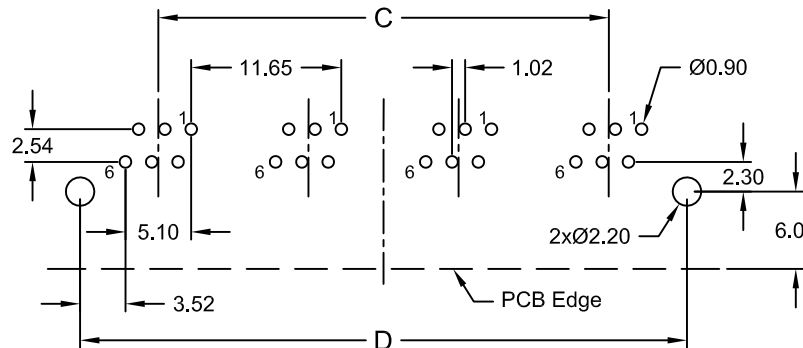
Operating temperature: -40°C to +85°C

Cavity comply with FCC Rules and Regulations Part 68, Subpart F

replace "x" with Number of Ports

4, 6, or 8

PART NUMBER	GOLD PLATING CONTACT AREA
MJS-x66-S4S30-55	flash
MJS-x66-S4S30-66	6μ"
MJS-x66-S4S30-77	15μ"
MJS-x66-S4S30-88	30μ"
MJS-x66-S4S30-HH	50μ"



Recommended PCB Layout Top View  
(Tolerance ±0.05)

E-tec 2015 © - all rights reserved



UNIT	GENERAL TOLERANCE		DRAWN	DATE	DWG. NO.	SHEET 1/1
mm	X.° ±	X. ±	Cherry	27.11.2015	2311304	REV. A
SCALE	.X° ±	.X ±	CHECK	30.11.2015	SERIES NO.	
Free	.XX° ±	.XX ± 0.15	APPROVE	30.11.2015	MJS-x66-S4S30-xx	
	.XXX° ±	.XXX ±	Hogi			

**Multi Port "side by side" PCB Jack**  
 RJ12 4, 6, or 8x <6P6C> **"Tab up"**  
 side entry - short profile Type  
 NON shielded, **with panel stop**