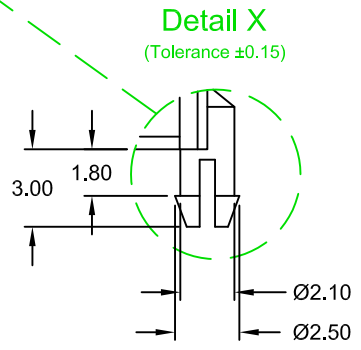
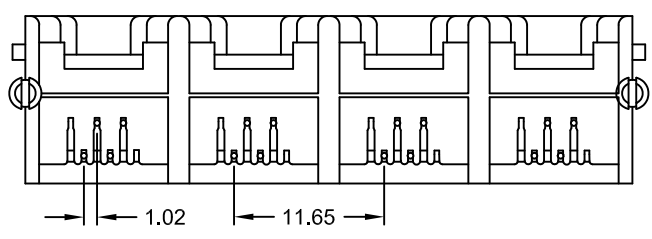
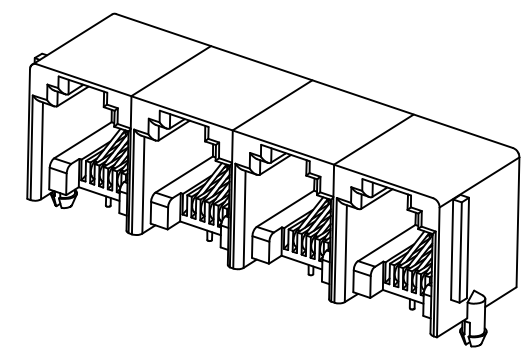
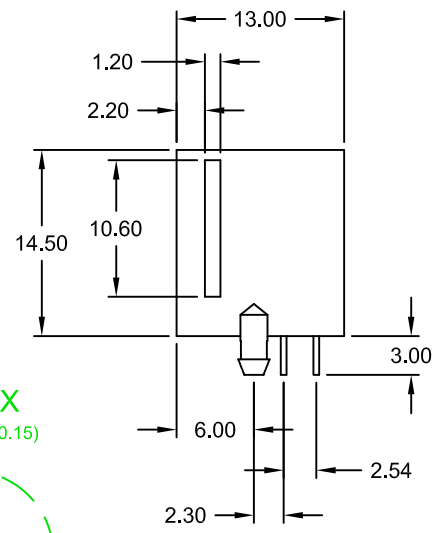
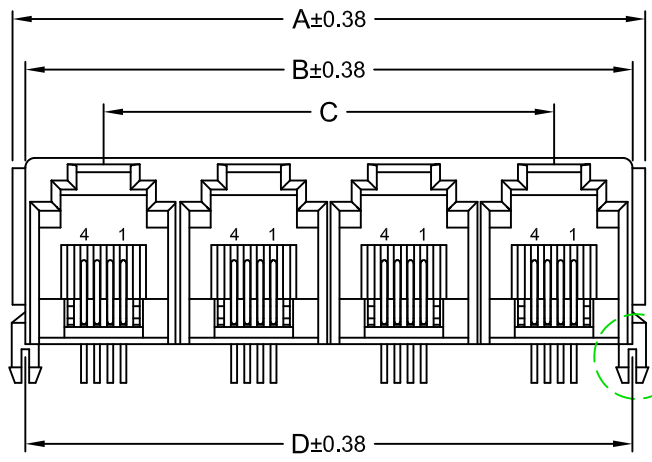


REV.	DESCRIPTION	DATE	DRAWN
A	NEW	23.11.2015	Ronny
B	add 3 ports & gray color housing option	21.10.2016	Ryan



Dimension mm	No. of Ports	
	3	4
A	37.45	49.10
B	35.45	47.10
C	23.30	34.95
D	35.45	47.10

Specifications

Electrical

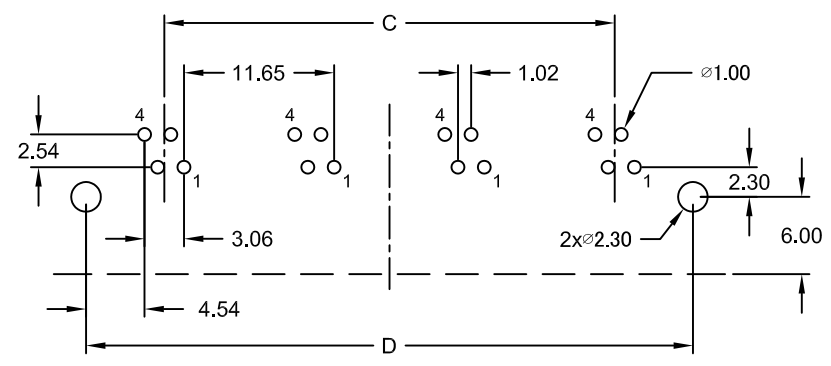
Current rating: 1.5A
 Insulation resistance: 500MΩ min.
 Withstanding voltage: 1000V AC / Minute
 Contact resistance: 30mΩ max.

Material

Contact: Copper Alloy ϕ 0.45mm
 Plating: Au on solder area;
 Au on contact area
 Insulator: PBT (Black or Gray) UL 94V-0

Operating temperature: -40°C to +85°C

Cavity comply with FCC Rules and Regulations Part 68, Subpart F



Recommended PCB Layout Top View
 (Tolerance \pm 0.05)

replace "x" with Number of Ports

3 or 4

add "/G" if gray color housing

PART NUMBER	GOLD PLATING CONTACT AREA
MJS-x64-S0S30-55	flash
MJS-x64-S0S30-66	6 μ "
MJS-x64-S0S30-77	15 μ "
MJS-x64-S0S30-88	30 μ "
MJS-x64-S0S30-HH	50 μ "

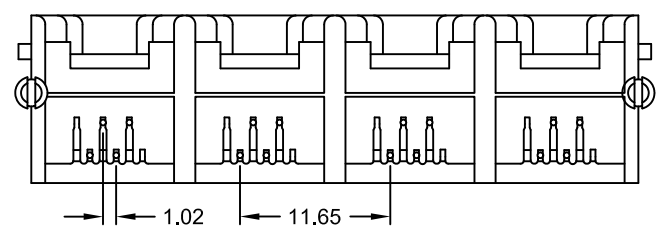
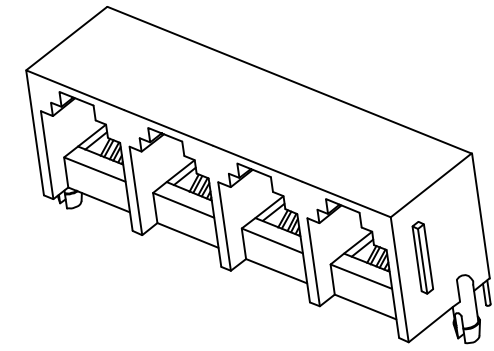
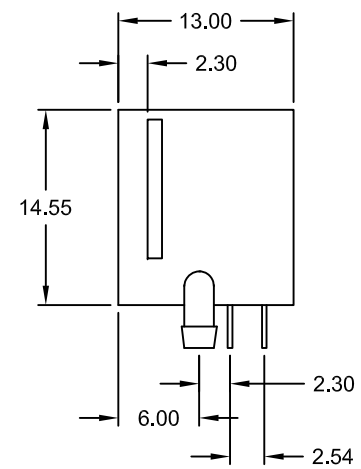
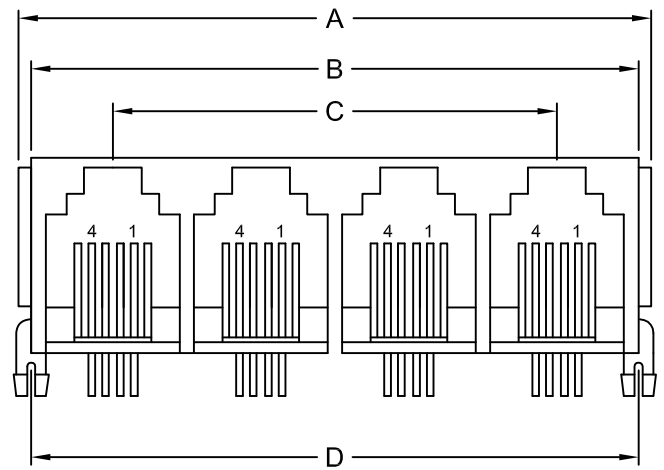
E-tec 2016 © - all rights reserved



UNIT	GENERAL TOLERANCE		DRAWN	DATE	DWG. NO.	SHEET 1/1
mm	X.° ±	X. ±	Ronny	23.11.2015	2311400	REV. B
SCALE	.X° ±	.X ±	Ronny	21.10.2016		
	.XX° ±	.XX ± 0.25	APPROVE	DATE	MJS-x6x-S0S30-xx	
	.XXX° ±	.XXX ±	Hogi	21.10.2016		

Multi Port "side by side" PCB Jack
 RJ14 3 or 4x <6P4C> "Tab up"
 side entry - short profile Type
 NON shielded, with panel stop

REV.	DESCRIPTION	DATE	DRAWN
A	New	27.11.2015	Cherry



Dimension mm	No. of Ports		
	4	6	8
A	49,10	72,40	95,70
B	47,15	70,45	93,75
C	34,95	58,25	81,55
D	47,10	70,40	93,70



Specifications

Electrical

Current rating: 1.5A
 Insulation resistance: 500MΩ min.
 Withstanding voltage: 1000V AC / Minute
 Contact resistance: 30mΩ max.

Material

Contact: Phosphor Bronze Ø0.45mm
 Plating: Au on solder area;
 Au on contact area
 Insulator: PBT (Black) UL 94V-0

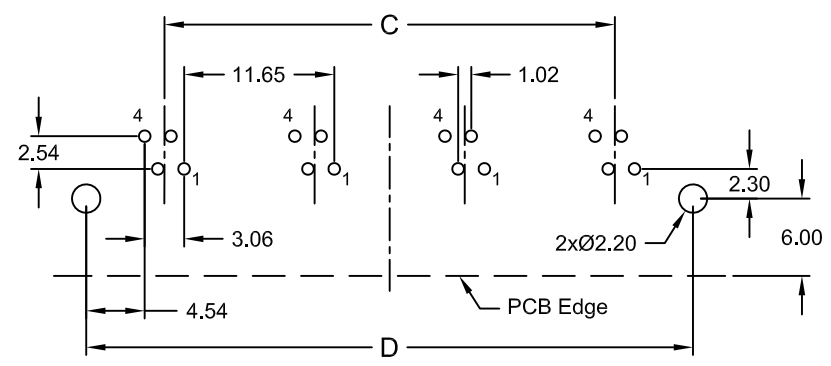
Operating temperature: -40°C to +85°C

Cavity comply with FCC Rules and Regulations Part 68, Subpart F

replace "x" with Number of Ports

4, 6, or 8

PART NUMBER	GOLD PLATING CONTACT AREA
MJS-x64-S4S30-55	flash
MJS-x64-S4S30-66	6μ"
MJS-x64-S4S30-77	15μ"
MJS-x64-S4S30-88	30μ"
MJS-x64-S4S30-HH	50μ"



Recommended PCB Layout Top View
 (Tolerance ±0.05)

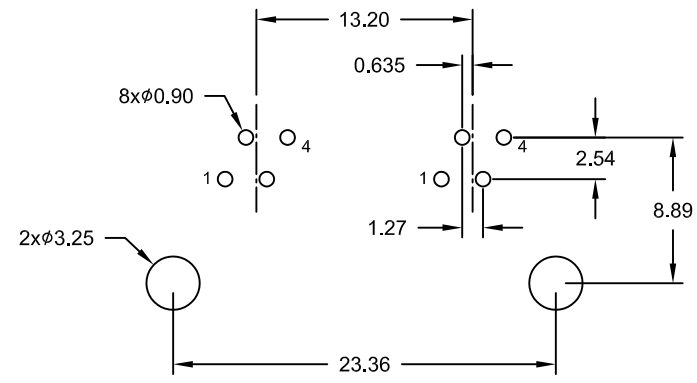
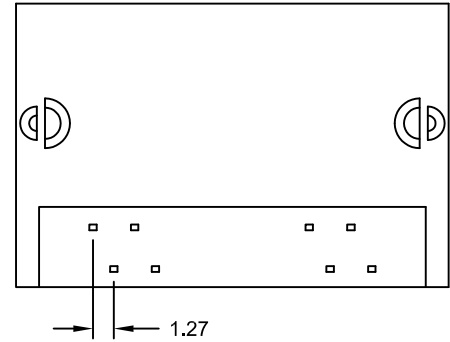
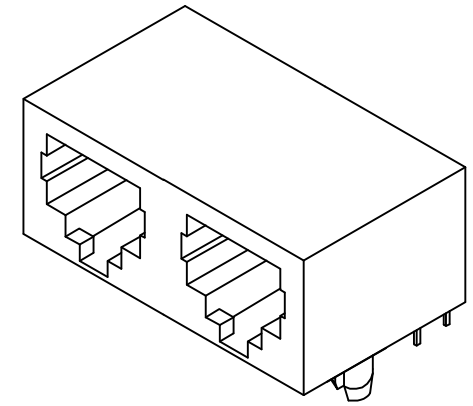
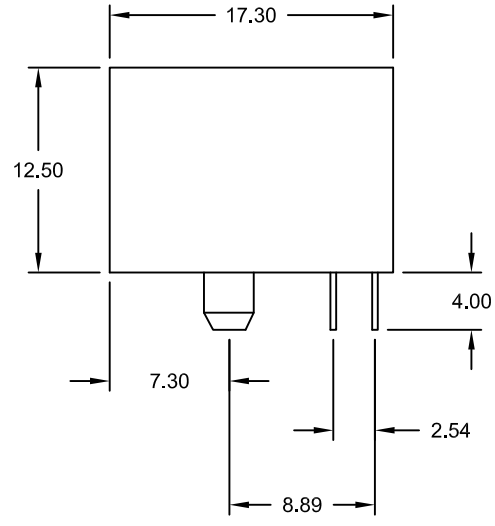
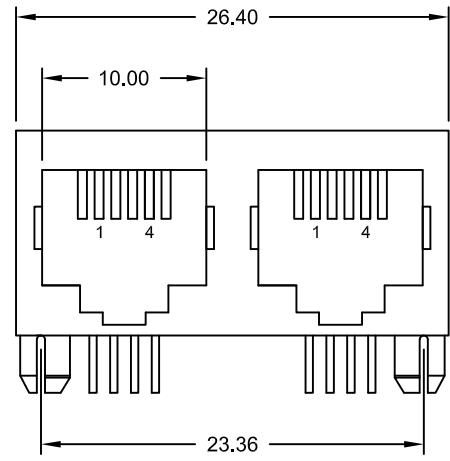
E-tec 2015 © - all rights reserved



UNIT mm	GENERAL TOLERANCE		DRAWN Cherry	DATE 27.11.2015	DWG. NO. 2311401	SHEET 1/1	
	X.° ±	X. ±					
	SCALE Free	X.° ±	.X ±	CHECK Ronny	DATE 30.11.2015	SERIES NO. MJS-x64-S4S30-xx	REV. A
		.XX° ±	.XX ± 0.15	APPROVE Hogi	DATE 30.11.2015		
.XXX° ±		.XXX ±					

Multi Port "side by side" PCB Jack
 RJ14 4, 6, or 8x <6P4C> **"Tab up"**
 side entry - short profile Type
 NON shielded, **with panel stop**

REV.	DESCRIPTION	DATE	DRAWN
A	NEW	15.02.2016	Ryan



Recommended PCB Layout Top View
(Tolerance ±0.05)

Specifications

Electrical

- Current rating: 1.5A
- Insulation resistance: 500MΩ min. / 500V DC
- Withstanding voltage: 1000V AC rms. 60 / Minuten
- Contact resistance: 40mΩ max. / 20mV DC

Material

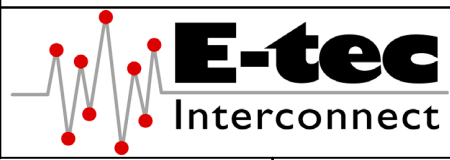
- Contact: Phosphor Bronze t=0.35mm
- Plating: Sn on solder area;
Au flash on contact area
- Insulator: PBT (black) UL 94V-0

Operating temperature: -40°C to +105°C

Cavity comply with FCC Rules and Regulations Part 68, Subpart F

PART NUMBER	GOLD PLATING CONTACT AREA
MJS-264-D4S0-96	6μ"
MJS-264-D4S0-97	15μ"
MJS-264-D4S0-98	30μ"
MJS-264-D4S0-9H	50μ"

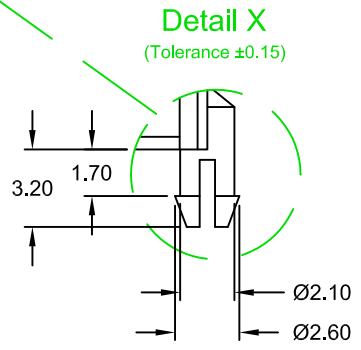
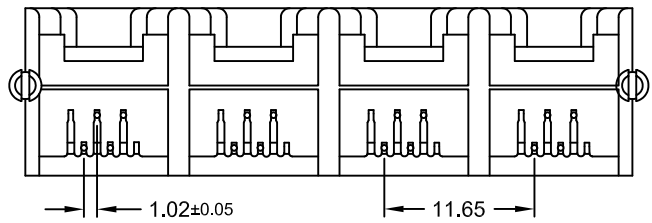
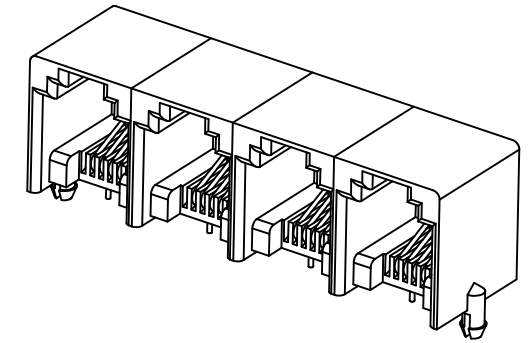
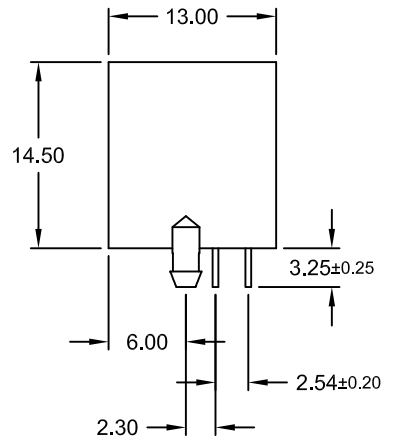
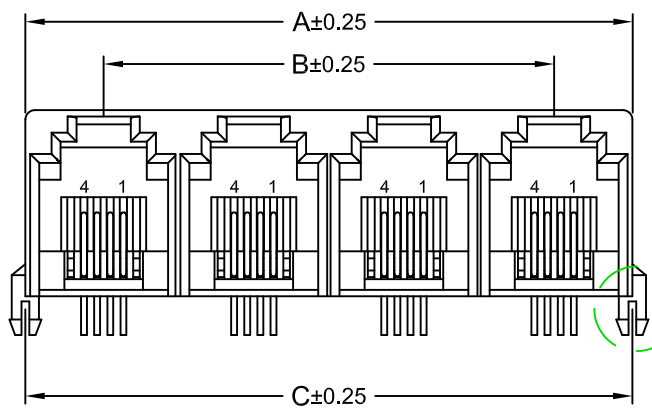
E-tec 2016 © - all rights reserved



UNIT mm	GENERAL TOLERANCE		DRAWN Ryan	DATE 15.02.2016	DWG. NO. 2311402	SHEET 1/1	
	X.° ±	X. ±					
	SCALE Free	.X° ±	.X ±	CHECK Ronny	DATE 15.02.2016	SERIES NO. MJS-264-D4S0-9x	REV. A
		.XX° ±	.XX ± 0.15	APPROVE Hogi	DATE 15.02.2016		
.XXX° ±		.XXX ±					

Multi Port "side by side" RJ 14 PCB JACK
2 x <6P4C> "Tab down"
 side entry - short profile Type
 NON SHIELDED

REV.	DESCRIPTION	DATE	DRAWN
A	New	24.10.2016	Cherry



Dimension mm	No. of Ports			
	3	4	6	8
A	35,55	47,20	70,50	93,80
B	23,30	34,95	58,25	81,55
C	35,25	46,90	70,20	93,50

Specifications

Electrical

Current rating: 1.5A
 Insulation resistance: 500MΩ min.
 Withstanding voltage: 1000V AC / Minute
 Contact resistance: 30mΩ max.

Material

Contact: Copper Alloy ϕ 0.45mm
 Plating: Au on solder area;
 Au on contact area
 Insulator: PBT (Black or Gray) UL 94V-0
 Operating temperature: -40°C to +85°C

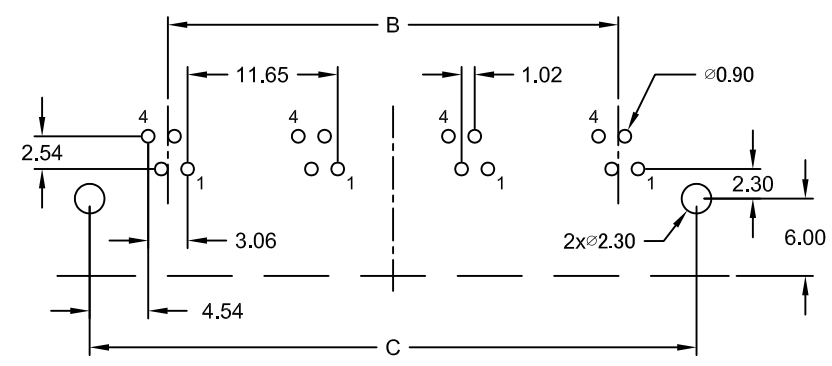
Cavity comply with FCC Rules and Regulations Part 68, Subpart F

replace "x" with Number of Ports

3, 4, 6 or 8

add "/G" if gray color housing

PART NUMBER	GOLD PLATING CONTACT AREA
MJS-x64-S3S0-55	flash
MJS-x64-S3S0-56	6μ"
MJS-x64-S3S0-57	15μ"
MJS-x64-S3S0-58	30μ"
MJS-x64-S3S0-HH	50μ"



Recommended PCB Layout Top View (Tolerance ±0.05)

E-tec 2016 © - all rights reserved



UNIT mm	GENERAL TOLERANCE		DRAWN Cherry	DATE 24.10.2016	DWG. NO. 2311403	SHEET 1/1
	SCALE Free	X.° ±	X. ±	CHECK Ronny	DATE 24.10.2016	REV. A
		.XX° ±	.XX ± 0.13	APPROVE Hogi	DATE 24.10.2016	SERIES NO. MJS-x6x-S3S0-xx
		.XXX° ±	.XXX ±			

Multi Port "side by side" PCB Jack
 RJ14 3, 4, 6 or 8x <6P4C> "Tab up"
 side entry - short profile Type
 NON shielded, without panel stop