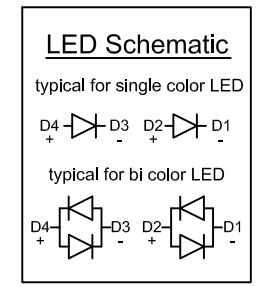
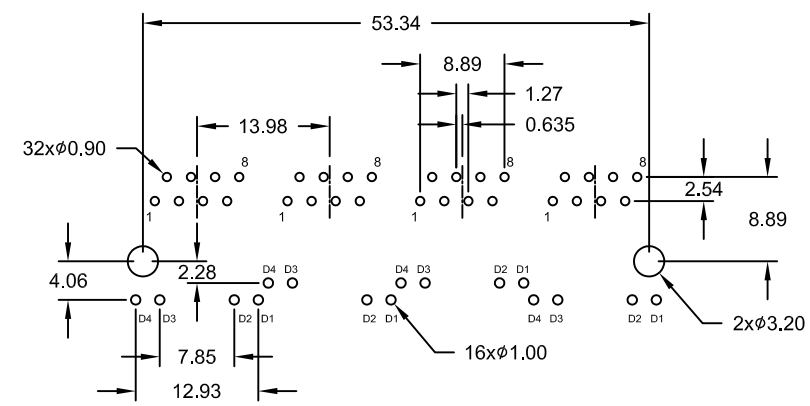
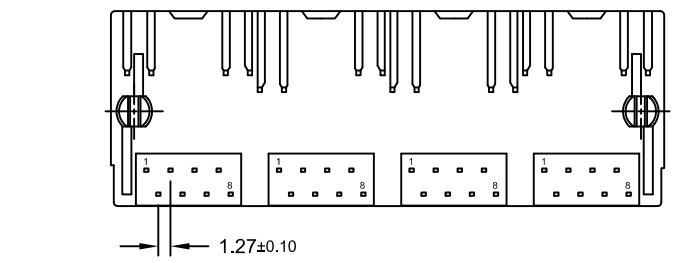
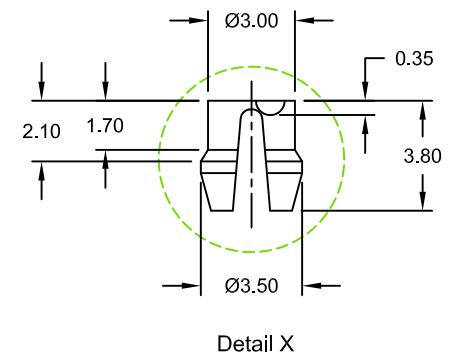
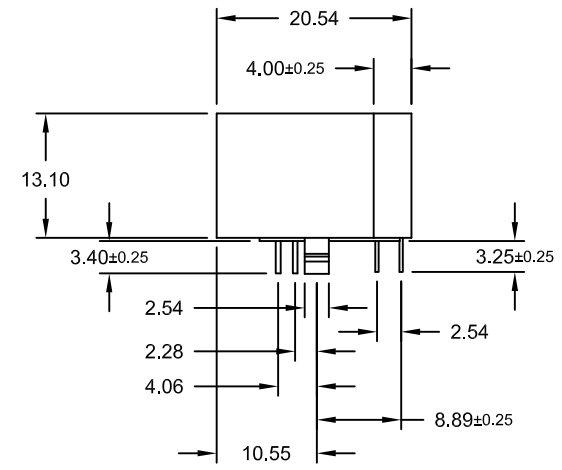
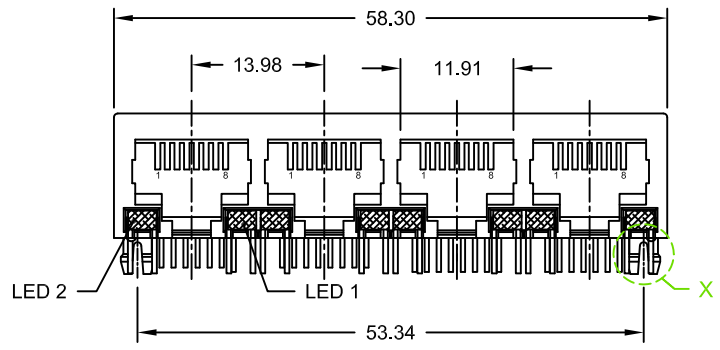


REV.	DESCRIPTION	DATE	DRAWN
A	NEW	04.03.2015	Ryan



Recommended PCB Hole Layout Top View  
(Tolerance: ±0.05)



Replace "x" with LED Color Options

PART NUMBER	GOLD PLATING CONTACT AREA	LED Color Options	
		LED 2	LED 1
MJS-488-LL3L0-56/x	6µ"	1 YELLOW	2 GREEN
MJS-488-LL3L0-57/x	15µ"	3 NO LED	4 GREEN
MJS-488-LL3L0-58/x	30µ"	5 GREEN	6 NO LED
MJS-488-LL3L0-5H/x	50µ"	7 GREEN	8 YELLOW

	LED 2	LED 1
1	YELLOW	GREEN
2	NO LED	GREEN
3	GREEN	NO LED
4	GREEN	YELLOW
5	GREEN	GREEN
6	YELLOW	YELLOW
7	ORANGE/GREEN	ORANGE/GREEN
8	YELLOW/GREEN	YELLOW/GREEN
9	RED	NO LED
A	GREEN/YELLOW	GREEN/YELLOW
B	RED/GREEN	RED/GREEN
C	RED/GREEN	GREEN/YELLOW
D	GREEN	GREEN/YELLOW
E	YELLOW	GREEN/YELLOW

**Specifications**

**Electrical**  
 Current rating: 1.5A  
 Insulation resistance: 500MΩ min. / 500V DC  
 Withstanding voltage: 1000V AC 60Hz / Minute  
 Contact resistance: 50mΩ max. / 20mV DC

**Material**

Contact: Phosphor Bronze t=0.35mm  
 Plating: Au on contact area;  
 Au on solder area  
 Insulator: PBT (black) UL 94V-0

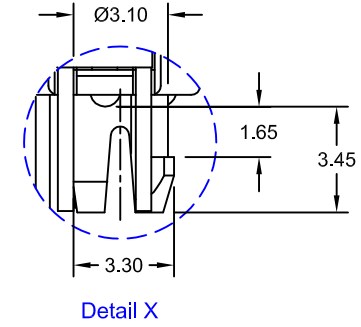
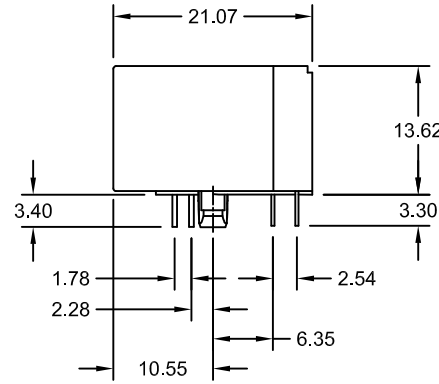
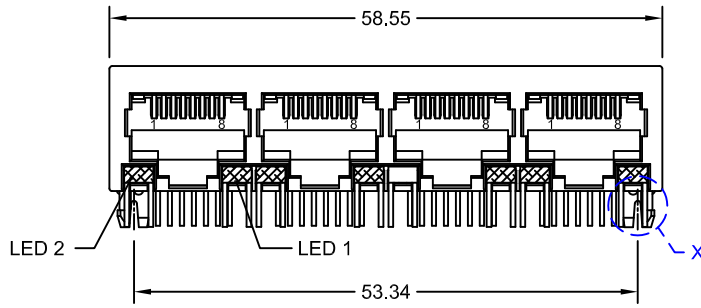
Cavity comply with FCC Rules and Regulations Part 68, Subpart F



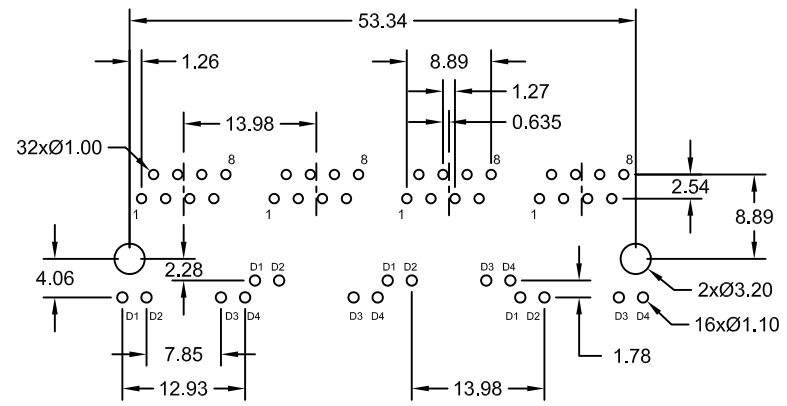
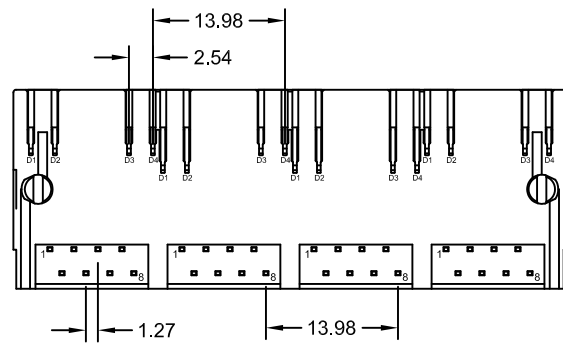
UNIT	mm	GENERAL TOLERANCE		DRAWN	DATE	DWG. NO.	SHEET 1/1
SCALE	Free	X.° ±	X. ±	Ryan	04.03.2015	2321500	REV. A
		.X° ±	.X ±	Ronny	04.03.2015	SERIES NO.	
		.XX° ±	.XX ± 0.20	Hogi	04.03.2015	MJS-488-LL3L0-5x/x	
		.XXX° ±	.XXX ±				

**Multi Port side entry RJ45 PCB JACK**  
**4x <8P/8C> "Tab down"**  
 Long profile Type  
 with LED NON SHIELDED

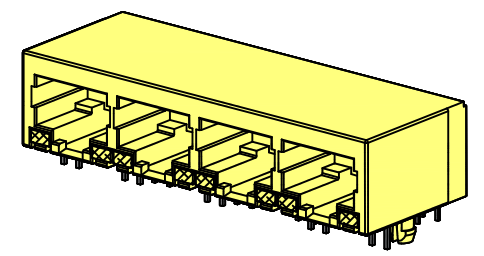
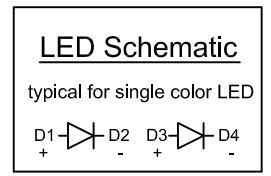
REV.	DESCRIPTION	DATE	DRAWN
A	NEW	01.10.2015	Ryan



Detail X



Recommended PCB Hole Layout Top View  
(Tolerance: ±0.05)



PART NUMBER	GOLD PLATING CONTACT AREA
MJS-488-LL0L0-96/xY	6µ"
MJS-488-LL0L0-97/xY	15µ"
MJS-488-LL0L0-98/xY	30µ"
MJS-488-LL0L0-9H/xY	50µ"

Replace "x" with LED Color Options

	LED 2	LED 1
4	GREEN	YELLOW
5	GREEN	GREEN



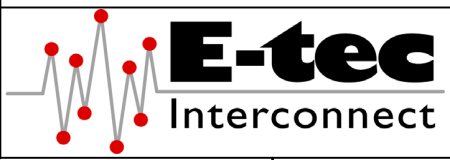
**Specifications**

**Electrical**  
 Current rating: 1.5A  
 Insulation resistance: 500MΩ min. / 500V DC  
 Withstanding voltage: 1000V AC 60Hz / Minute  
 Contact resistance: 50mΩ max. / 20mV DC

**Material**

Contact: Copper Alloy t=0.35mm  
 Plating: Au on contact area;  
 Sn on solder area  
 Insulator: PBT (yellow) UL 94V-0  
 Cavity comply with FCC Rules and Regulations Part 68, Subpart F

E-tec 2015 © - all rights reserved



UNIT mm	GENERAL TOLERANCE		DRAWN Ryan	DATE 01.10.2015	DWG. NO. 2321501	SHEET 1/1	
	SCALE Free	X° ±	X. ±	CHECK Ronny	DATE 01.10.2015	REV. A	
		.XX° ±	.XX ± 0.25	APPROVE Hogi	DATE 01.10.2015	SERIES NO. MJS-488-LL0L0-9x/xY	
		.XXX° ±	.XXX ±				

**Multi Port side entry RJ45 PCB JACK**  
 4x <8P/8C> "Tab down"  
 long profile Type **-Yellow-**  
 with LED NON shielded