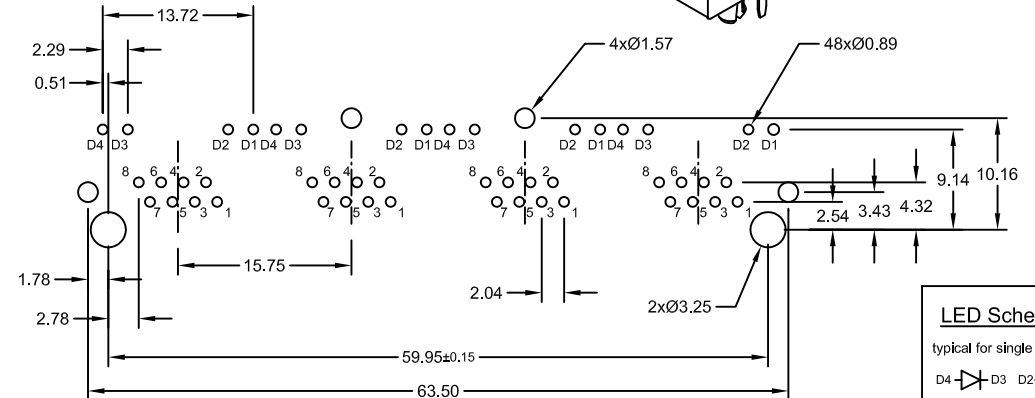
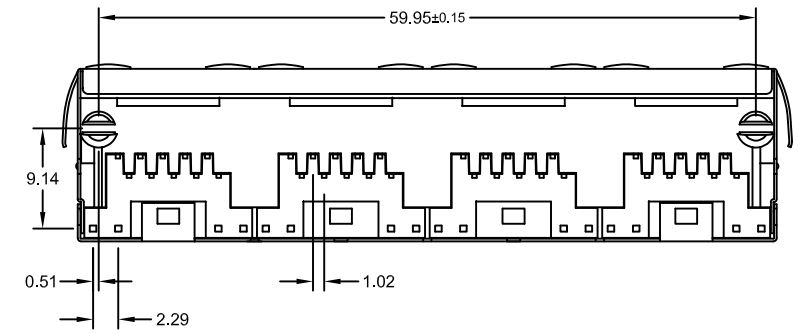
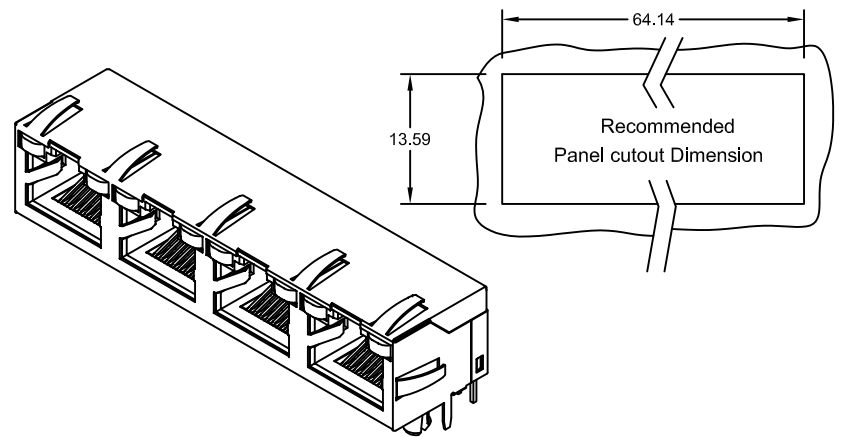
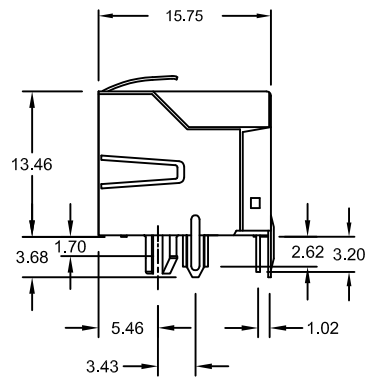
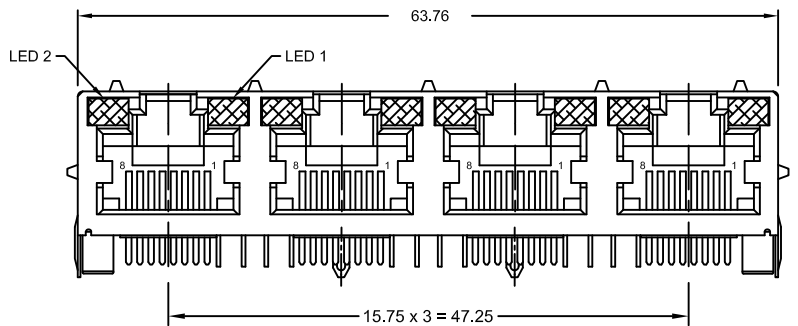


REV.	DESCRIPTION	DATE	DRAWN
A	New	02.03.2009	Ronny
C	New DWG. No.	01.02.2012	Ronny
D	P/N MJS-488- -> MJS-408-	12.04.2012	Ronny
E	add Dim	23.03.2013	Ryan
F	Update RoHS	28.01.2016	Ronny



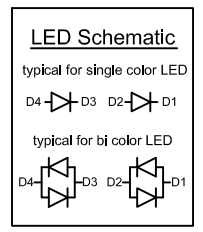
Recommended PCB Layout  
(Top View)

**Specifications**

**Electrical**  
 Current rating: 1.5A  
 Insulation resistance: 500MΩ min.  
 Contact resistance: 50mΩ max.  
 Withstanding voltage: 1000V AC / Minute  
 Operating life: 750 cycles min.  
 Cavity comply with FCC Rules and Regulations Part 68, Subpart F

**Material**

Contact: Phosphor Bronze  
 Plating: Sn on solder area;  
 Au on contact area  
 Shield: Brass  
 Plating: Ni  
 Insulator: PBT (black) UL 94V-0  
 Operating temperature: -40°C to +85°C



Replace "x" with LED Color Options

LED Color Options	
LED 2	LED 1
1 YELLOW	GREEN
2 NO LED	GREEN
3 GREEN	NO LED
4 GREEN	YELLOW
5 GREEN	GREEN
-	-
7 ORANGE/GREEN	ORANGE/GREEN
8 YELLOW/GREEN	YELLOW/GREEN
9 RED	NO LED
A GREEN/YELLOW	GREEN/YELLOW
B RED/GREEN	RED/GREEN
C RED/GREEN	GREEN/YELLOW
D GREEN	GREEN/YELLOW
E YELLOW	GREEN/YELLOW

PART NUMBER	GOLD PLATING CONTACT AREA
MJS-408-L1S0-96/4xCB	6μ"
MJS-408-L1S0-97/4xCB	15μ"
MJS-408-L1S0-98/4xCB	30μ"
MJS-408-L1S0-9H/4xCB	50μ"

E-tec 2015 © - all rights reserved



UNIT	SCALE	GENERAL TOLERANCE	DRAWN	DATE	DWG. NO.	SHEET 1/1
mm	Free	X.° ± X. ±	Ronny	02.03.2009	2341600	REV. F
		.X° ± .XX ± 0.25	ANDRES	28.01.2016		
		.XXX° ± .XXX ±	HOGI	28.01.2016		
					SERIES NO.	
					MJS-408-L1S0-9x/4xXX	

**Multi Port "side by side" RJ 50 PCB JACK**  
**4 x <10P8C> "TAB UP"**  
 side entry - short profile Type with LED fully shielded with gnd. Latches