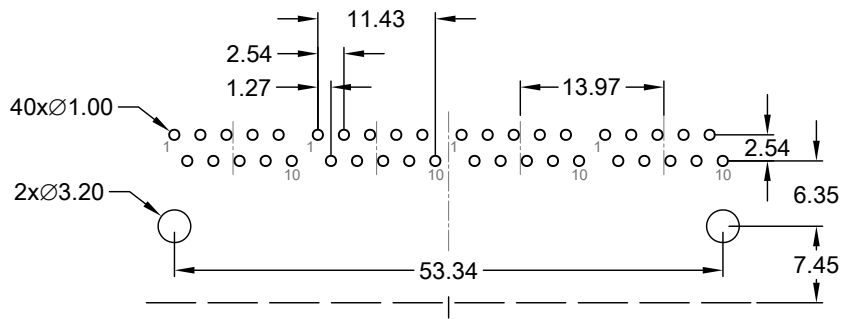
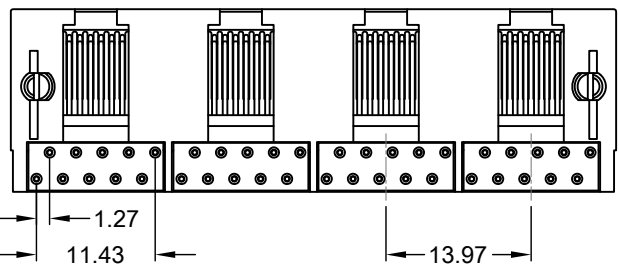
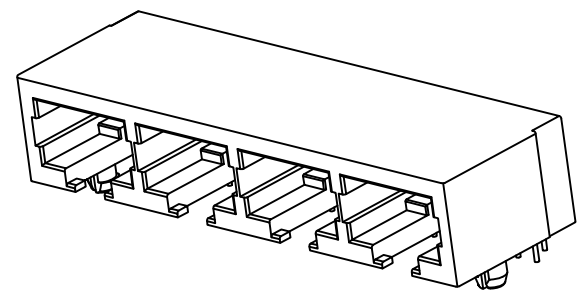
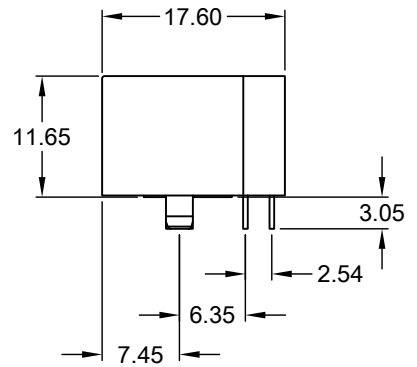
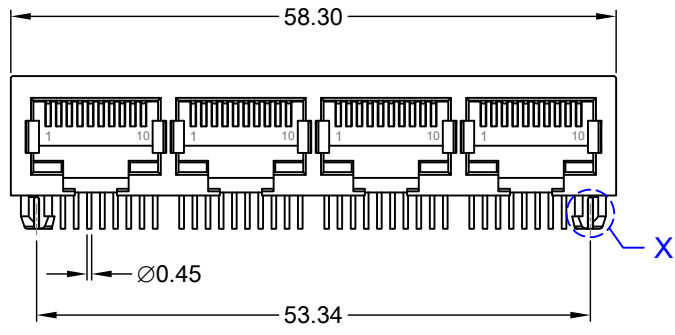
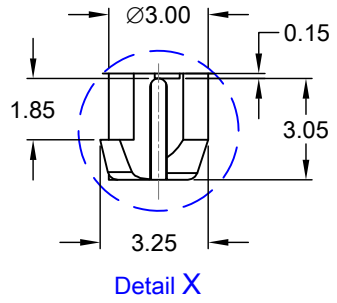


REV.	DESCRIPTION	DATE	DRAWN
A	New	29.03.2022	Cherry



Recommended PCB Layout Top View
(Tolerance ±0.05)
PCB thickness: 1.60±0.05mm



PART NUMBER	GOLD PLATING CONTACT AREA
MJS-400-D0S0-55	flash
MJS-400-D0S0-66	6µ"
MJS-400-D0S0-77	15µ"
MJS-400-D0S0-88	30µ"
MJS-400-D0S0-HH	50µ"



Material
 Contact: Copper Alloy
 Plating: Au on solder, Au on contact area
 entire contact Ni underplated
 Insulator: PBT (black) UL 94V-0
 Operating temperature: -40°C to +85°C
 Cavity comply with FCC Rules and Regulations
 Part 68, Subpart F

Specifications

Electrical
 Current rating: 1.5A
 Insulation resistance: 500MΩ min.
 Contact resistance: 30mΩ max.
 Withstanding voltage: 1000V AC/Minute

E-tec 2022 © - all rights reserved



UNIT	mm	GENERAL TOLERANCE		DRAWN	DATE	DWG. NO.	SHEET 1/1
SCALE	Free	X.° ±	X. ±	Cherry	28.03.2022	2311605	REV. A
		.X° ±	.X ±	CHECK	DATE	SERIES NO.	
		.XX° ±	.XX ± 0.25	Ronny	29.03.2022	MJS-400-D0S0-xx	
		.XXX° ±	.XXX ±	APPROVE	DATE		
				Fagi	29.03.2022		

Multi Port RJ50 PCB Jack
 4x <10P10C> Side by Side - "Tab Down"
 Side Entry - Short Profile - without LED
 NON shielded