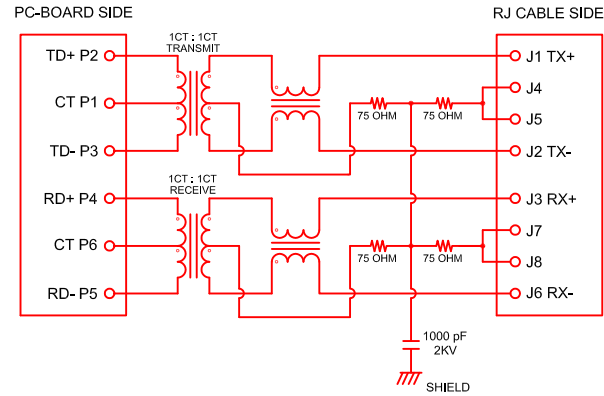
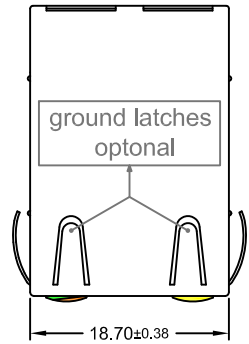


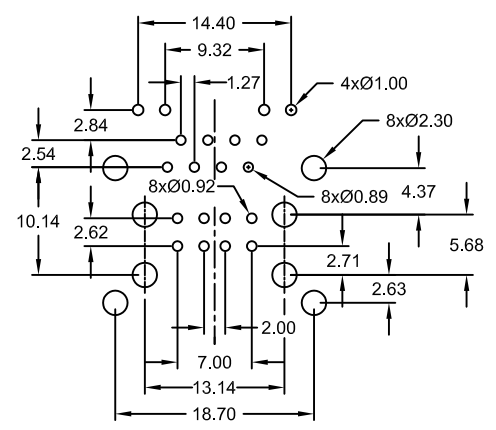
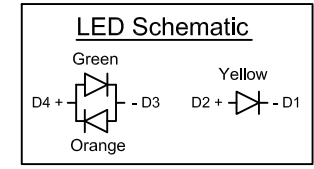
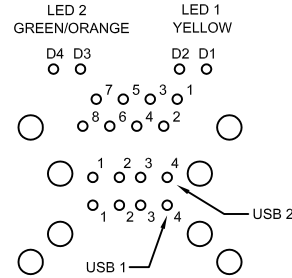
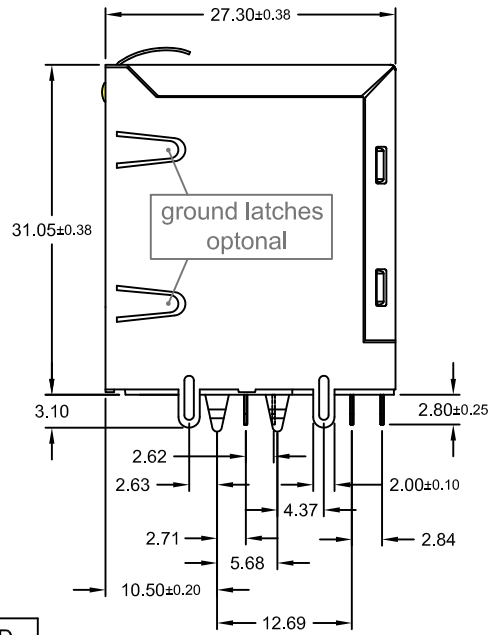
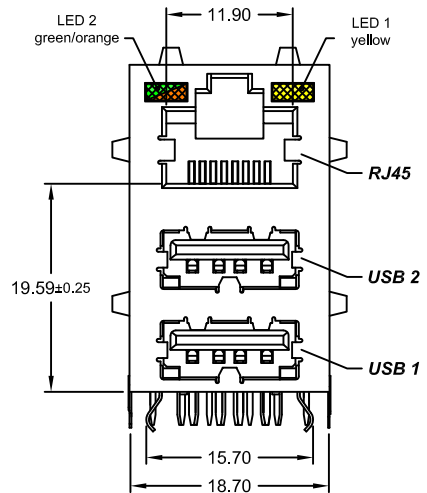
REV.	LOCAS.	DESCRIPTION	DATE	DRAWN
A		NEW	02.07.2012	Ronny
B		ground latches optional	05.07.2012	Ronny
C		electr. charact. item 6: -80 → -30	10.07.2012	Ronny

Schematic: "K" Type



Item	Parameter	Condition	min.	Typ.	max.	Unit	Remark
1	Insertion loss	@ 1-100 MHz			-1.0	dB	
2	Return loss	@ 1-30 MHz	-18			dB	Note 1
		@ 30-60 MHz				dB	
3	Crosstalk	@ 500kHz-100 MHz	-35			dB	
4	Hipot	Vrms	1.5			kV	
5	Common to Differential Mode Rejection	@ 100kHz-100 MHz	-40			dB	
6	Common to Common Mode Rejection	@ 100kHz-100 MHz	-30			dB	

* Note 1: -18-20 log (f/30MHz) db.



replace CA with CS
if no ground latches requested

PART NUMBER	GOLD PLATING
MJS-3U88-M3LK-56/NCA	6μ"
MJS-3U88-M3LK-57/NCA	15μ"
MJS-3U88-M3LK-58/NCA	30μ"

SPECIFICATION :

- MATERIAL**
 RJ Insulator: PBT UL94V-0 (Black)
 USB Insulator: PBT UL94V-0 (Black)
 Spacer: PBT UL94V-0 (Black)
 Contacts: PhBz (t=0,35mm)
 Plating: Au flash / Au
 Shield: Copper Alloy (t=0,20mm)
 Plating: Ni
- Operating Life:** 750 cycles min.
- Temperature range:**
 Operating: -0°C to +70°C
 Storage: -40°C to +85°C

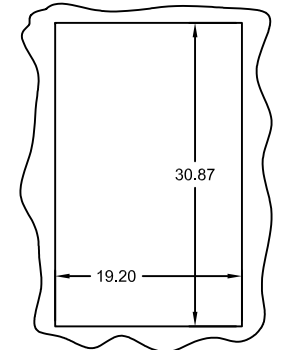
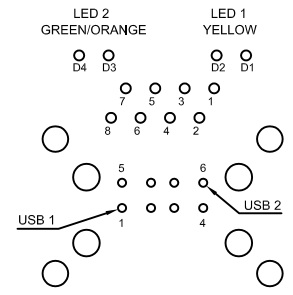
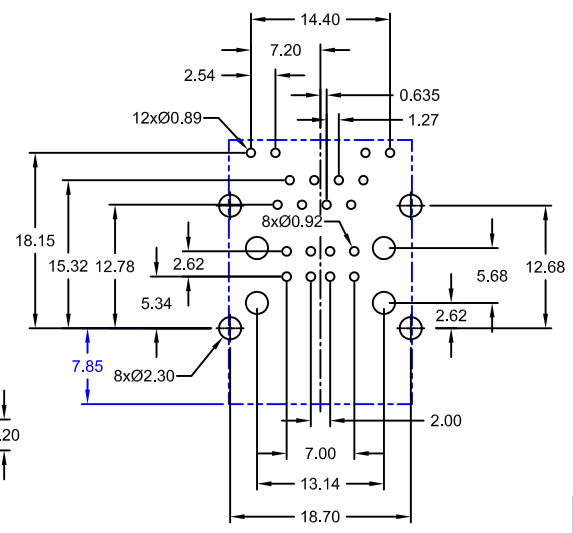
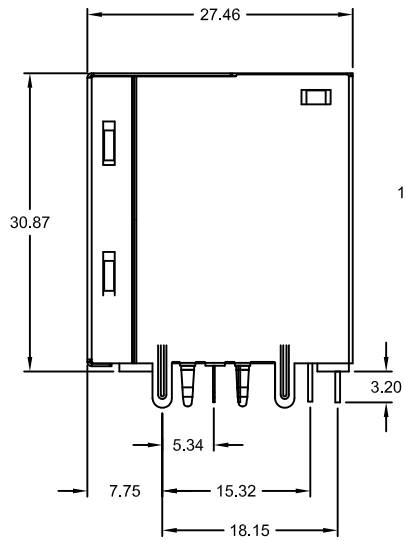
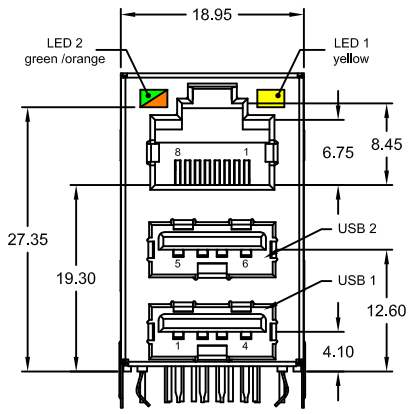
Cavity confirms to FCC Rules and Regulations PART68 Subpart F.

RJ45 / USB COMBO TYPE
2 x USB "A" - 1x RJ 45 <8P/8C>
 FULLY SHIELDED, WITH SPECIAL FILTER
 with & without ground latches



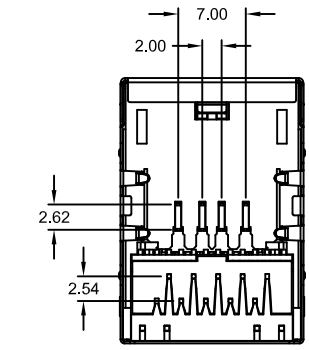
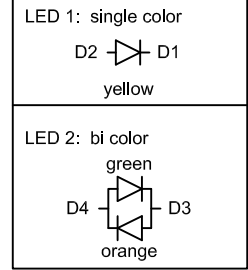
UNIT	GENERAL TOLERANCE	DRAWN	DATE	DWG. NO.	SHEET 1/1
mm	X. ^o ± X. ±	Ronny	02.07.2012	4342502	REV. C
SCALE	.X ^o ± .X ± 0.25	CHECK	10.07.2012	SERIES NO.	
	.XX ^o ± .XX ± 0.13	APPROVE	10.07.2012	MJS-3U88-M3LK-5x/NCX	
	.XXX ^o ± .XXX ± 0.05	Hogi			

REV.	DESCRIPTION	DATE	DRAWN
A	NEW	11.03.2015	Ronny
B	add DIM sect. A to C 1 & 2	07.05.2015	RH

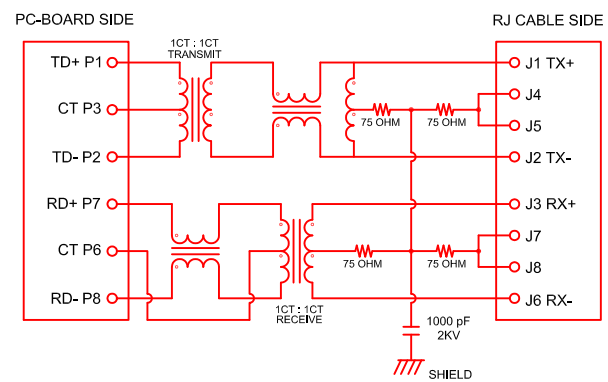


Recommended PCB Layout Top View (Tolerance ±0.08)

LED Schematic



Schematic: "C" Type



Materials

RJ45 Housing: Nylon UL94V-0 (Black)
 RJ45 Contact: Copper Alloy t=0.25mm
 USB 2.0 Contact: Phosphor Bronze C5210-H t=0.30mm
 Shell: Front Shell SUS201 1/4H t=0.25mm
 Shell: Back Shell SUS201 1/4H t=0.20mm

Finish

RJ45 Contact
 Sn/Au plating over Ni
 USB Contact
 Au 15µ" plating over Ni

Operating temperature: 0°C ~ +70°C
 Jack Cavity comply with FCC Rules and Regulations Part 68, Subpart F

ELECTRICAL CHARACTERISTICS

- Test Notes: (25°C ±5°C)
- TR: (100KHz 0.1V):
 Pins: (P1-P2);(J1-J2)=1:1±3%
 Pins: (P7-P8);(J3-J6)=1:1±3%
 - LX: (100KHz 100mV 8mA DC Bias)
 Pins: (P1-P2);(P7-P8)=350µH min.
 - DCR:
 Pins: (J1-J2);(J3-J6)=1.2Ω max.
 - HIPOT:
 Input to output Pin; 1500V AC / 60 sec.
 - INSERTION LOSS:
 -1.0dB max. at 0.3MHz to 100MHz
 - RETURN LOSS:
 -20dB min. at 1MHz to 30MHz
 -15dB min. at 30MHz to 60MHz
 -10dB min. at 60MHz to 80MHz
 - CROSS TALK:
 -30dB min. at 1MHz to 100MHz
 - COMMON TO COMMON MODE REJECTION:
 -30dB min. at 1MHz to 100MHz

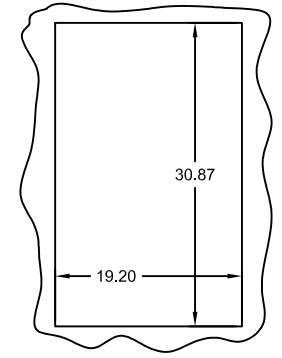
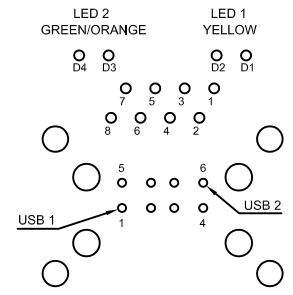
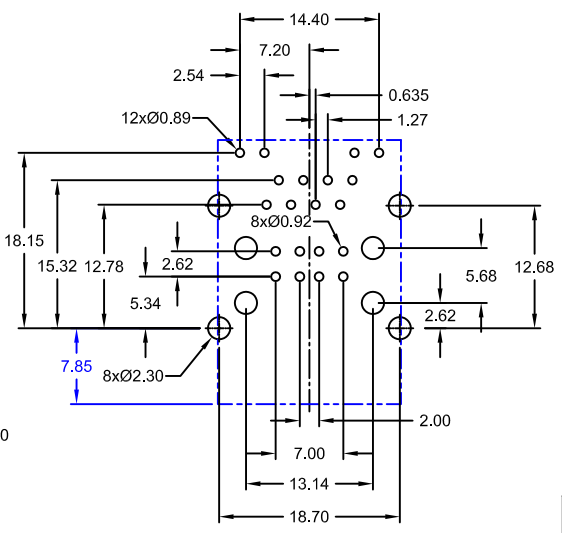
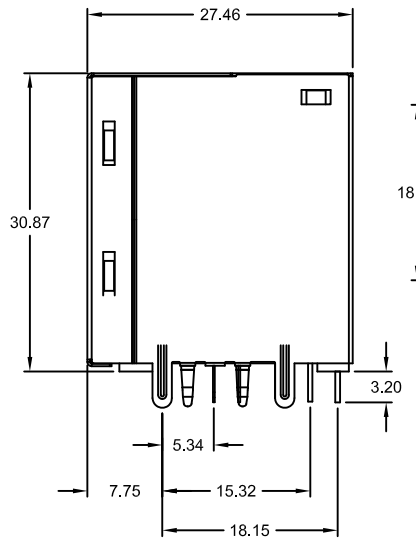
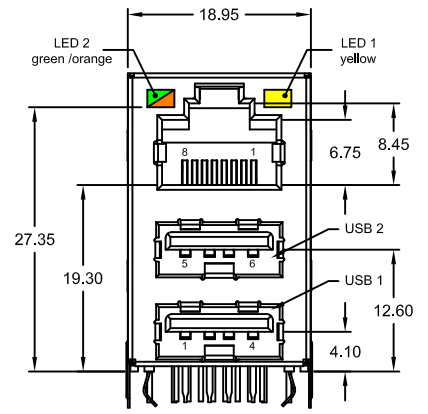
PART NUMBER	GOLD PLATING CONTACT AREA
MJS-3U88-SCLG-97/ENCS	15µ"



UNIT	GENERAL TOLERANCE		DRAWN	DATE	DWG. NO.	SHEET 1/1
mm	X.° ±	X. ±	Ronny	11.03.2015	4342507	REV. B
SCALE Free	.X° ±	.X ±	Hogi	07.05.2015	SERIES NO.	
	.XX° ±	.XX ± 0.25	APPROVE Hogi	07.05.2015	MJS-3U88-SCLG-9x/ENCS	
	.XXX° ±	.XXX ±				

RJ45 / USB COMBO TYPE
1x RJ45 <8P/8C>
2 x USB "A" 2.0
 fully shielded, **Type "C"** 10/100 Mbps Filtered

REV.	DESCRIPTION	DATE	DRAWN
A	NEW	31.07.2015	RH



Recommended PCB Layout
Top View
(Tolerance ±0.08)

LED Schematic

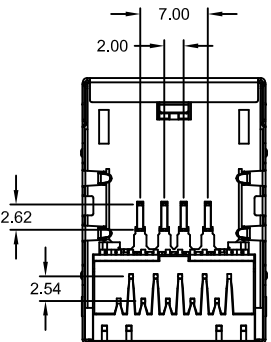
LED 1: single color
+ D2 - D1 -
yellow

LED 2: bi color
green
orange
D4 - D3 +
+ D1 - D2 -

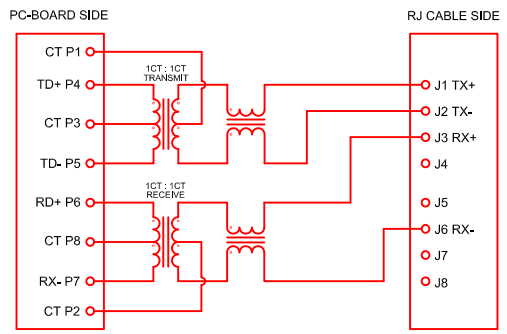


ELECTRICAL CHARACTERISTICS

- Test Notes: (25°C ±5°C)
- TR: (100KHz 0.1V):
Pins: (P4-P5):(J1-J2)=1±3%
Pins: (P6-P7):(J3-J6)=1±3%
 - LX: (100KHz 100mV 8mA DC Bias)
Pins: (P4-P5):(P6-P7)=350µH min.
 - DCR:
Pins: (J1-J2):(J3-J6)=1.2Q max.
 - HIPOT:
Pins: (P4,P5)to(J1,J2)=1500V AC for 60 sec.
or 2250V DC 60 sec.
Pins: (P6,P7)to(J3,J6)=1500V AC for 60 sec.
or 2250V DC 60 sec.
 - INSERTION LOSS:
-1.0dB max. at 1MHz to 100MHz
 - RETURN LOSS:
-18dB min. at 1MHz to 30MHz, load 100Ω
-16dB min. at 30MHz to 60MHz, load 100Ω
-12dB min. at 60MHz to 80MHz, load 100Ω
 - CROSS TALK:
-30dB min. at 1MHz to 100MHz
 - COMMON TO COMMON MODE REJECTION:
-30dB min. at 1MHz to 100MHz



Schematic: "9" Type



Materials

RJ45 Housing: Nylon UL94V-0 (Black)
RJ45 Contact: Copper Alloy t=0.25mm
USB 2.0 Contact: Phosphor Bronze C5210-H t=0.30mm
Shell: Front Shell SUS201 1/4H t=0.25mm
Shell: Back Shell SUS201 1/4H t=0.20mm

Finish

RJ45 Contact
Sn/Au plating over Ni
USB Contact
Au 15µ" plating over Ni

Operating temperature: 0°C ~ +70°C
Storage temperature: -40°C ~ +85°C
Jack Cavity comply with FCC Rules and Regulations Part 68, Subpart F

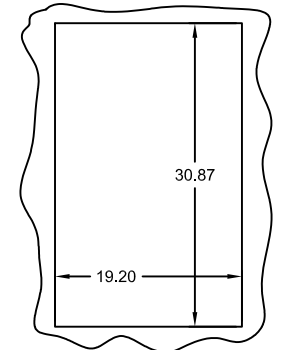
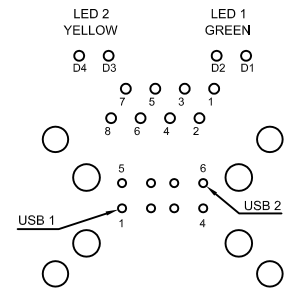
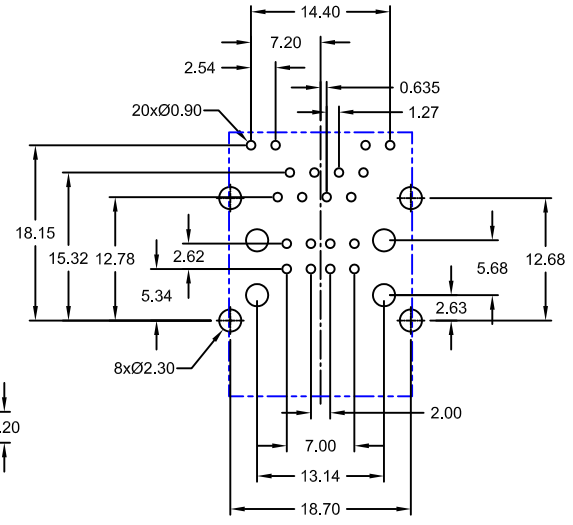
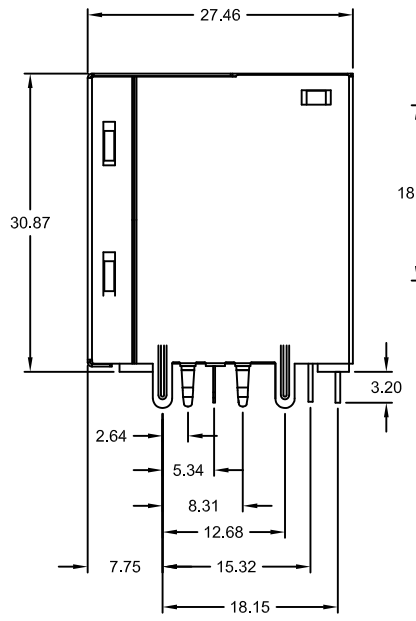
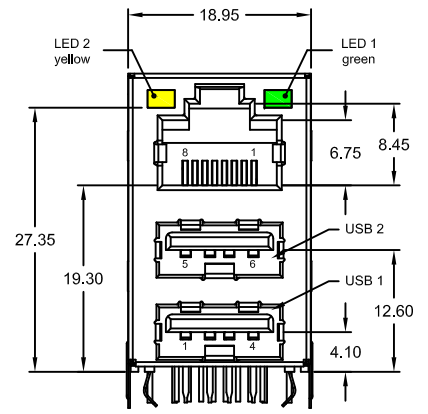
PART NUMBER	GOLD PLATING CONTACT AREA
MJS-3U288-SCL9-96/ENCS	6µ"
MJS-3U288-SCL9-97/ENCS	15µ"



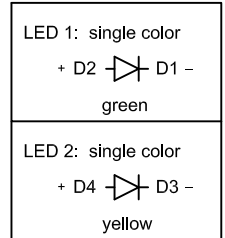
UNIT	GENERAL TOLERANCE	DRAWN	DATE	DWG. NO.	SHEET 1/1
mm	X.° ± X. ±	RH	31.07.2015	4342508	REV. A
SCALE Free	.X° ± .X ±	CHECK Hogi	31.07.2015	SERIES NO.	
	.XX° ± .XX ± 0.25	APPROVE Hogi	31.07.2015	MJS-3U288-SCL9-9x/ENCS	
	.XXX° ± .XXX ±				

RJ45 / USB COMBO TYPE fully shielded
1x RJ45 <8P/8C> "TAB UP" with LED
Type "9" 10/100 Mbps 4 core TX Filtered
2 x USB "A" 2.0

REV.	DESCRIPTION	DATE	DRAWN
A	NEW	18.11.2015	Ronny



LED Schematic

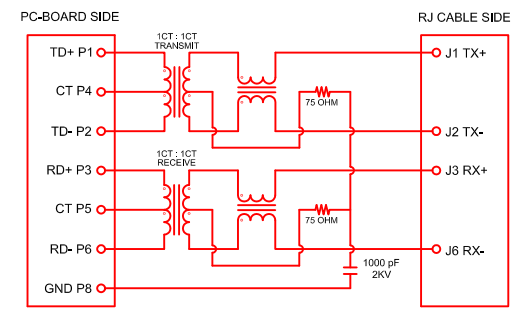


ELECTRICAL CHARACTERISTICS

- Test Notes: (25°C ±5°C)
- TR: Input to Output = 1:1±3%
 - LX: (100KHz 100mV 8mA DC Bias) 350µH min.
 - DCR: every RJ Pair = 1.2Ω max.
 - HIPOT: Input to Output Pin = 1500V AC for 60 sec.
 - INSERTION LOSS: -1.0dB max. at 0.3MHz to 100MHz
 - RETURN LOSS: -20dB min. @ 1MHz to 30MHz, load 100Ω
-15dB min. @ 30MHz to 60MHz, load 100Ω
-10dB min. @ 60MHz to 80MHz, load 100Ω
 - CROSS TALK: -30dB min. @ 1MHz to 100MHz
 - COMMON TO COMMON MODE REJECTION: -30dB min. @ 1MHz to 100MHz

Recommended PCB Layout Top View (Tolerance ±0.08)

Schematic: "AA" Type



Materials

- RJ45 Housing: Nylon UL94V-0 (Black)
- RJ45 Contact: Copper Alloy t=0.25mm
- USB 2.0 Contact: Phosphor Bronze C5210-H t=0.30mm
- Shell: Front Shell SUS201 1/4H t=0.25mm
- Shell: Back Shell SUS201 1/4H t=0.20mm

Plating

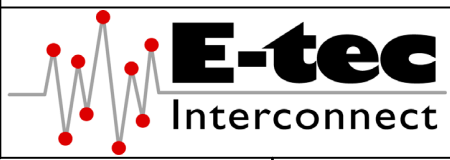
- RJ45 Contact: Sn/Au over Ni
- USB Contact: Au 15µ" over Ni

Operating temperature: -40°C ~ +85°C
Lifetime: 750 mating cycles min.

Jack Cavity comply with FCC Rules and Regulations Part 68, Subpart F

PART NUMBER	GOLD PLATING CONTACT AREA
MJS-3U288-SGLAA-97/E1CS	15µ"

E-tec 2015 © - all rights reserved



UNIT	SCALE	GENERAL TOLERANCE	DRAWN	DATE	DWG. NO.	SHEET 1/1
mm	Free	X.° ±	Ronny	18.11.2015	4342509	REV. A
		.X° ±	Hogi	18.11.2015		
		.XX° ±	Hogi	18.11.2015		
		.XXX° ±				

RJ45 / USB COMBO TYPE fully shielded
1x RJ45 <8P/8C> "TAB UP" with LED
Type "AA" 10/100 Mbps 4 core TX Filtered
2 x USB "A" 2.0