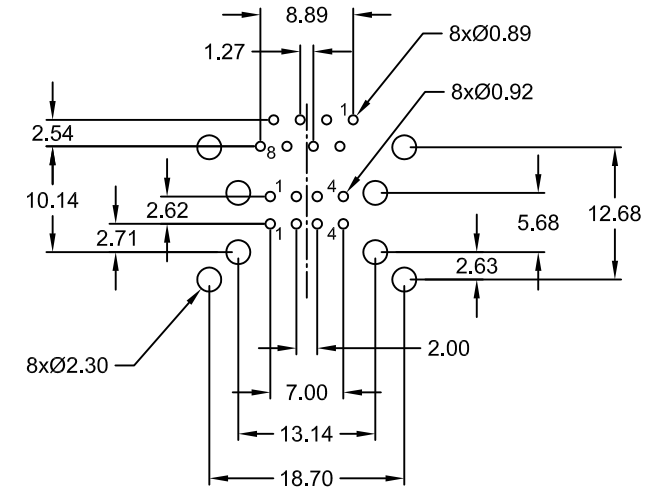
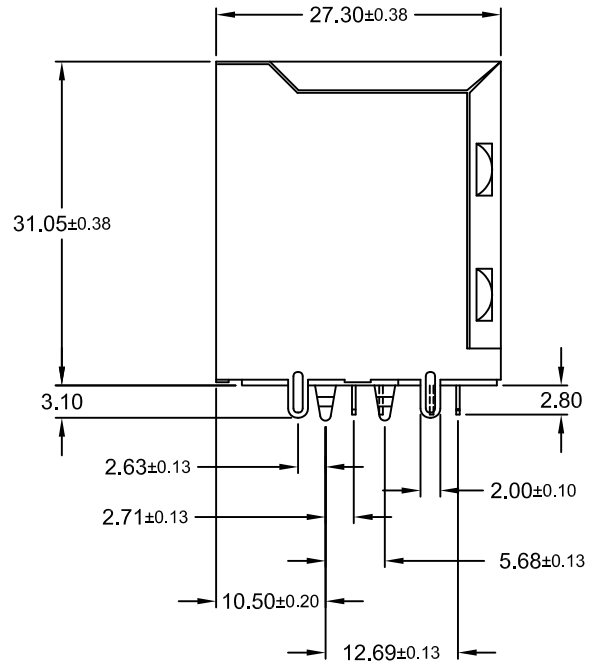
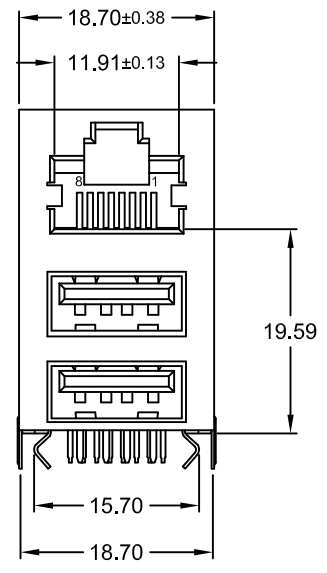
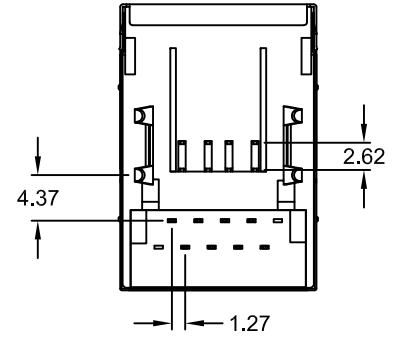


REV.	DESCRIPTION	DATE	DRAWN
A	NEW	05.11.2014	Ronny



Recommended PCB Hole Layout
Top View



Material

Contact: Phosphor Bronze t=0.35mm
 Plating: Au flash on solder area
 entire contact Ni underplated
 Shell: Copper Alloy t=0.20mm
 Plating: Ni
 Insulator: PBT (Black) UL 94V-0

Operating temperature: -40°C to +85°C

Cavity conforms to FCC rules and regulations
 Part 68, Subpart F

Specifications

Electrical
 Current rating: 1A max.
 Insulation resistance: 500MΩ min.
 Voltage rating: 150V AC max.
 Withstanding voltage: 1000V AC
 Contact resistance: 40mΩ max.

PART NUMBER	GOLD PLATING CONTACT AREA
MJS-3U88-S3L0-56/ECS	6μ"
MJS-3U88-S3L0-58/ECS	30μ"



UNIT	SCALE	GENERAL TOLERANCE	DRAWN	DATE	DWG. NO.	SHEET 1/1
mm	Free	X.° ± X. ±	Ronny	05.11.2014	4331500	REV. A
		.X° ± .XX ± 0.25	Hogi	05.11.2014		
		.XXX° ± .XXX ±	Hogi	05.11.2014		
					MJS-3U88-S3L0-xx/ECS	

RJ45 / USB COMBO TYPE
1x RJ45 <8P/8C>
2 x USB "A" 1.0
 fully shielded