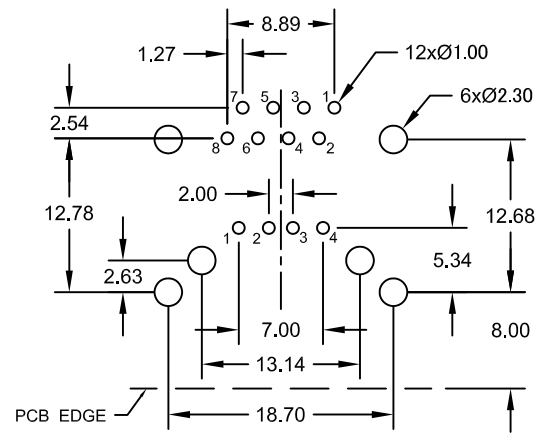
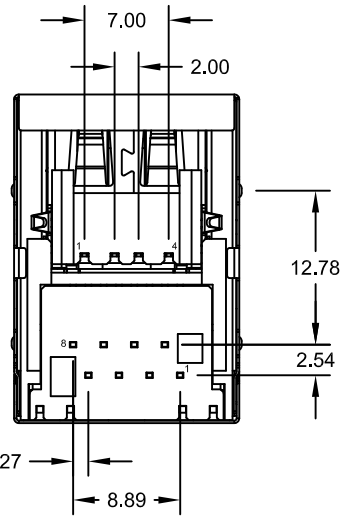
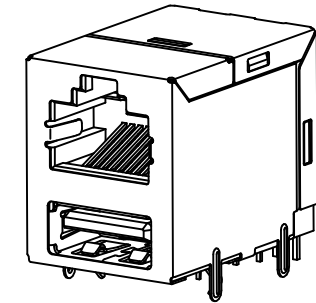
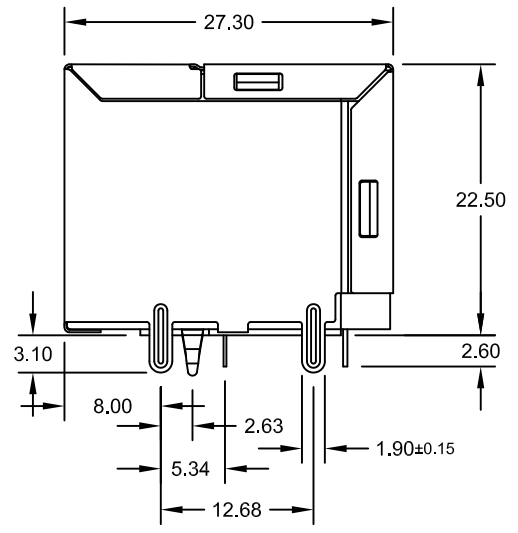
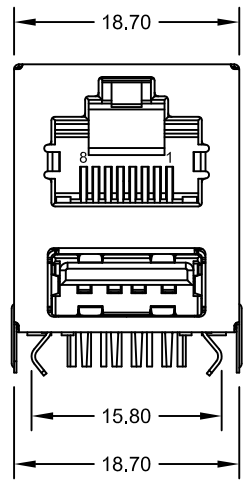


REV.	DESCRIPTION	DATE	DRAWN
A	New	13.10.2016	Cherry



Recommended PCB Hole Layout Top View
(Tolerance ±0.05)



Specifications

Electrical

Current rating: 1.5A
 Insulation resistance: 500MΩ min.
 Contact resistance: 50mΩ max.
 Withstanding voltage: 1000V AC / Minute

Material

RJ Contact: Copper Alloy t=0.35mm
 Plating: Sn/Au (see P/N box) over Ni
 USB Contact: Copper Alloy t=0.25mm
 Plating: Sn/Au flash if 1.1; Au 30μ" if 2.0 Type
 entire contact Ni underplated
 Shield: SUS; Ni plated
 Insulator: PBT (black) UL 94V-0

Operating temperature: -40°C to +85°C

Cavity comply with FCC Rules and Regulations
 Part 68, Subpart F

PART NUMBER if with USB 1.1	PART NUMBER if with USB 2.0	GOLD PLATING CONTACT AREA
MJS-2U88-S0L0-95/HCS	MJS-2U288-S0L0-95/HCS	flash
MJS-2U88-S0L0-96/HCS	MJS-2U288-S0L0-96/HCS	6μ"
MJS-2U88-S0L0-97/HCS	MJS-2U288-S0L0-97/HCS	15μ"
MJS-2U88-S0L0-98/HCS	MJS-2U288-S0L0-98/HCS	30μ"
MJS-2U88-S0L0-9H/HCS	MJS-2U288-S0L0-9H/HCS	50μ"

E-tec 2016 © - all rights reserved



UNIT mm	GENERAL TOLERANCE		DRAWN Cherry	DATE 13.10.2016	DWG. NO. 4331501	SHEET 1/1
	X.° ±	X. ±	CHECK Ronny	DATE 13.10.2016	REV. A	
SCALE Free	.XX° ±	.XX ± 0.25	APPROVE Hogi	DATE 13.10.2016	SERIES NO. MJS-2Ux88-S0L0-9x/HCS	
	.XXX° ±	.XXX ±				

RJ45/USB Combo Type
 1xRJ45 <8P8C> "Tab Up"
 fully shielded
 1x USB "A" 1.1 or 2.0