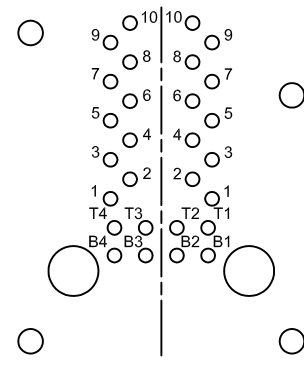
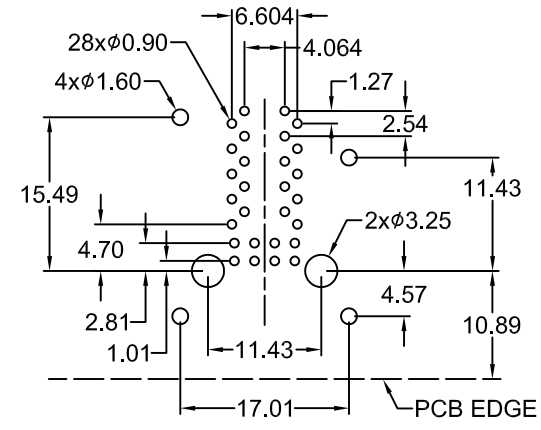
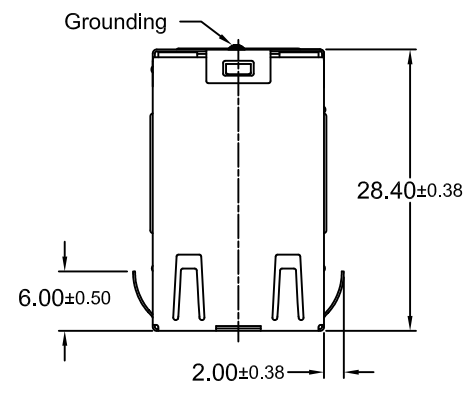
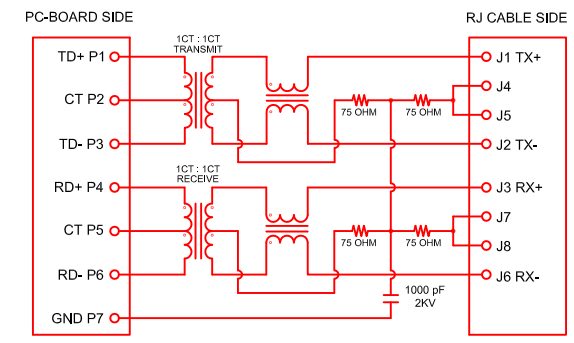


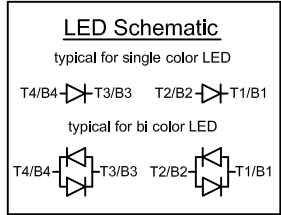
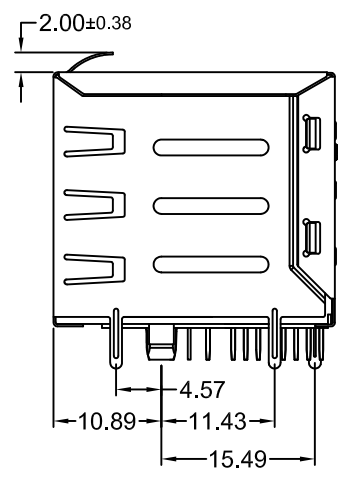
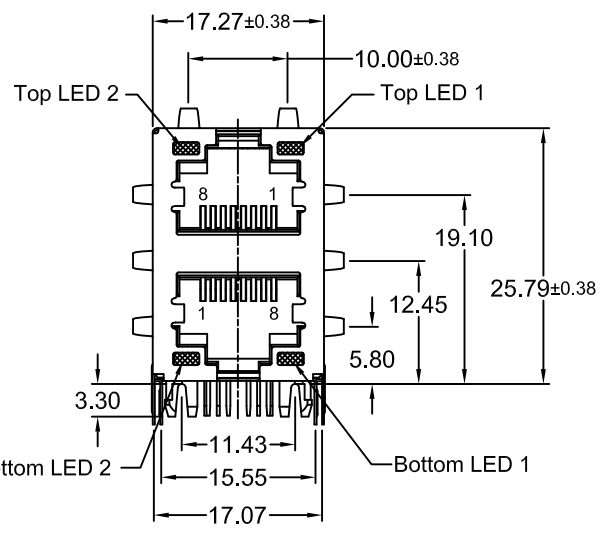
REV.	DESCRIPTION	DATE	DRAWN
A	NEW	19.12.2012	Ronny
B	correct LED schematic	30.09.2013	Ronny
C	PN: -2T08- → -2T88- DWG-No. 3342601 → 3342501	20.12.2016	Ronny



Schematic: "B" Type



Recommended PCB Hole Layout (Top View)



ELECTRICAL CHARACTERISTICS

- Test Notes: (25°C ±5°C)
- TR: (100KHz 0.1V):
Pins: (P1-P3):(J1-J2)=1:1±3%
Pins: (P4-P6):(J3,J6)=1:1±3%
 - LX: (100KHz 100mV 8mA DC Bias)
Pins: (P1-P3),(P4,P6)=350µH min.
 - DCR:
Pins: (J1-J2),(J3-J6)=1.2Ω max.
 - HIPOT:
Pins: (P1,P3)to(J1,J2)=1500V AC for 60 sec.or 2250V DC 60 sec.
Pins: (P4,P6)to(J3,J6)=1500V AC for 60 sec.or 2250V DC 60 sec.

SPECIFICATION

MATERIALS

Insulator: P.B.T. (black) UL 94V-0
Contact: Phosphor Bronze t=0.35mm plated with Tin in solder, and Gold in contact area
Shield: Stainless Steel

Temperature Range: -40°C to +85°C

PART NUMBER	GOLD PLATING
MJS-2T88-C0LB-95AxCA	3µ"
MJS-2T88-C0LB-96AxCA	6µ"
MJS-2T88-C0LB-97AxCA	15µ"
MJS-2T88-C0LB-98AxCA	30µ"
MJS-2T88-C0LB-9HAxCA	50µ"

LED Color Options	
LED 2	LED 1
1	YELLOW GREEN
2	NO LED GREEN
3	GREEN NO LED
4	GREEN YELLOW
5	GREEN GREEN
6	YELLOW YELLOW
7	ORANGE/GREEN ORANGE/GREEN
8	YELLOW/GREEN YELLOW/GREEN
9	RED NO LED
A	GREEN/YELLOW GREEN/YELLOW
B	RED/GREEN RED/GREEN
C	RED/GREEN GREEN/YELLOW
D	GREEN GREEN/YELLOW
E	YELLOW GREEN/YELLOW



UNIT	SCALE	GENERAL TOLERANCE	DRAWN	DATE	DWG. NO.	SHEET 1/1
mm	Free	X.° ± X. ±	Ronny	19.12.2012	3342501	REV. C
		.X° ± .XX ± 0.15	Ronny	20.12.2016	SERIES NO.	
		.XXX° ± .XXX ± 0.075	Hogi	20.12.2016	MJS-2T88-C0LB-9xAxCA	

RJ45 Over top Dual Port <8P/8C>
side entry, long profile Type with LED
fully shielded, with Gnd. Latches around
"B" Type 10/100/ Mbps, 4 core TX Filtered