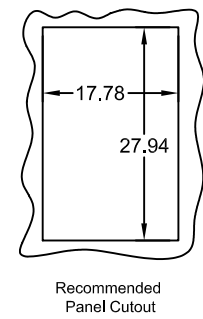
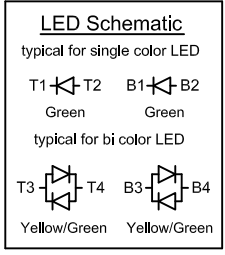
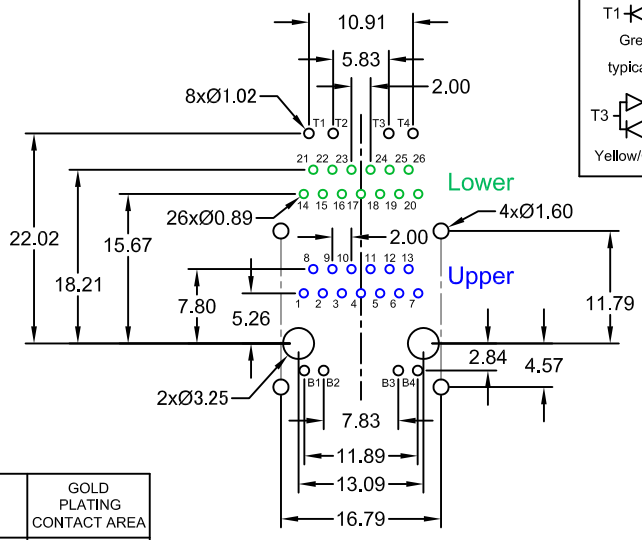
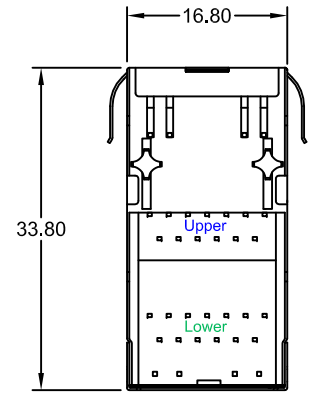
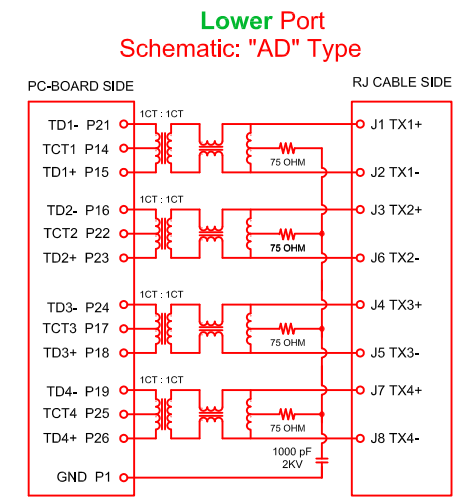
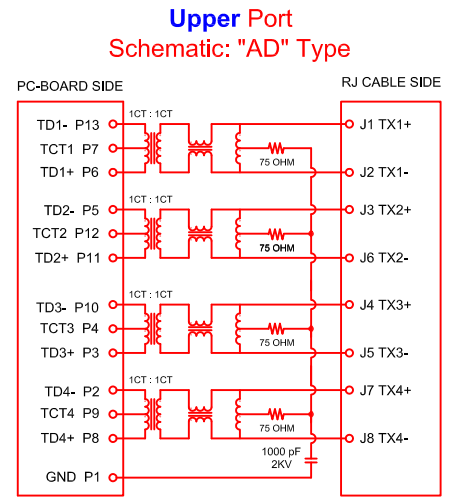
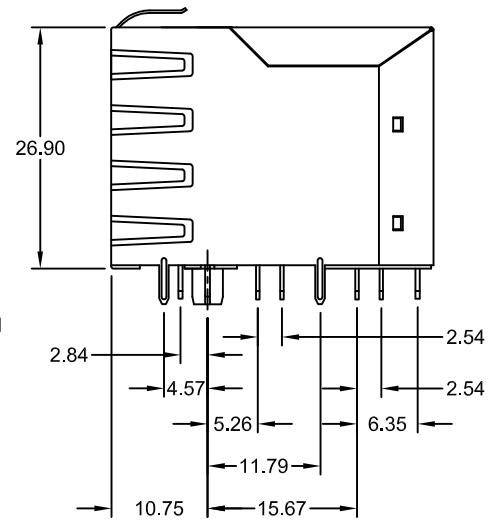
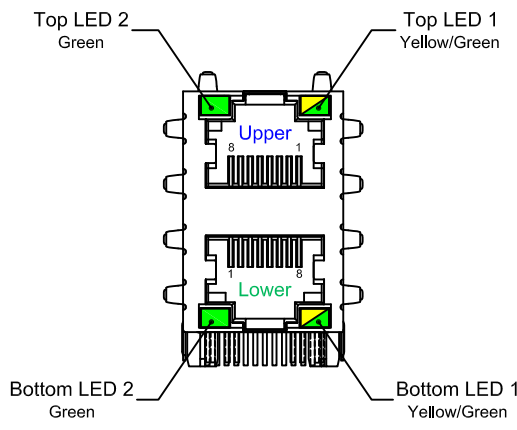


REV.	DESCRIPTION	DATE	DRAWN
A	New	23.02.2016	Cherry



- ### Electrical Characteristics
- Test Notes: (25°C ±5°C)
- TR: (100KHz 0.1V):
Input to output pin=1:1±2%
 - LX: (100KHz 100mV 8mA DC Bias)
350µH min.
 - DCR:
Every RJ Pair=1.2Ω max.
 - HIPOT:
Input to output pin=1500V AC for 60 Sec.
 - INSERTION LOSS:
-1.1dB max. @ 0.1MHz to 100MHz
 - RETURN LOSS :
-18dB min. @ 1MHz to 30MHz
-16dB min. @ 30MHz to 60MHz
-14dB min. @ 60MHz to 80MHz
-12dB min. @ 80MHz to 100MHz
 - CROSS TALK:
-35dB min. @ 1MHz to 60MHz
-25dB min. @ 60MHz to 100MHz
 - COMMON TO COMMON MODE REJECTION:
-25dB min. @ 0.1MHz to 100MHz

Specifications

Material
Contact: Copper Alloy; Au plated
Shield: Copper Alloy; Ni plated
Insulator: LCP (black) UL 94V-0

Operating temperature: 0°C to +70°C

Operating life: 750 cycles min.

Cavity comply with FCC Rules and Regulations Part 68, Subpart F

PART NUMBER	GOLD PLATING CONTACT AREA
MJS-2T813-CLLAD-56/FQCA	6µ"

E-tec 2016 © - all rights reserved



UNIT	mm	GENERAL TOLERANCE		DRAWN	Cherry	DATE	23.02.2016	DWG. NO.	3342500	SHEET 1/1
SCALE	Free	X° ±	X. ±	CHECK	Ronny	DATE	24.02.2016	SERIES NO.	MJS-2T813-CLLAD-xx/FQCA	REV. A
		.XX° ±	.XX ± 0.20	APPROVE	Hogi	DATE	24.02.2016			
		.XXX° ±	.XXX ±							

RJ45 Over top Dual Port <8P/13C>
side entry, long profile Type with LED
fully shielded, with gnd. Latches around
"AD" Type 10/100/1000 Mbps, 8 core TX Filtered