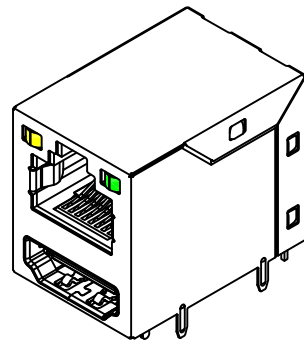
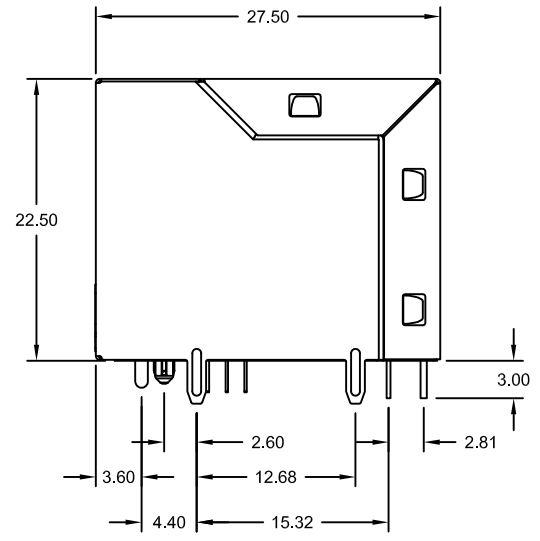
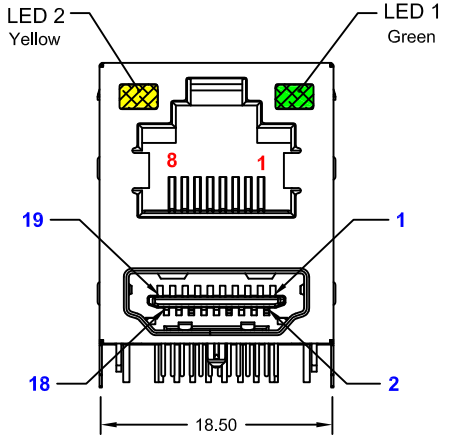


REV.	DESCRIPTION	DATE	DRAWN
A	New	24.02.2016	Cherry



**Specifications**

**RJ45 Electrical**  
 Current rating: 1.5A  
 Insulation resistance: 500MΩ min. @500V DC  
 Contact resistance: 30mΩ max.  
 Voltage rating: 125V AC max.  
 Withstanding voltage: 1000V AC rms 50Hz / Minute

**RJ45 Material**  
 Contact: Phosphor Bronze Ø0.45mm  
 Plating: Au over Ni  
 Insulator: PBT (black) UL 94V-0

Cavity comply with FCC Rules and Regulations Part 68, Subpart F

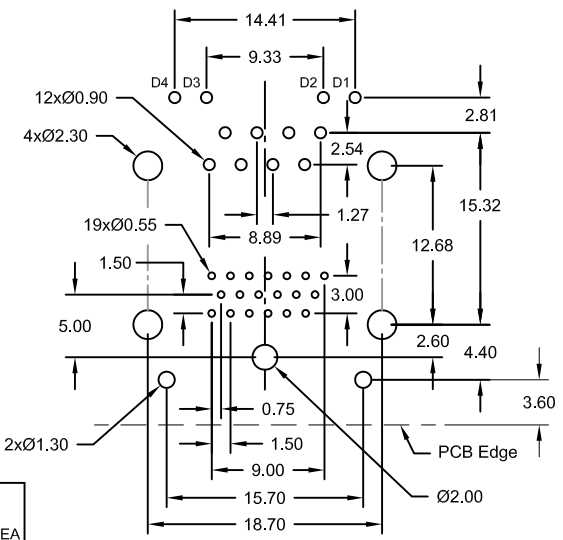
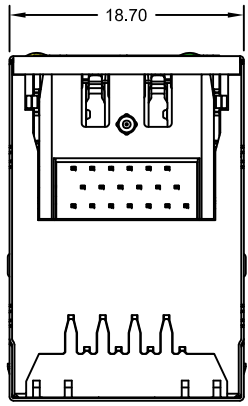
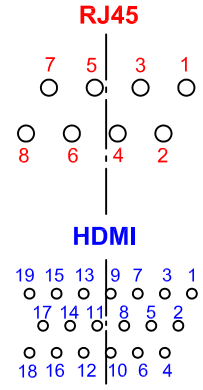
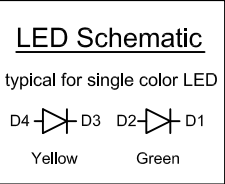
**HDMI Electrical**  
 Current rating: 0.5A  
 Insulation resistance: a) mated 100MΩ min. @500V DC  
 b) unmated 10MΩ min. @150V DC  
 Contact resistance: 30mΩ max.  
 Voltage rating: 300V AC rms  
 Withstanding voltage: 300V AC rms for 1 Minute

**HDMI Material**  
 Contact: Copper Alloy t=0.20mm  
 Plating: Sn/30μ" Au; Ni underplated  
 Insulator: LCP (black) UL 94V-0

Outer Shield: Brass t=0.20~0.25mm  
 Plating: Ni

Temperature range: -20°C to +85°C

**Mechanical Requirements**  
 Operating life: 700 cycles min.



Recommended PCB Layout (Top View)

PART NUMBER	GOLD PLATING CONTACT AREA
MJS-2H88-LKL0-55/L1CS	3μ"

E-tec 2016 © - all rights reserved



UNIT mm	GENERAL TOLERANCE		DRAWN Cherry	DATE 24.02.2016	DWG. NO. 5341500	SHEET 1/1			
	SCALE Free	X.° ±					X. ±	CHECK Ronny	DATE 29.02.2016
		.XX° ±					.XX ± 0.25		
		.XXX° ±					.XXX ±		
		SERIES NO. MJS-2H88-LKL0-xx/L1CS							

**RJ45 / HDMI COMBO TYPE**  
**1x RJ45 <8P8C> with LED "TAB UP"**  
**1x HDMI Connector**  
 side entry - Long profile Type fully shielded