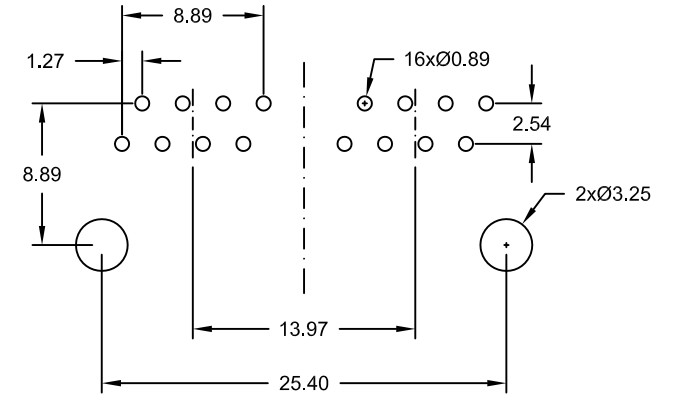
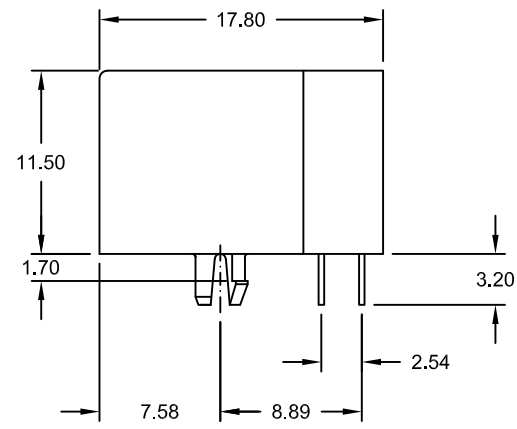
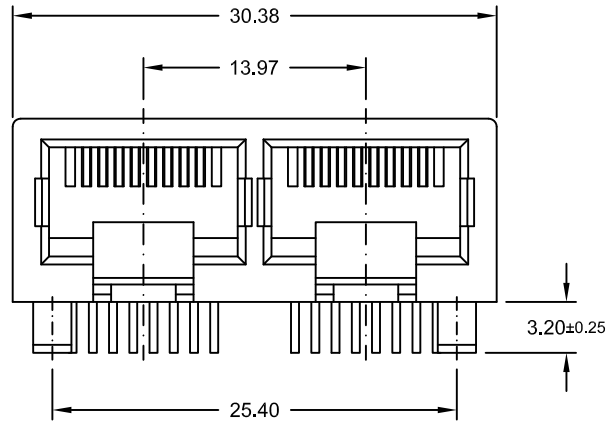
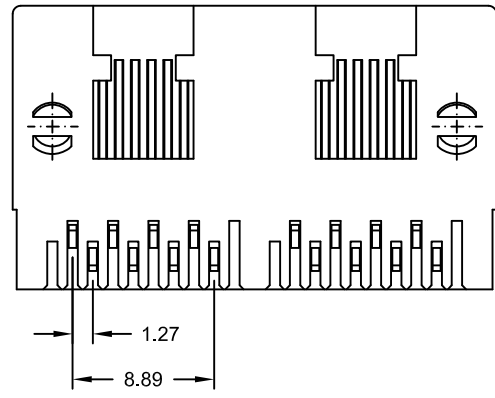


REV.	LOCAS.	DESCRIPTION	DATE	DRAWN
A		NEW	07.06.2010	Ryan Chou
B		New DWG. No.	01.02.2012	Ronny



Recommended PCB Layout
Top View
(Tolerance ±0.05)



PART NUMBER	GOLD PLATING CONTACT AREA
MJS-208-S1S1-96	6μ"
MJS-208-S1S1-97	15μ"
MJS-208-S1S1-98	30μ"
MJS-208-S1S1-9H	50μ"

Specifications

Current rating: 1.5A
 Insulation resistance: 500MΩ min. / 500V DC
 Withstanding voltage: 1000V AC rms 60Hz / Minute
 Contact resistance: 40mΩ max. / 20mV DC
 Operating temperature: -40°C to +105°C

Materials

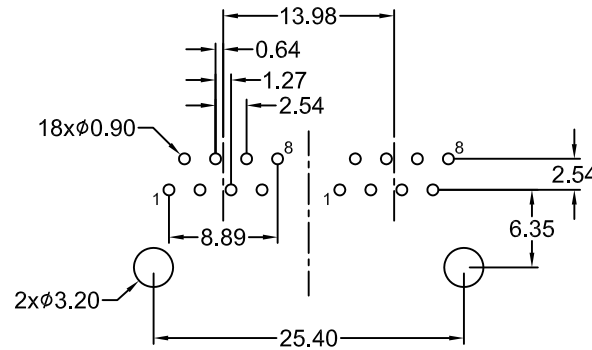
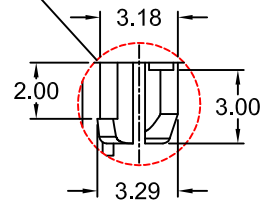
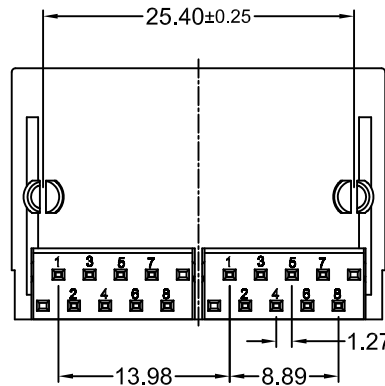
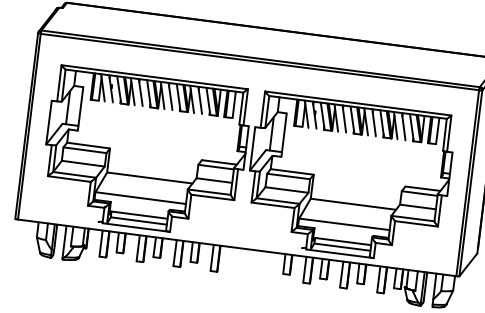
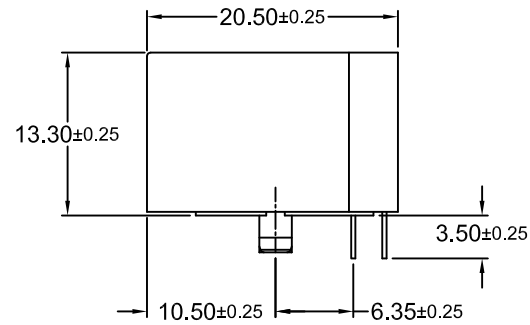
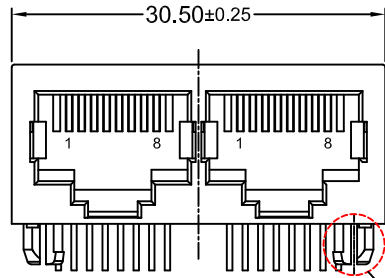
Contact: Phosphor Bronze
 Plating: Au on contact, Sn on solder area
 Insulator: PBT UL 94V-0 (Black)
 Shield: Brass
 Plating: Nickel



UNIT	SCALE	GENERAL TOLERANCE	DRAWN	DATE	DWG. NO.	SHEET 1/1
mm	Free	X.° ± 3° .X° ± .XX° ± .XXX° ±	Ryan Chou	07.06.2010	2311600	REV. B
		X. ± .X ± 0.38 .XX ± 0.25 .XXX ±	Ronny	01.02.2012	SERIES NO.	
			Hogi	01.02.2012	MJS-208-S1S1-xx	

Multi Port "side by side" RJ 50 PCB JACK
2 x <10P8C> "TAB DOWN"
 SIDE ENTRY-SHORT PROFILE TYPE
 NON SHIELDED

REV.	DESCRIPTION	DATE	DRAWN
A	NEW	17.04.2013	Ryan Chou



Recommended PCB Hole Layout
(Top View)



PART NUMBER	GOLD PLATING CONTACT AREA
MJS-208-D0L0-95	3μ"
MJS-208-D0L0-96	6μ"
MJS-208-D0L0-97	15μ"
MJS-208-D0L0-98	30μ"
MJS-208-D0L0-9H	50μ"

Specifications

Current rating: 1.5A
 Insulation resistance: 500MΩ min.
 Withstanding voltage: 1000V rms 60Hz / Minute
 Contact resistance: 50mΩ max.
 Operating temperature: -40°C to +105°C

Materials

Contact: Phosphor Bronze (t=0.35mm)
 Plating: Sn in solder area; Au in contact area
 Insulator: P.B.T. UL 94V-0 (Black)

Cavity conforms to FCC Rules and Registration PAR68,
 Subparts F



UNIT mm SCALE Free 	GENERAL TOLERANCE		DRAWN Ryan Chou	DATE 17.04.2013	DWG. NO. 2311603	SHEET 1/1
	X.° ±	.X° ±	CHECK Ronny	DATE 17.04.2013	Series NO. MJS-208-D0L0-9x	REV. A
	XX. ±	.XX ± 0.15	APPROVE Hogi	DATE 17.04.2013		
	XXX. ±	.XXX ± 0.075				

2 Port Side Entry RJ 50 2x<10P8C>
THT side entry "TAB DOWN"
 Long profile Type non shielded