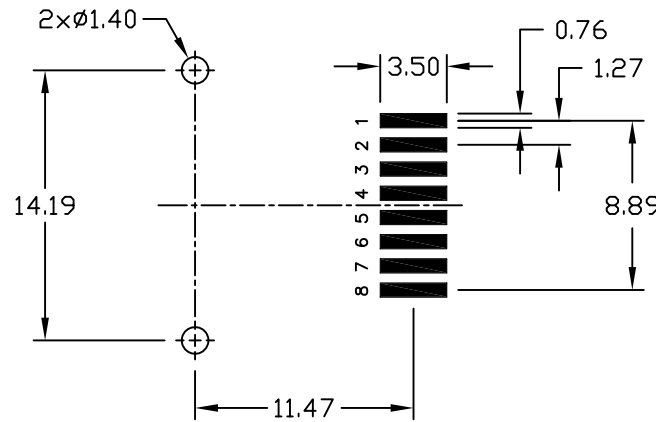
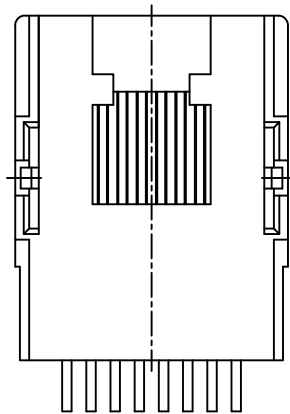
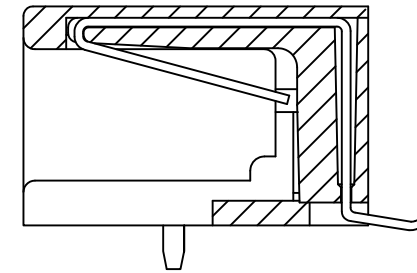
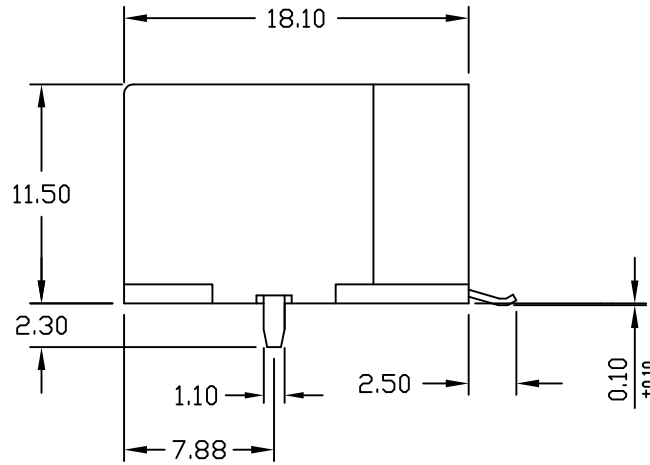
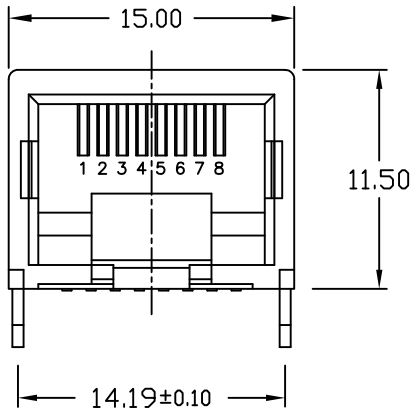


REV.	LOCAS.	DESCRIPTION	DATE	DRAWN
A		NEW	21.05.2000	KATHY
B		PN: -T153-9x/2P => T1S0-9x/P	03.03.2009	RONNY
C		New DWG. No.	01.02.2012	RONNY



PCB LAYOUT TOP VIEW



**NOTE**

- Material:  
Housing: Nylon UL 94V-0  
Contact: Phosphor Bronze  
Contact plating: Sn over Ni on solder area  
Au over Ni on contact area
- Electrical:  
Current rating: 1.5A max. @ 25°C  
Voltage rating: 150V AC max.  
Contact resistance: 15mΩ max.  
Dielectric withstanding Voltage:  
1000V rms 1 Minute 60Hz  
Insulation resistance: 500MΩ min.
- Environmental:  
Operating temperature: -20°C to +85°C  
Processing temperature: 250°C +/-5°C  
for 10 seconds

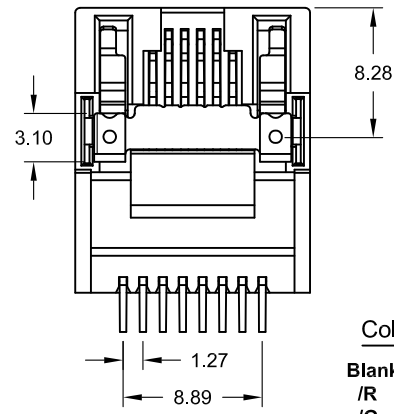
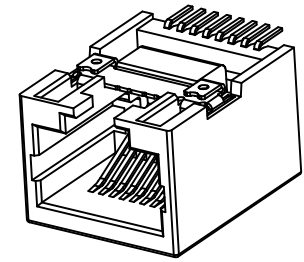
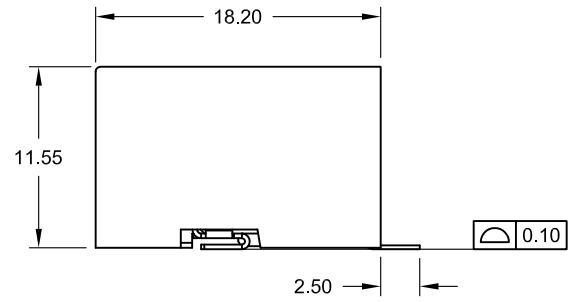
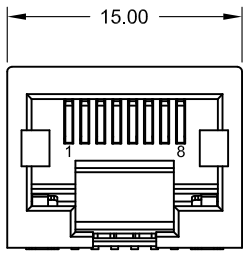
PART NUMBER	GOLD PLATING CONTACT AREA
MJS-188-T1S0-96/P	6μ"
MJS-188-T1S0-97/P	15μ"
MJS-188-T1S0-98/P	30μ"
MJS-188-T1S0-9H/P	50μ"



UNIT	mm	GENERAL TOLERANCE		DRAWN	Kathy	DATE	21.05.2000	DWG. NO.	1711501	SHEET 1/1
SCALE	Free	X.° ± 5°	X. ± 0.30	CHECK	Ronny	DATE	01.02.2012	SERIES NO.	MJS-1xx-T1S0-9x	REV. C
		.XX° ± 3°	.XX ± 0.25	APPROVE	HOGI	DATE	01.02.2012			
		.XXX° ± 2°	.XX ± 0.15							
		.XXX° ± 1°	.XXX ± 0.10							

**SMT PCB JACK SIDE ENTRY**  
**RJ45 <8P8C> unshielded**  
**with straight solder tabs**

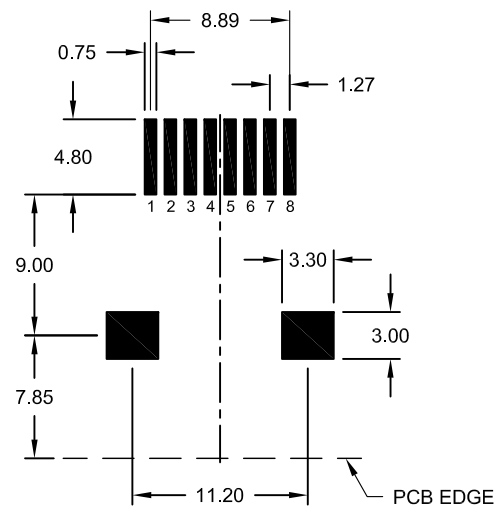
REV.	DESCRIPTION	DATE	DRAWN
A	New	10.02.2009	Ronny
B	add packing option	21.07.2010	Ronny
C	New DWG. No.	01.02.2012	Ronny
D	update Specifications&add color option	16.11.2016	Cherry



**Color & Packing option**

- Blank = black & Tray Packing
- /R = black & Reel Packing
- /G = gray & Tray Packing
- /GR = gray & Reel Packing
- /Y = yellow & Tray Packing
- /YR = yellow & Reel Packing

PART NUMBER	GOLD PLATING CONTACT AREA
MJS-188-U0M0-95 /XX	flash
MJS-188-U0M0-96 /XX	6μ"
MJS-188-U0M0-97 /XX	15μ"
MJS-188-U0M0-98 /XX	30μ"
MJS-188-U0M0-9H /XX	50μ"



Recommended PCB Layout Top View  
(Tolerance ±0.05)



**Specifications**

**Electrical**

- Current rating: 1.5A
- Insulation resistance: 500MΩ min.
- Contact resistance: 50mΩ max.
- Withstanding voltage: 1000V AC / Minute

**Materials**

- Contact: Copper Alloy t=0.35mm
- Plating: Sn on solder area, Au on contact area; entire contact Ni underplated
- Solder Tab: Copper Alloy, Nickel plated
- Insulator: LCP (Black, gray or yellow) UL 94V-0

Operating temperature: -40°C to +85°C  
Processing temperature: 250°C +0/-5°C for 10 seconds

Cavity comply with FCC Rules and Regulations Part 68, Subpart F

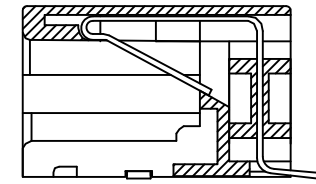
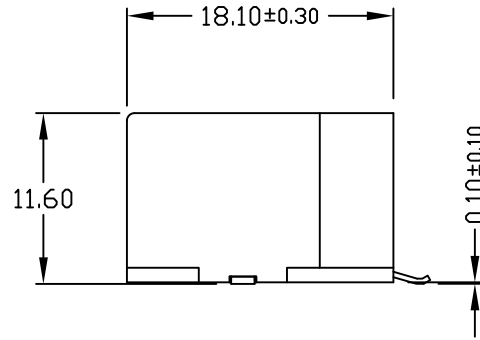
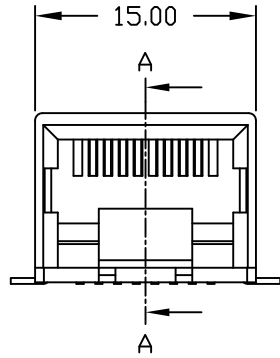
E-tec 2016 © - all rights reserved



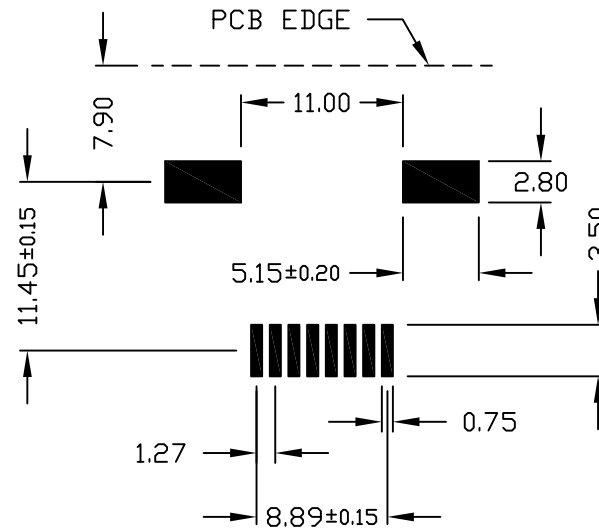
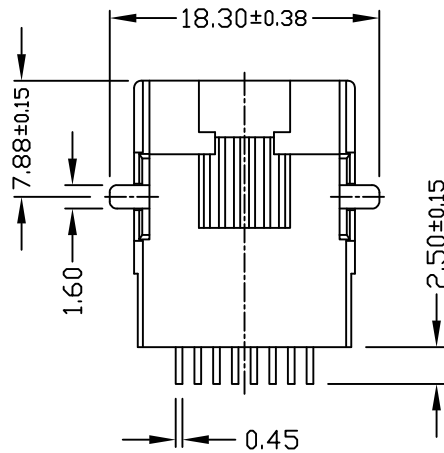
UNIT	GENERAL TOLERANCE		DRAWN	DATE	DWG. NO.	SHEET 1/1
mm	X.° ±	X. ±	Ronny	10.02.2009	1711502	REV. D
SCALE Free	.X° ±	.X ±	CHECK Ronny	16.11.2016	SERIES NO.	
	.XX° ±	.XX ± 0.25	APPROVE Hogi	16.11.2016	MJS-188-U0M0-9x/X	
	.XXX° ±	.XXX ±				

**Side Entry SMT PCB Jack**  
RJ45 <8P8C> non shielded  
solder tabs underneath housing

REV.	LOCAS.	DESCRIPTION	DATE	DRAWN
A		NEW	11.02.2009	Ronny
B		New DWG. No.	01.02.2012	Ronny



A-A



RECOMMENDED PCB LAYOUT  
TOP VIEW



NOTE :

- MATERIAL: HOUSING-NYLON UL94V-0  
STANDARD COLOR-BLACK  
CONTACT-PHOSPHOR BRONZE t=0.35mm  
GOLD OVER Ni IN CONTACT AREA  
TIN OVER Ni IN SOLDER AREA
- ENVIRONMENTAL:  
STORAGE TEMPERATURE: -40°C TO +85°C  
OPERATING TEMPERATURE: 0°C TO +70°C  
PROCESSING TEMPERATURE:  
+260°C +0/-5°C FOR 5 SEC. max.  
OPERATING LIFE: 750 CYCLES min.
- ELECTRICAL:  
CURRENT RATING: 1,5A max. (@25°C)  
VOLTAGE RATING: 125V AC RMS  
CONTACT RESISTANCE: 50MΩ max.  
DIELECTRIC WITHSTANDING VOLTAGE:  
500V AC RMS 1 MINUTE (60Hz)  
INSULATION RESISTANCE: 500MΩ min.
- CAVITY CONFIRMS TO FCC RULES AND  
REGISTRATION PAR68, SUBPARTS F.

PART NUMBER	GOLD PLATING
MJS-188-W1M0-96	6μ"
MJS-188-W1M0-97	15μ"
MJS-188-W1M0-98	30μ"
MJS-188-W1M0-9H	50μ"



UNIT	mm
SCALE	Free

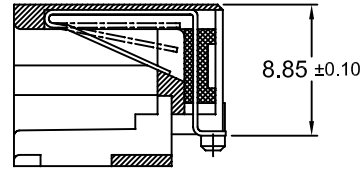
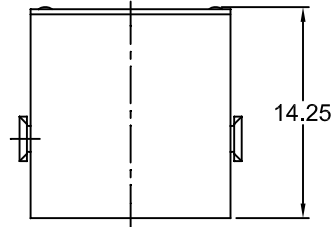
GENERAL TOLERANCE	
X.° ±	X. ±
.X° ±	.X ± 0.38
.XX° ±	.XX ± 0.25
.XXX° ±	.XXX ± 0.10

DRAWN	RONNY	DATE	11.02.2009
CHECK	RONNY	DATE	01.02.2012
APPROVE	HOGI	DATE	01.02.2012

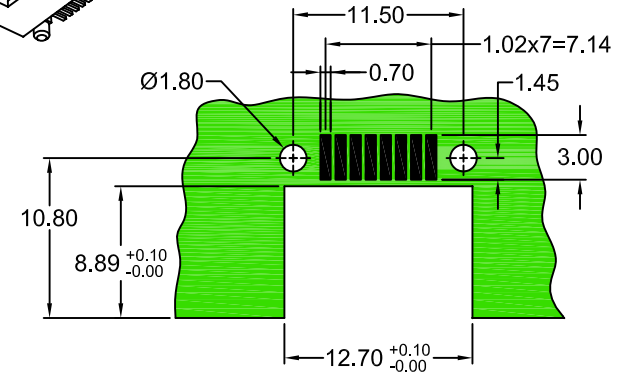
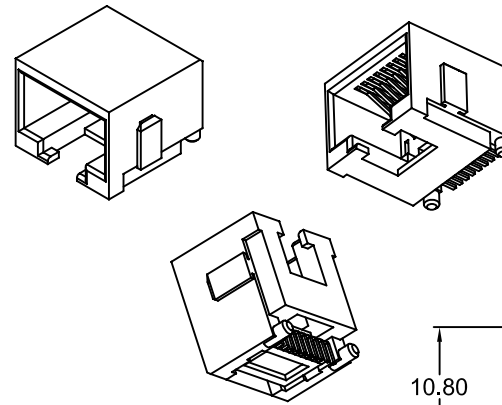
DWG. NO.	1711503	SHEET 1/1
SERIES NO.	MJS-188-W1M0-xx	REV. B

**Side entry SMT PCB JACK**  
RJ45 <8P/8C> NON shielded  
with wing solder tabs

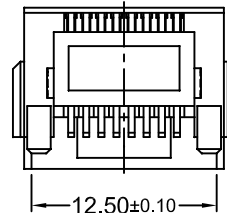
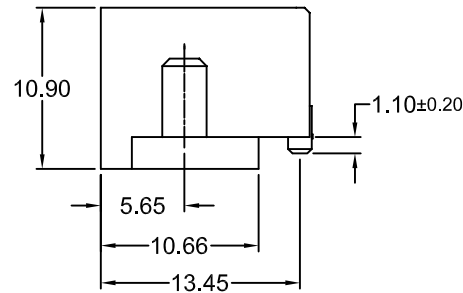
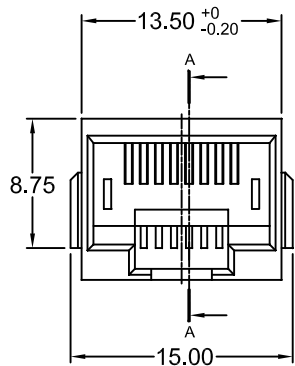
REV.	DESCRIPTION	DRAWN	DATE
A	Release	Lyndon Lin	26.11.2010
B	New DWG. No.	Ronny	01.02.2012



SECTION A-A

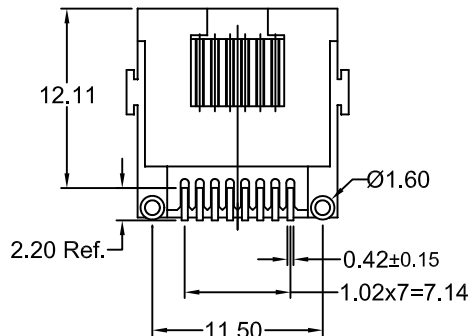


Recommended PCB SMT & Hole Layout  
Top View  
(PCB TOLERANCE ±0.05)



NOTE :

- MATERIAL: HOUSING-NYLON UL94V-0  
STANDARD COLOR-BLACK  
CONTACT-PHOSPHOR BRONZE  
GOLD OVER Ni IN CONTACT AREA  
TIN OVER Ni IN SOLDER AREA
- ENVIRONMENTAL:  
STORAGE TEMPERATURE: -40°C TO +85°C  
OPERATING TEMPERATURE: 0°C TO +70°C  
PROCESSING TEMPERATURE:  
+250°C +0/-5°C FOR 10 SEC. max.  
OPERATING LIFE: 750 CYCLES min.
- ELECTRICAL:  
RATING: 1.5A max. (@25°C)  
VOLTAGE RATING: 125V AC RMS  
CONTACT RESISTANCE: 50MΩ max.  
DIELECTRIC WITHSTANDING VOLTAGE:  
500V AC RMS 1 MINUTE (60Hz)  
INSULATION RESISTANCE: 500MΩ min.
- CAVITY CONFIRMS TO FCC RULES AND  
REGISTRATION PAR68, SUBPARTS F.
- STANDARD PACKING : TRAY PACKING  
REEL PACKING ON REQUEST



add /R if Reel packing  
is requested

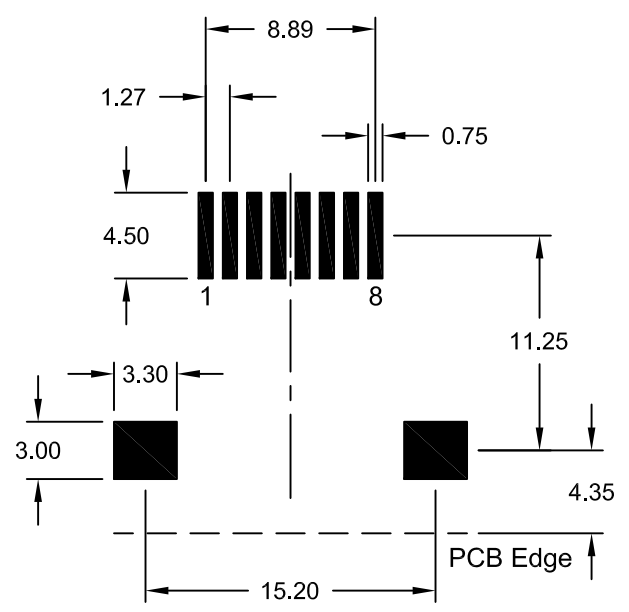
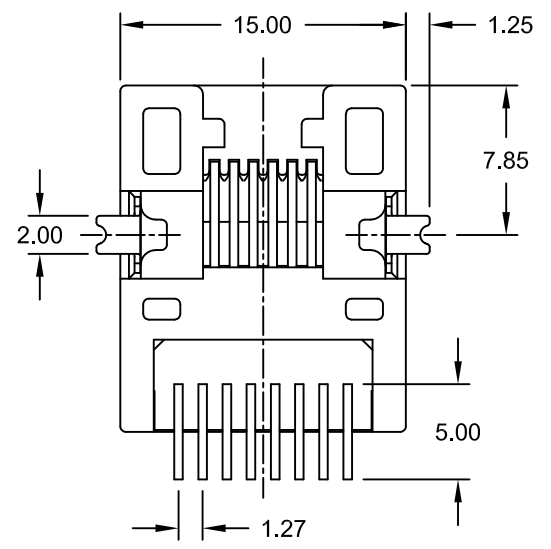
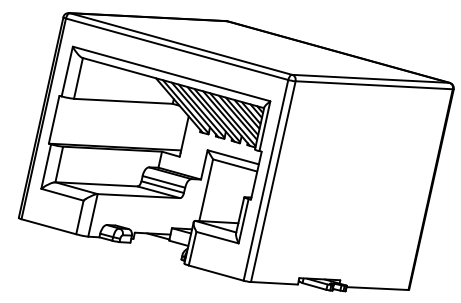
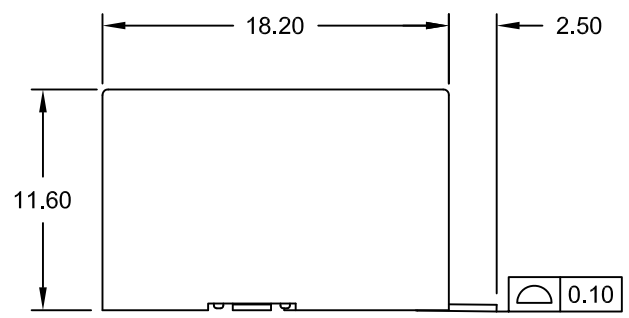
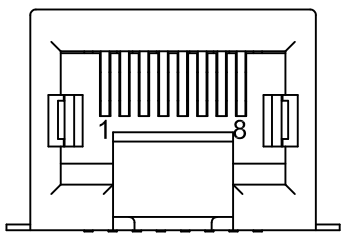
PART NUMBER	GOLD PLATING CONTACT AREA
MJS-188-E1S0-96/X	6μ"
MJS-188-E1S0-97/X	15μ"
MJS-188-E1S0-98/X	30μ"
MJS-188-E1S0-9H/X	50μ"



UNIT	GENERAL TOLERANCE	DRAWN	DATE	DWG. NO.	SHEET 1/1
mm	X.° ± 3° .X° ±	Lyndon Lin	26.11.2010	1711504	
SCALE	X. ± .X0 ± 0.38	CHECK	DATE	Series NO.	REV. B
Free	XX. ± .XX ± 0.25	Ronny	01.02.2012	MJS-188-E1S0-xx/X	
	XXX. ± .XXX ±	APPROVE	DATE		
		Hogi	01.02.2012		

SMT PCB JACK SIDE ENTRY  
RJ45 <8P8C> non shielded  
Embedded -SMT- Type

REV.	DESCRIPTION	DATE	DRAWN
A	NEW	02.04.2014	Ryan



### Specifications

#### Electrical

Current rating: 1.5A max. (@25°C)  
 Insulation resistance: 500MΩ min. @500V DC  
 Voltage rating: 125V AC rms  
 Withstanding voltage: 1000V AC rms / 1 Minute (60Hz)  
 Contact resistance: 50mΩ max.

#### Material

Contact: Phosphor Bronze t=0.35mm  
 Plating: Sn over Ni in solder area  
 Au over Ni in contact area  
 Housing: High-Temp Thermoplast UL 94V-0 (Black)

Storage temperature: -40°C to +85°C  
 Operating temperature: -0°C to +70°C  
 Processing temperature: +250°C +0/-5°C for 10 seconds

Cavity conforms to FCC Rules and Registration PAR68  
 Subparts F

#### Packing

Tray Standard; Reel Option

PART NUMBER	GOLD PLATING CONTACT AREA
MJS-188-WD0M0-96/R	6μ"
MJS-188-WD0M0-97/R	15μ"
MJS-188-WD0M0-98/R	30μ"
MJS-188-WD0M0-9H/R	50μ"

/R if reel packing

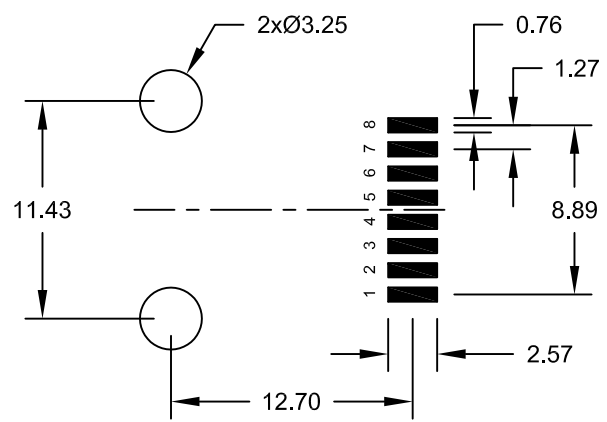
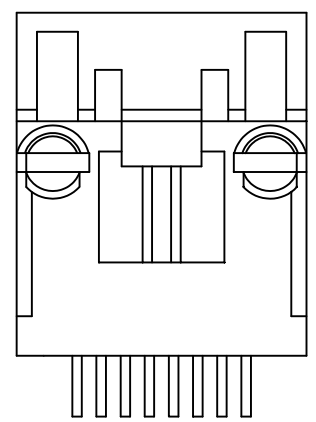
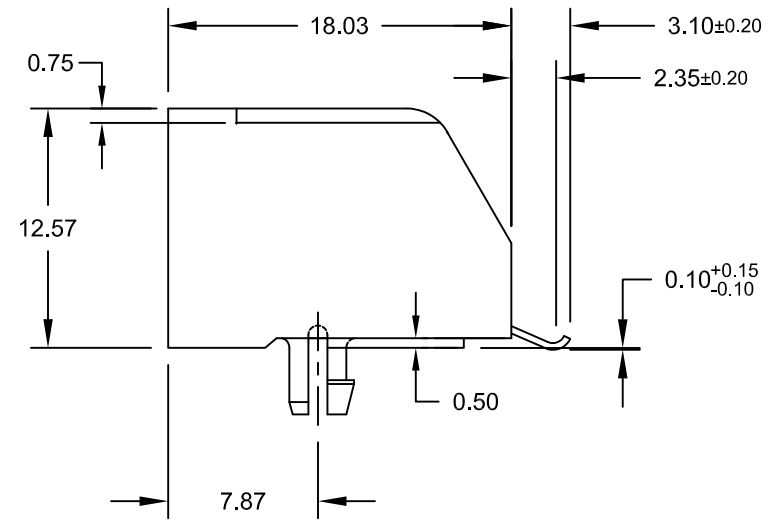
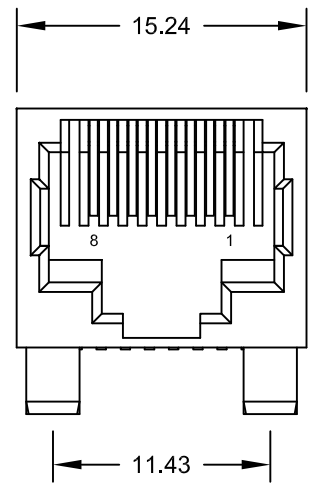
Recommended PCB Layout  
(Top View)



UNIT	mm	GENERAL TOLERANCE		DRAWN	DATE	DWG. NO.	SHEET 1/1
SCALE	Free	X.° ±	X. ±	Ryan	02.04.2014	1711508	REV. A
		.X° ±	.X ± 0.38	RONNY	02.04.2014	SERIES NO.	
		.XX° ±	.XX ± 0.25	HOGI	02.04.2014	MJS-188-WD0M0-9x/X	
		ANG. ± 3°	.XXX ± 0.10				

**SMT PCB JACK SIDE ENTRY**  
 RJ45 <8P8C> NON shielded  
 tab down - with wing solder tabs

REV.	DESCRIPTION	DATE	DRAWN
A	New	18.02.2016	Ronny



**Specifications**

**Electrical**

Current rating: 1A  
 Insulation resistance: 500MΩ min.  
 Voltage rating: 150V AC max.  
 Withstanding voltage: 1000V AC rms (60Hz / Minute)  
 Contact resistance: 40mΩ max.

**Material**

Contact: Phosphor Bronze  
 Plating: Sn on solder area;  
 Au on contact area  
 Insulator: High Temp. Thermoplastic UL 94V-0 (Black)

Operating temperature: -40°C to +85°C  
 Processing temperature: +250°C +0/-5°C  
 for 10 seconds

Cavity conforms to FCC Rules and  
 Registration PAR 68, Subpart F

PART NUMBER	GOLD PLATING CONTACT AREA
MJS-188-T1S1-96	6μ"
MJS-188-T1S1-97	15μ"
MJS-188-T1S1-98	30μ"
MJS-188-T1S1-9H	50μ"

E-tec 2016 © - all rights reserved



UNIT mm	GENERAL TOLERANCE		DRAWN Ronny	DATE 18.02.2016	DWG. NO. 1711509	SHEET 1/1
	X.° ±	X. ±	CHECK Oliver	DATE 18.02.2016	SERIES NO. MJS-188-T1S1-9x	REV. A
	.X° ±	.X ±	APPROVE Hogi	DATE 18.02.2016		
	.XX° ±	.XX ± 0.25				
SCALE Free						
		.XXX° ±	.XXX ±			

**SMT PCB Jack Side Entry**  
**RJ45 <8P8C> "Tab down"**  
**non shielded**