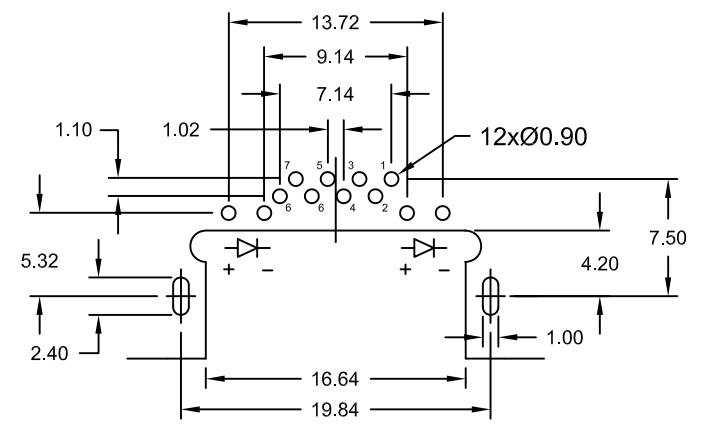
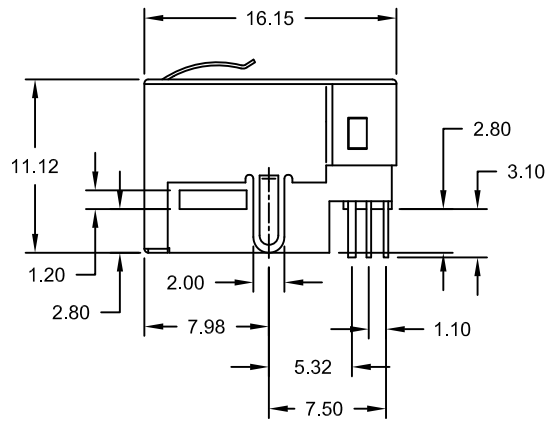
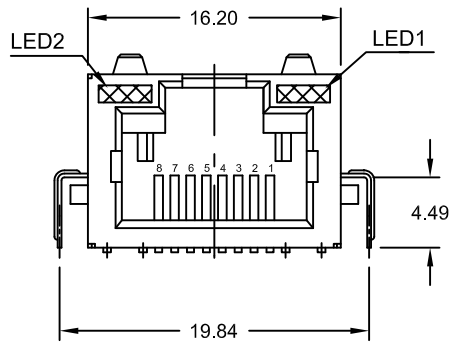


REV.	LOCAS.	DESCRIPTION	DATE	DRAWN
A		NEW	05.01.2012	Ronny
B		New DWG. No.	01.02.2012	Ronny



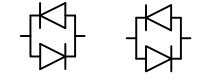
Recommended PCB Layout  
(Top View)

**LED Schematic**

typical for single color LED



typical for bi color LED



**Specifications**

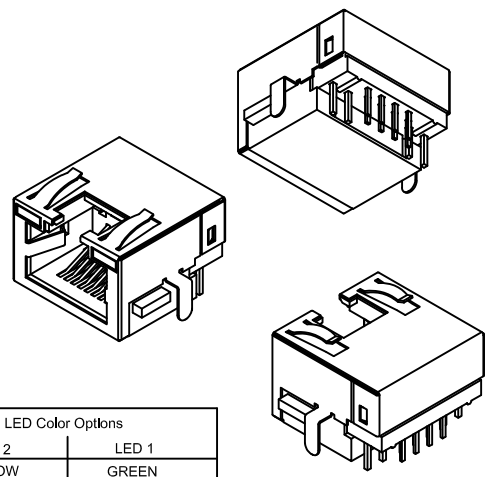
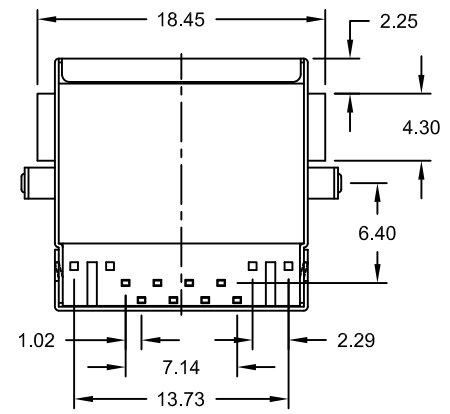
- Current rating: 1,5A
- Insulation resistance: 500MΩ min. / 500V DC
- Withstanding voltage: 1000V rms 60Hz / 1 Minute
- Contact resistance: 40mΩ max. / 20mV DC
- Operating temperature: -40°C to +105°C

**Materials**

- Contact: Phosphor Bronze
- Plating: Sn on solder area; Au on contact area
- Insulator: High Temp Thermoplastic UL 94V-0 (Black)



Cavity confirms to FCC Rules and Registration PAR68, Subparts F



Replace "x" with  
LED Color Options

	LED Color Options	
	LED 2	LED 1
1	YELLOW	GREEN
2	NO LED	GREEN
3	GREEN	NO LED
4	GREEN	YELLOW
5	GREEN	GREEN
6	YELLOW	YELLOW
7	ORANGE/GREEN	ORANGE/GREEN
8	YELLOW/GREEN	YELLOW/GREEN
9	RED	NO LED
A	GREEN/YELLOW	GREEN/YELLOW
B	RED/GREEN	RED/GREEN
C	RED/GREEN	GREEN/YELLOW
D	GREEN	GREEN/YELLOW
E	YELLOW	GREEN/YELLOW

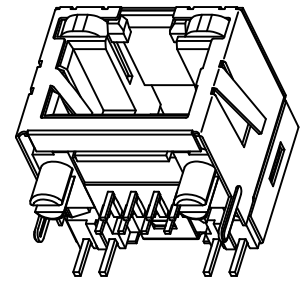
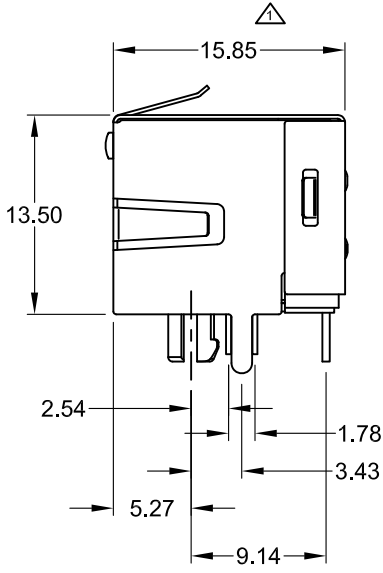
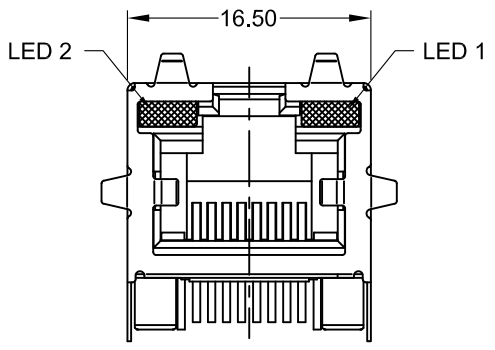
PART NUMBER	GOLD PLATING CONTACT AREA
MJS-188-FL1S0-96/xCS	6μ"
MJS-188-FL1S0-97/xCS	15μ"
MJS-188-FL1S0-98/xCS	30μ"
MJS-188-FL1S0-9H/xCS	50μ"



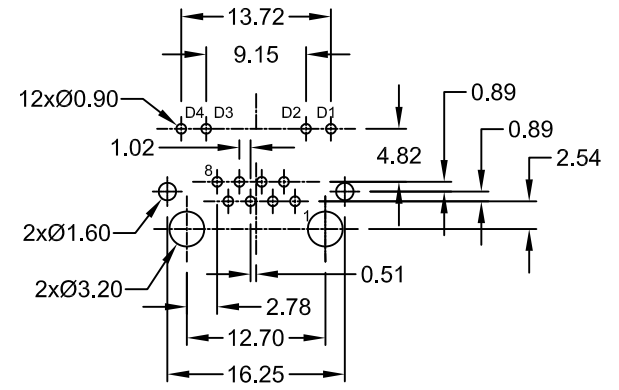
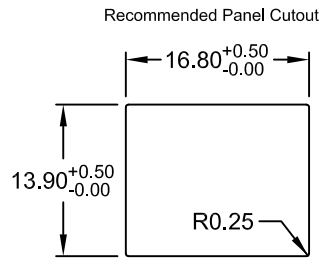
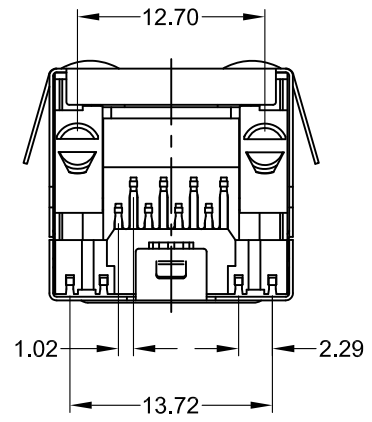
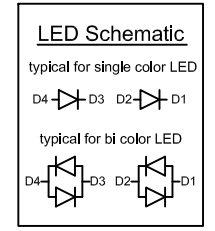
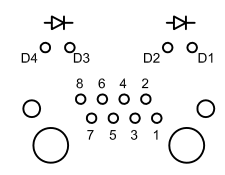
UNIT	GENERAL TOLERANCE		DRAWN	DATE	DWG. NO.	SHEET 1/1
mm	X.° ± 3°	X. ±	Ronny	05.01.2012	1341500	REV. B
SCALE	.X° ±	.X ± 0.25	CHCK	DATE	SERIES NO.	
Free	.XX° ±	.XX ± 0.15	Ronny	01.02.2012	MJS-188-FL1S0-9x/xCS	
	.XXX° ±	.XXX ±	APPROVE	DATE		
			Hogi	01.02.2012		

**RJ45 PCB Jack <8P8C>**  
**Embedded Type**  
side entry short profile  
with LED

REV.	DESCRIPTION	DATE	DRAWN
A	Release	22.03.2010	Ryan Chou
B	Change P/N: /3xCA → /3xCB	28.04.2010	Ryan Chou
C	New DWG. No.	01.02.2012	Ronny
D	15.70 → 15.85 + update	07.05.2013	Ronny



**LED SCHEMATIC**



Recommended PCB Hole Layout  
Top View  
(PCB TOLERANCE ±0.05)

Replace "x" with LED Color Options

	LED Color Options	
	LED 2	LED 1
1	YELLOW	GREEN
2	NO LED	GREEN
3	GREEN	NO LED
4	GREEN	YELLOW
5	GREEN	GREEN
6	YELLOW	YELLOW
7	ORANGE/GREEN	ORANGE/GREEN
8	YELLOW/GREEN	YELLOW/GREEN
9	RED	NO LED
A	GREEN/YELLOW	GREEN/YELLOW
B	RED/GREEN	RED/GREEN
C	RED/GREEN	GREEN/YELLOW
D	GREEN	GREEN/YELLOW
E	YELLOW	GREEN/YELLOW

PART NUMBER	GOLD PLATING CONTACT AREA
MJS-188-L0S0-95/3xCB	3µ"
MJS-188-L0S0-96/3xCB	6µ"
MJS-188-L0S0-97/3xCB	15µ"
MJS-188-L0S0-98/3xCB	30µ"
MJS-188-L0S0-9H/3xCB	50µ"

**SPECIFICATIONS**

**ELECTRICAL:**  
 Current rating: 1.5A  
 Insulation resistance: 500MΩ min./500V DC  
 Withstanding voltage: 1000V rms 60Hz/Minute  
 Contact resistance: 50mΩ max./20mV DC  
 Operating temperature: -40C ~ +105C

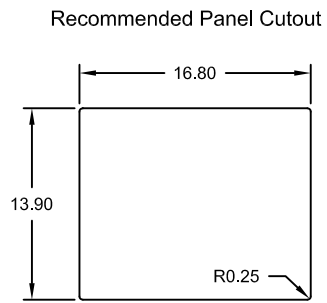
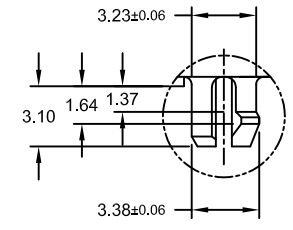
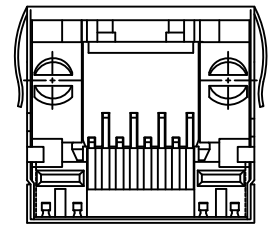
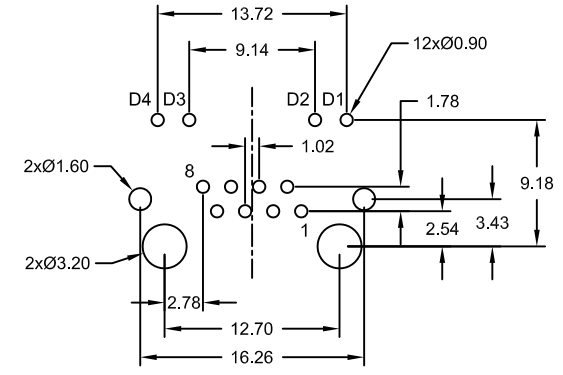
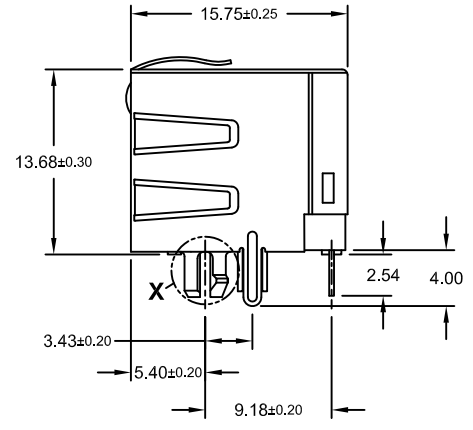
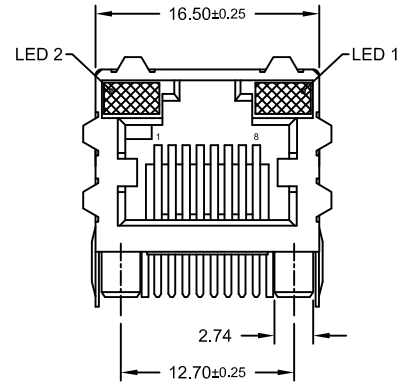
**MATERIAL:**  
 Insulator: PBT UL 94V-0 color: Black  
 Contact: PhBz; Au plated on contact, Sn on solder area  
 Shield: Brass (t=0.35); Nickel plated



UNIT mm	GENERAL TOLERANCE		DRAWN Ryan Chou	DATE 22.03.2010	DWG. NO. 1341501	SHEET 1/1
	X.° ± 3° .X° ±		CHECK Ronny	DATE 01.02.2012	Series NO. MJS-188-L0S0-9x/3xCB	REV. D
	X. ± .X0 ± 0.38		APPROVE HOGI	DATE 01.02.2012		
	XX. ± .XX ± 0.25					
SCALE Free	XXX. ± .XXX ±					

Side Entry RJ45 <8P8C> PCB Jack  
short profile with LED's "Tap Up"  
fully shielded; top 2, each side 1 Grd. Latch

REV.	DESCRIPTION	DATE	DRAWN
A	NEW / Initial Release	02.01.2004	Huang
B	New DWG. No.	01.02.2012	Ronny
C	Update	23.09.2013	Ryan
D	13.55 -> 13.68	09.10.2013	Ryan



Recommended PCB Layout (Top View)



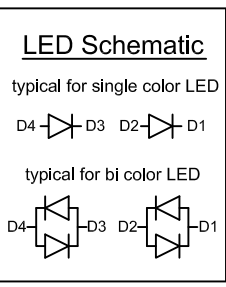
### Specifications

Current rating: 1.5A  
 Insulation resistance: 500MΩ min.  
 Withstanding voltage: 1000V rms 60Hz / Minute  
 Contact resistance: 50mΩ max.

### Materials

Contact: Phosphor Bronze (t=0.35mm)  
 Plating: Au flash in solder area; Au in contact area  
 Shield: Copper Alloy (t=0.25mm)  
 Plating: Ni  
 Insulator: Nylon 46 UL 94V-0 (Black)  
 Operating temperature: -40°C to +85°C

Cavity conforms to FCC Rules and Registration PAR68, Subparts F



Replace "x" with LED Color Options

PART NUMBER	GOLD PLATING CONTACT AREA
MJS-188-L3S0-55/3xCA	3μ"
MJS-188-L3S0-56/3xCA	6μ"
MJS-188-L3S0-57/3xCA	15μ"
MJS-188-L3S0-58/3xCA	30μ"
MJS-188-L3S0-5H/3xCA	50μ"

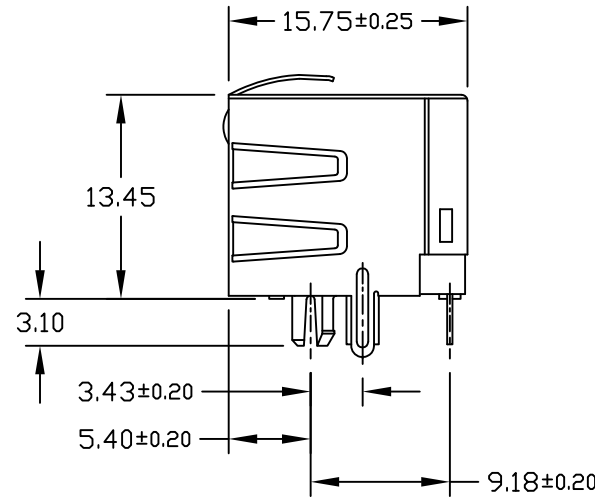
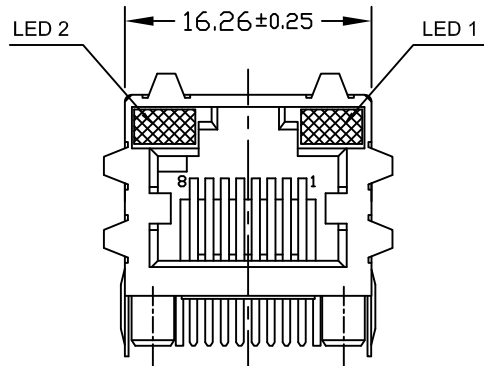
	LED Color Options	
	LED 2	LED 1
1	YELLOW	GREEN
2	NO LED	GREEN
3	GREEN	NO LED
4	GREEN	YELLOW
5	GREEN	GREEN
6	YELLOW	YELLOW
7	ORANGE/GREEN	ORANGE/GREEN
8	YELLOW/GREEN	YELLOW/GREEN
9	RED	NO LED
A	GREEN/YELLOW	GREEN/YELLOW
B	RED/GREEN	RED/GREEN
C	RED/GREEN	GREEN/YELLOW
D	GREEN	GREEN/YELLOW
E	YELLOW	GREEN/YELLOW



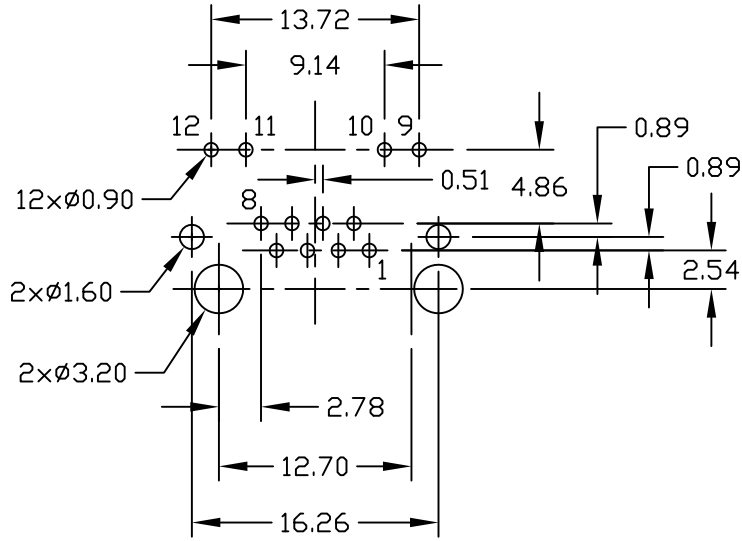
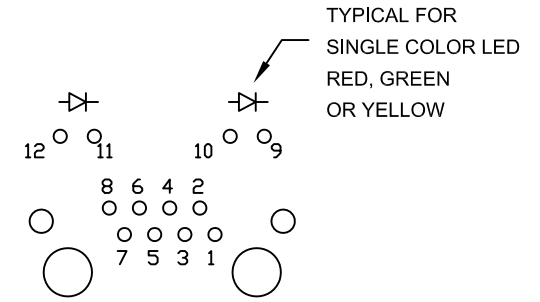
UNIT	GENERAL TOLERANCE		DRAWN	DATE	DWG. NO.	SHEET 1/1
mm	X.° ±	X. ±	Hunang	02.01.2004	1341502	REV. D
SCALE	.X° ±	.X ± 0.25	CHECK	09.10.2013		
Free	.XX° ±	.XX ± 0.20	APPROVE	09.10.2013	SERIES NO.	
	.XXX° ±	.XXX ± 0.05	Hogi		MJS-188-LxS0-xx/3xCA	

**SIDE ENTRY PCB JACK WITH RJ45 <8P8C> SHORT TYPE "TAB UP" FULLY SHIELDED with ground latches around**

REV.	LOCAS.	DESCRIPTION	DATE	DRAWN
A		NEW / Initial Release	02.01.2004	HUANG
B		New DWG. No.	01.02.2012	Ronny

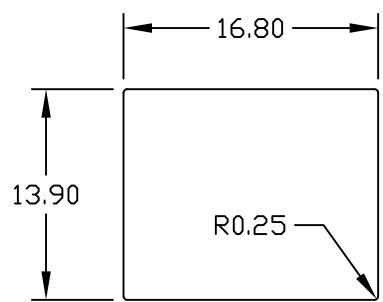


**LED SCHEMATIC**



PC-BOARD LAYOUT  
(TOP VIEW)

**RECOMMENDED PANEL CUTOUT**



**NOTES:**

- MATERIALS:**  
HOUSING: DSM STANYL (NYLON-46) BLACK UL94 V-0  
  
CONTACTS: T=0.35mm PhBz, 50µ" NICKEL UNDERPLATE  
GOLD FLASH ON TERMINATION END  
HARD GOLD ON CONTACT AREA  
SHIELD: T=0.25mm COPPER ALLOY PLATED WITH NICKEL
- OPERATING TEMPERATURE:** -40°C ~ +85°C
- CAVITY CONFORMS TO FCC RULES AND REGULATIONS PART 68, SUBPART F**

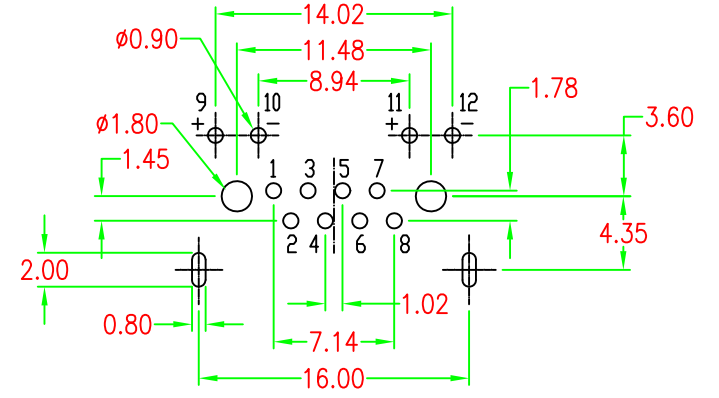
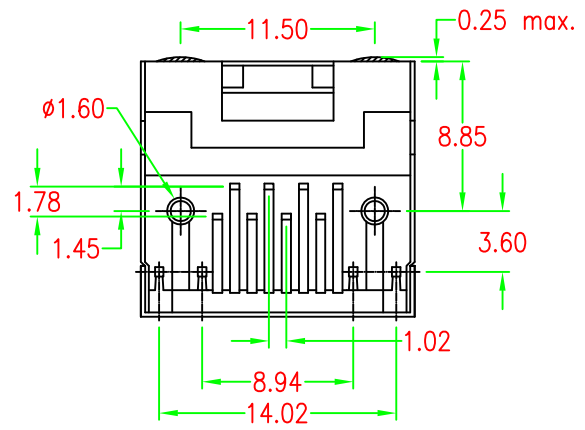
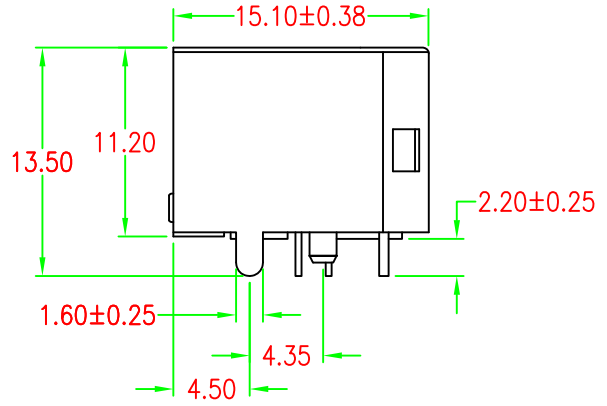
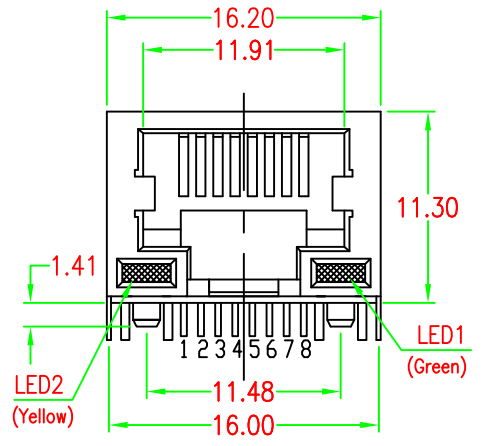
PART NUMBER	LED Color Options	
	LED 2	LED 1
MJS-188-L6S0-56/31CA	YELLOW	GREEN
MJS-188-L6S0-56/34CA	GREEN	YELLOW



UNIT	GENERAL TOLERANCE		DRAWN	DATE	DWG. NO.	SHEET 1/1
mm	X.° ± 5°	X. ± 0.30	Hunang	02.01.2004	1341503	REV. B
SCALE	.X° ± 3°	.X ± 0.25	Ronny	01.02.2012		
Free	.XX° ± 2°	.XX ± 0.13	APPROVE	DATE	SERIES NO.	MJS-188-LxS0-xx/3xCA
	.XXX° ± 1°	.XXX ± 0.05	HOGI	01.02.2012		

**SIDE ENTRY PCB JACK WITH LED  
RJ45 <8P8C> SHORT TYPE  
FULLY SHIELDED  
with panel ground latches around**

REV.	DESCRIPTION	DRAWN	DATE
A	Release	Ryan Chou	27.10.2010
B	New DWG. No.	Ronny	12.02.2012



RECOMMENED PCB LAYOUT  
TOP VIEW



**SPECIFICATIONS**

Current rating: 1.5A  
 Insulation resistance: 500MΩ min./500V DC  
 Dielectric withstanding: 1000V rms 60Hz/Minute  
 Contact resistance: 40mΩ max./20mV DC  
 Operating temperature: -40°C ~ +105°C  
 Insulator material: Nylon 46 UL 94V-0 color: Black  
 Contact material: Phosphor Bronze  
 Finish: Gold plated

Cavity conforms to FCC Rules and Registration PAR68, Subparts F

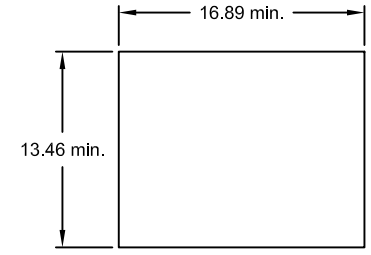
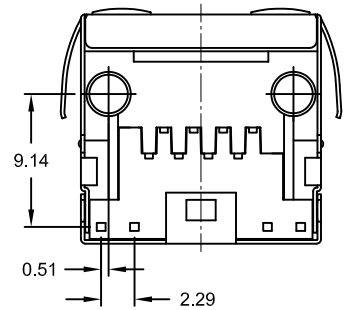
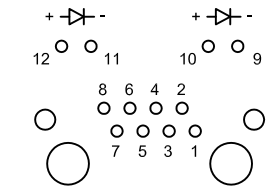
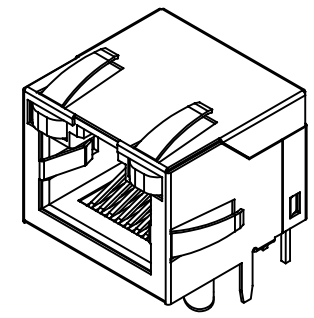
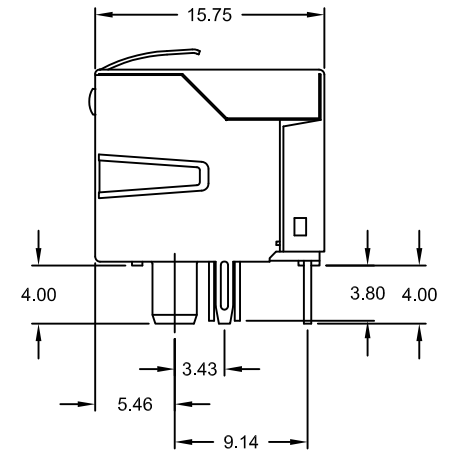
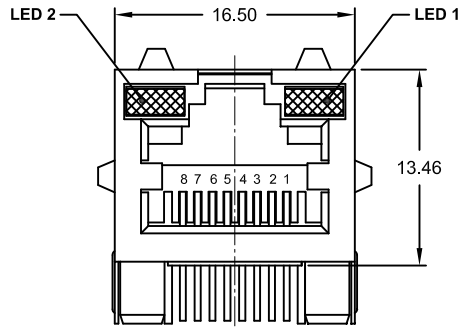
PART NUMBER	GOLD PLATING CONTACT AREA
MJS-188-LL3S-56/M1CS	6μ"
MJS-188-LL3S-57/M1CS	15μ"
MJS-188-LL3S-58/M1CS	30μ"
MJS-188-LL3S-5H/M1CS	50μ"



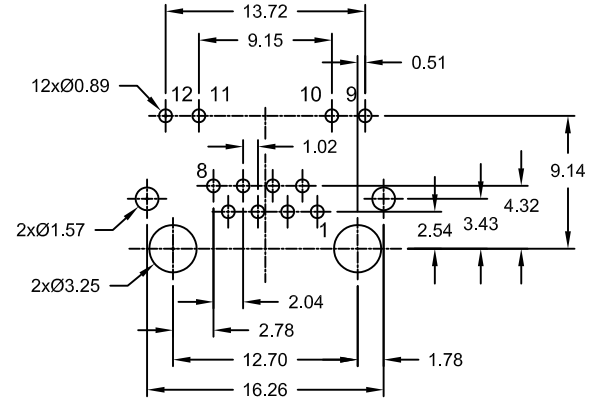
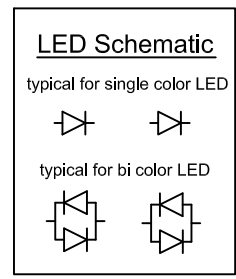
UNIT mm	GENERAL TOLERANCE		DRAWN Ryan Chou	DATE 27.10.2010	DWG. NO. 1341504	SHEET 1/1	
	SCALE Free	X.° ± 3°	.X° ±	CHECK Ronny	DATE 01.02.2012	PART NO. MJS-188-LL3S-5x/M1CS	
		XX. ±	.XX ± 0.25	APPROVE Hogi	DATE 01.02.2012		REV. B
		XXX. ±	.XXX ±				

Side Entry RJ45 PCB Jack  
<8P8C> short profile Type  
fully shielded with lower LED

REV.	DESCRIPTION	DATE	DRAWN
A	NEW	30.04.2008	Kathy Chung
B	update	13.07.2011	Ronny
C	add LED Options	18.07.2011	RH
D	New DWG. No.	01.02.2012	Ronny
E	update	08.08.2014	Ronny



Recommended Panel Cutout



Recommended PCB Hole Layout  
Top View  
(PCB TOLERANCE ±0.05)

PART NUMBER	GOLD PLATING CONTACT AREA
MJS-188-L1S0-96/3xCB	6µ"
MJS-188-L1S0-97/3xCB	15µ"
MJS-188-L1S0-98/3xCB	30µ"
MJS-188-L1S0-9H/3xCB	50µ"

Replace "x" with LED Color Options

LED Color Options	
LED 2	LED 1
1	YELLOW GREEN
2	NO LED GREEN
3	GREEN NO LED
4	GREEN YELLOW
5	GREEN GREEN
6	YELLOW YELLOW
7	ORANGE/GREEN ORANGE/GREEN
8	YELLOW/GREEN YELLOW/GREEN
9	RED NO LED
A	GREEN/YELLOW GREEN/YELLOW
B	RED/GREEN RED/GREEN
C	RED/GREEN GREEN/YELLOW
D	GREEN GREEN/YELLOW
E	YELLOW GREEN/YELLOW

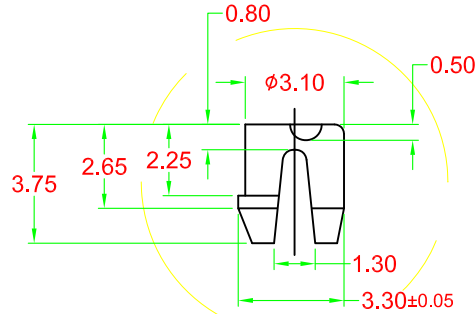
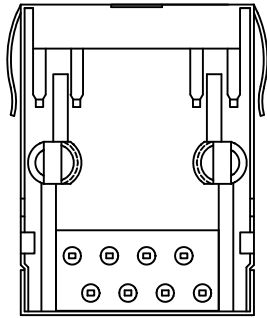
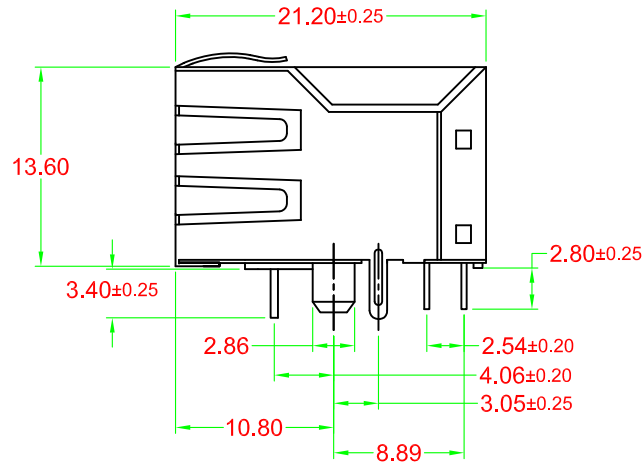
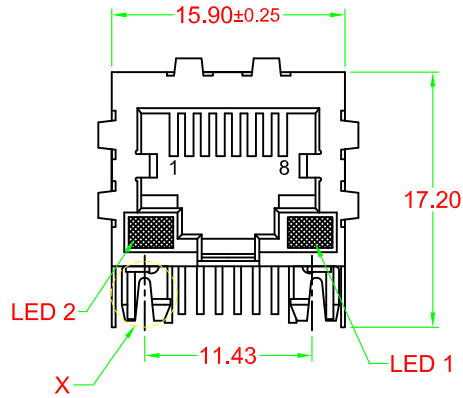
**SPECIFICATIONS**  
**ELECTRICAL:**  
 Current rating: 1.5A  
 Insulation resistance: 500MΩ min./500V DC  
 Withstanding voltage: 1000V rms 60Hz/Minute  
 Contact resistance: 50mΩ max./20mV DC  
 Temperature range: -40°C ~ +105°C  
**MATERIAL:**  
 Insulator: PBT UL 94V-0 color: Black  
 Contact: PhBz; Au plated on contact, Sn on solder area  
 Shield: Brass (t=0.35); Nickel plated



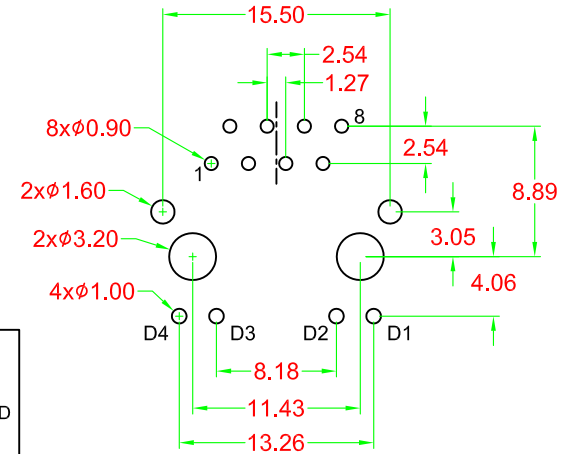
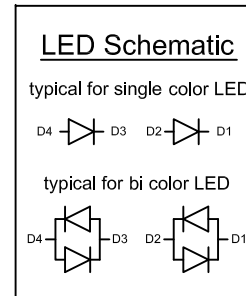
UNIT	GENERAL TOLERANCE	DRAWN	DATE	DWG. NO.	SHEET 1/1
mm	X.° ± X ± 0.50	Kathy Chung	30.04.2008	1341505	
SCALE	X. ± .X ± 0.38	CHECK	DATE	Series NO.	REV. E
Free	XX. ± .XX ± 0.25	Ronny	08.08.2014	MJS-188-L1S0-9x/3xCB	
	ANG. ± 3° .XXX ± 0.10	APPROVE	DATE		
		HOGI	08.08.2014		

**Side Entry RJ45 PCB Jack "TAB UP"**  
 <8P8C> short profile with LED's  
 fully shielded top 2, each side 1 Grd. Latch

REV.	DESCRIPTION	DRAWN	DATE
A	Release	Ryan Chou	2012/07/31



**DETAIL X**



Recommended PCB Hole Layout  
(Top View)

### Specifications

Current rating: 1.5A  
 Insulation resistance: 500MΩ min.  
 Withstanding voltage: 1000V rms 60Hz / Minute  
 Contact resistance: 50mΩ max.  
 Operating temperature: -40°C to +105°C

### Materials

Contact: Phosphor Bronze (t=0.35mm)  
 Plating: Au in contact area; Sn in solder area  
 Insulator: P.B.T. UL 94V-0 (Black)  
 Shield: 0.25mm Thick Copper Alloy,  
 Plating: Nickel.

Cavity conforms to FCC Rules and Registration PAR68,  
 Subparts F



Replace "x" with  
LED Color Options

	LED Color Options	
	LED 2	LED 1
1	YELLOW	GREEN
2	NO LED	GREEN
3	GREEN	NO LED
4	GREEN	YELLOW
5	GREEN	GREEN
6	YELLOW	YELLOW
7	ORANGE/GREEN	ORANGE/GREEN
8	YELLOW/GREEN	YELLOW/GREEN
9	RED	NO LED
A	GREEN/YELLOW	GREEN/YELLOW
B	RED/GREEN	RED/GREEN
C	RED/GREEN	GREEN/YELLOW
D	GREEN	GREEN/YELLOW
E	YELLOW	GREEN/YELLOW

PART NUMBER	GOLD PLATING
MJS-188-LL3L-55/7xCA	3μ"
MJS-188-LL3L-56/7xCA	6μ"
MJS-188-LL3L-57/7xCA	15μ"
MJS-188-LL3L-58/7xCA	30μ"
MJS-188-LL3L-5H/7xCA	50μ"

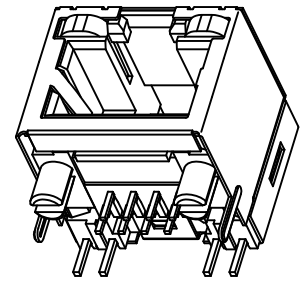
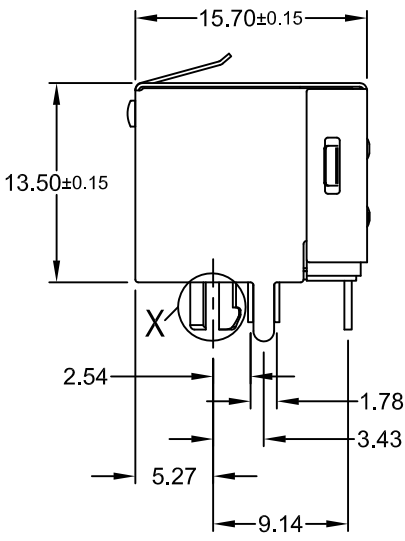
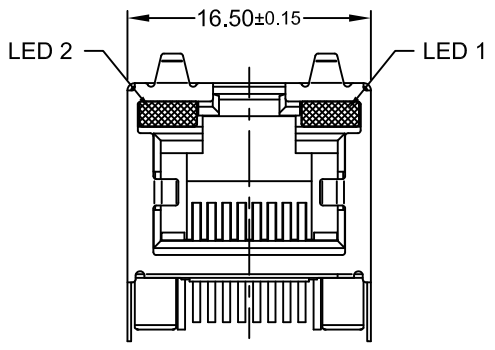


UNIT	mm	GENERAL TOLERANCE	DRAWN	DATE	DWG. NO.	SHEET 1/1
SCALE	Free	X.° ± 3° .X° ±	Ryan Chou	31.07.2012	1341506	
		X. ± .X ± 0.38	Lyndon Lin	31.07.2012	Series NO.	REV. A
		XX. ± .XX ± 0.25	APPROVE	DATE	MJS-188-LL3L-xx/7xCA	
		XXX. ± .XXX ±	Hogi	31.07.2012		

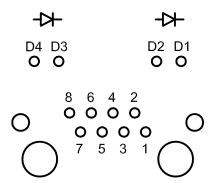
**RJ45 PCB JACK <8P8C> side entry**  
 "TAB DOWN" long profile Type with LED  
 fully shielded with Grd. Latches around



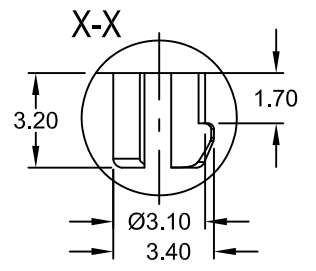
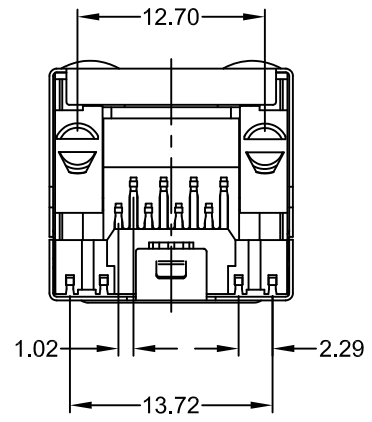
REV.	DESCRIPTION	DATE	DRAWN
A	NEW	21.02.2013	Ryan Chou



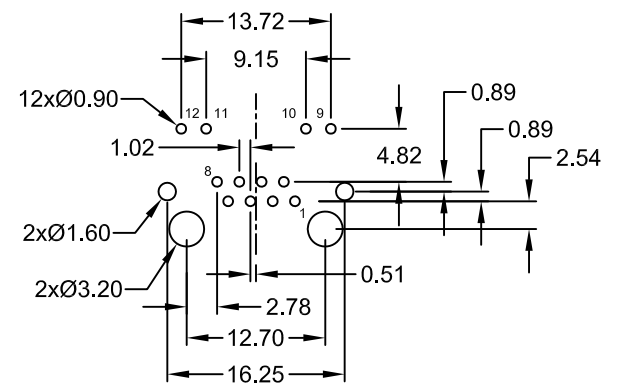
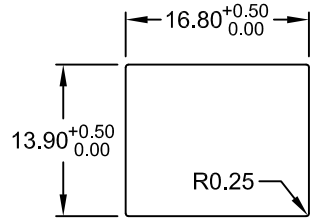
**LED SCHEMATIC**



**LED Schematic**  
 typical for single color LED  
 D4 → D3 D2 → D1  
 typical for bi color LED  
 D4 → D3 D2 → D1



Recommended Panel Cutout



Recommended PCB Hole Layout  
 Top View  
 (PCB TOLERANCE ±0.05)

Replace "X" with  
 LED Color Options

	LED Color Options	
	LED 2	LED 1
1	YELLOW	GREEN
2	NO LED	GREEN
3	GREEN	NO LED
4	GREEN	YELLOW
5	GREEN	GREEN
6	YELLOW	YELLOW
7	ORANGE/GREEN	ORANGE/GREEN
8	YELLOW/GREEN	YELLOW/GREEN
9	RED	NO LED
A	GREEN/YELLOW	GREEN/YELLOW
B	RED/GREEN	RED/GREEN
C	RED/GREEN	GREEN/YELLOW
D	GREEN	GREEN/YELLOW
E	YELLOW	GREEN/YELLOW

PART NUMBER	GOLD PLATING CONTACT AREA
MJS-188-L0S0-95/3xCT	6µ"
MJS-188-L0S0-96/3xCT	15µ"
MJS-188-L0S0-97/3xCT	30µ"
MJS-188-L0S0-98/3xCT	50µ"
MJS-188-L0S0-9H/3xCT	50µ"



**Specifications**

Current rating: 1.5A  
 Insulation resistance: 500MΩ min.  
 Withstanding voltage: 1000V rms 60Hz / Minute  
 Contact resistance: 50mΩ max.  
 Operating temperature: -40°C to +105°C

**Materials**

Contact: Phosphor Bronze (t=0.35mm)  
 Plating: Au in contact area; Sn in solder area  
 Insulator: P.B.T. UL 94V-0 (Black)  
 Shield: Thick Copper Alloy (t=0.25mm)  
 Plating: Nickel.  
 Cavity conforms to FCC Rules and Registration PAR68, Subparts F

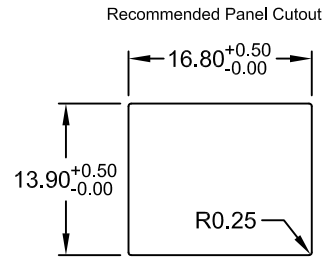
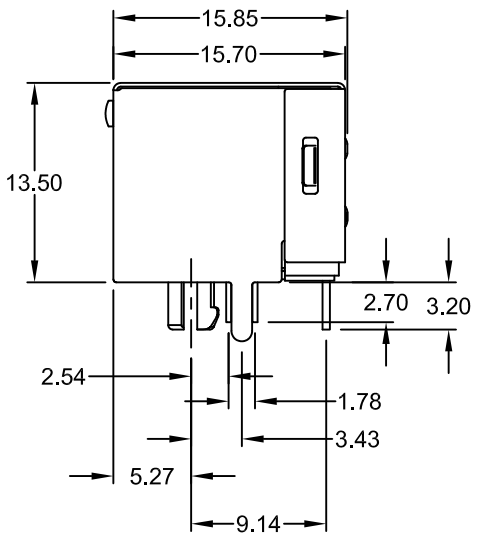
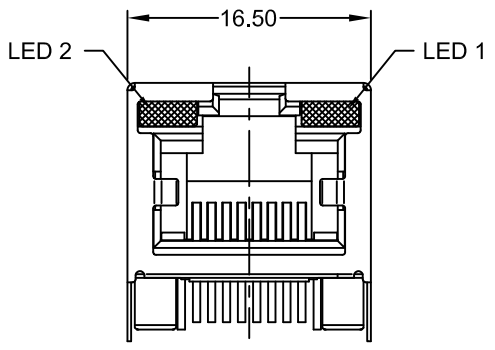


UNIT mm	GENERAL TOLERANCE		DRAWN Ryan Chou	DATE 21.02.2013	DWG. NO. 1341507	SHEET 1/1
SCALE Free	X.° ±	.X° ±	CHECK Ronny	DATE 21.02.2013	Series NO. MJS-188-L0S0-9x/3xCT	REV. A
	XX. ±	.XX ± 0.15	APPROVE HOGI	DATE 21.02.2013		
	XXX. ±	.XXX ± 0.075				

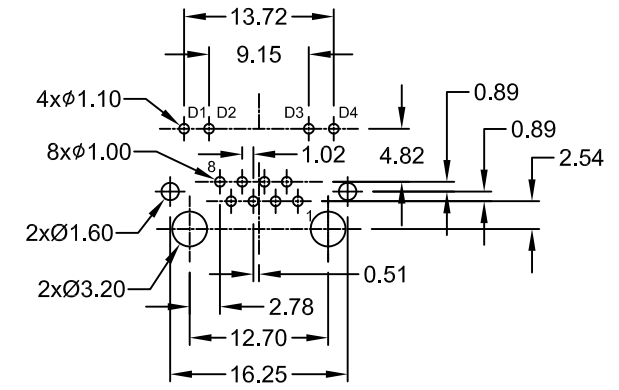
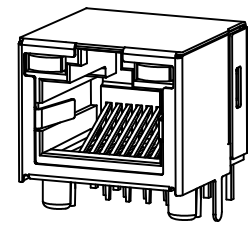
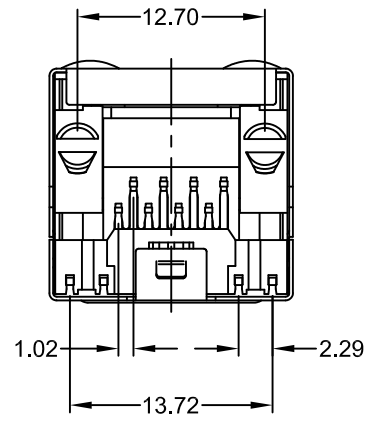
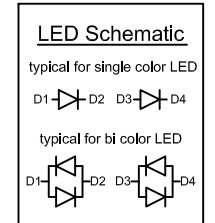
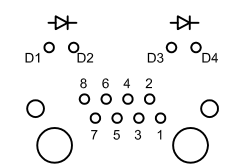
**Side Entry RJ45 PCB Jack**  
**<8P8C> short profile with LED's**  
 fully shielded; **top 2 Latch**



REV.	DESCRIPTION	DATE	DRAWN
A	NEW	22.03.2010	Ryan Chou



**LED SCHEMATIC**



Recommended PCB Hole Layout  
Top View  
(PCB TOLERANCE ±0.05)

Replace "x" with LED Color Options

PART NUMBER	GOLD PLATING CONTACT AREA
MJS-188-L0S0-95/3xCS	3μ"
MJS-188-L0S0-96/3xCS	6μ"
MJS-188-L0S0-97/3xCS	15μ"
MJS-188-L0S0-98/3xCS	30μ"
MJS-188-L0S0-9H/3xCS	50μ"

	LED Color Options	
	LED 2	LED 1
1	YELLOW	GREEN
2	NO LED	GREEN
3	GREEN	NO LED
4	GREEN	YELLOW
5	GREEN	GREEN
6	YELLOW	YELLOW
7	ORANGE/GREEN	ORANGE/GREEN
8	YELLOW/GREEN	YELLOW/GREEN
9	RED	NO LED
A	GREEN/YELLOW	GREEN/YELLOW
B	RED/GREEN	RED/GREEN
C	RED/GREEN	GREEN/YELLOW
D	GREEN	GREEN/YELLOW
E	YELLOW	GREEN/YELLOW

**Specifications Electrical**

Current rating: 1.5A  
 Insulation resistance: 500MΩ min./500V DC  
 Withstanding voltage: 1000V rms 60Hz/Minute  
 Contact resistance: 50mΩ max./20mV DC  
 Operating temperature: -40C ~ +105C



**MATERIAL**

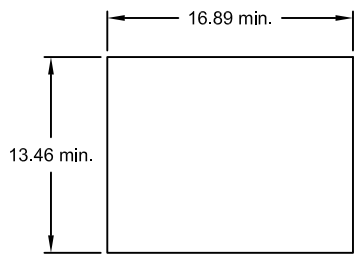
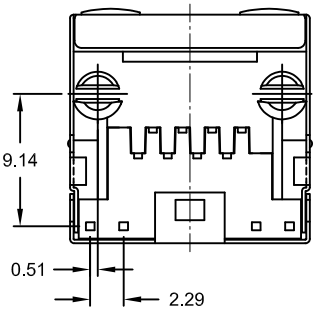
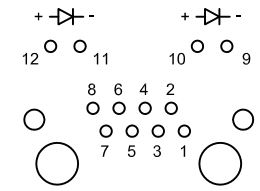
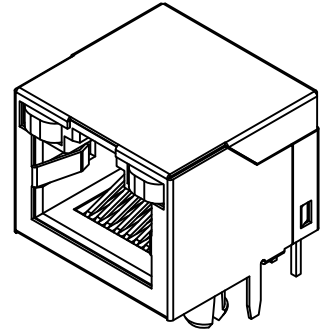
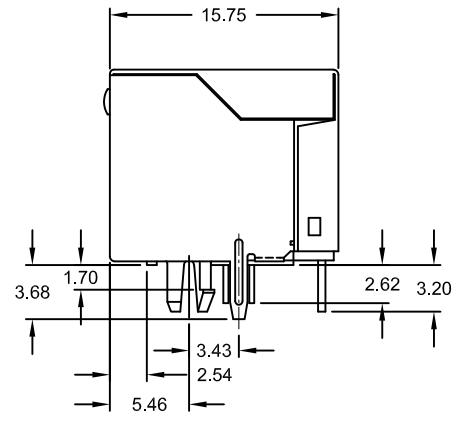
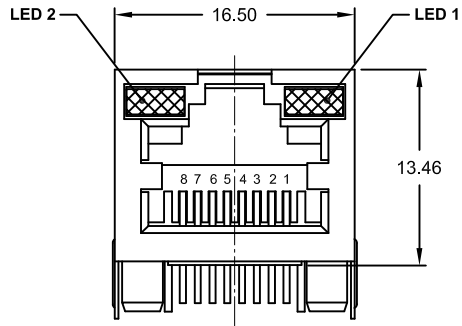
Insulator: PBT UL 94V-0 color: Black  
 Contact: PhBz; Au plated on contact, Sn on solder area  
 Shield: Brass (t=0.35); Nickel plated



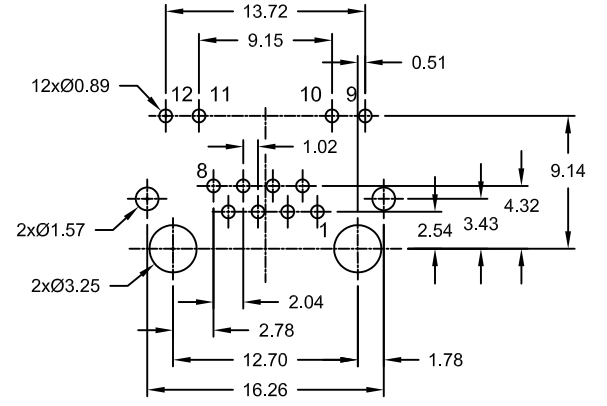
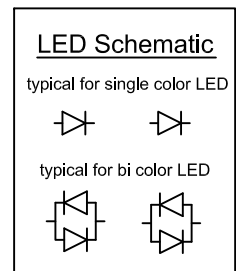
UNIT mm	GENERAL TOLERANCE	DRAWN Ryan Chou	DATE 26.06.2014	DWG. NO. 1341508	SHEET 1/1
SCALE Free	X.° ± 3° .X° ±	CHECK Ronny	DATE 26.06.2014	Series NO. MJS-188-L0S0-9x/3xCS	REV. A
	XX. ± .XX ± 0.25	APPROVE HOGI	DATE 26.06.2014		
	XXX. ± .XXX ±				

Side Entry RJ45 <8P8C> PCB Jack  
short profile with LED's "Tap Up"  
fully shielded

REV.	DESCRIPTION	DATE	DRAWN
A	NEW	07.08.2014	Ryan Chou



Recommended Panel Cutout



Recommended PCB Hole Layout  
Top View  
(PCB TOLERANCE ±0.05)

PART NUMBER	GOLD PLATING CONTACT AREA
MJS-188-L1S0-96/3xCS	6μ"
MJS-188-L1S0-97/3xCS	15μ"
MJS-188-L1S0-98/3xCS	30μ"
MJS-188-L1S0-9H/3xCS	50μ"

Replace "x" with LED Color Options

	LED 2	LED 1
1	YELLOW	GREEN
2	NO LED	GREEN
3	GREEN	NO LED
4	GREEN	YELLOW
5	GREEN	GREEN
6	YELLOW	YELLOW
7	ORANGE/GREEN	ORANGE/GREEN
8	YELLOW/GREEN	YELLOW/GREEN
9	RED	NO LED
A	GREEN/YELLOW	GREEN/YELLOW
B	RED/GREEN	RED/GREEN
C	RED/GREEN	GREEN/YELLOW
D	GREEN	GREEN/YELLOW
E	YELLOW	GREEN/YELLOW

**SPECIFICATIONS**  
**ELECTRICAL:**  
 Current rating: 1.5A  
 Insulation resistance: 500MΩ min./500V DC  
 Withstanding voltage: 1000V rms 60Hz/Minute  
 Contact resistance: 50mΩ max./20mV DC  
 Temperature range: 0°C ~ +70°C  
**MATERIAL:**  
 Insulator: PBT UL 94V-0 color: Black  
 Contact: PhBz; Au plated on contact, Sn on solder area  
 Shield: Brass (t=0.35); Nickel plated



UNIT	mm	GENERAL TOLERANCE		DRAWN	DATE	DWG. NO.	SHEET 1/1
SCALE	Free	X.° ±	.X° ±	Ryan Chou	07.08.2014	1341509	REV. A
		X. ±	.X ± 0.38	RONNY	07.08.2014	Series NO.	
		XX. ±	.XX ± 0.25	HOGI	07.08.2014	MJS-188-L1S0-9x/3xCS	
		XXX. ±	.XXX ± 0.10				

**Side Entry RJ45 PCB Jack "TAB UP"**  
 <8P8C> short profile with LED's  
 fully shielded without gnd. latch