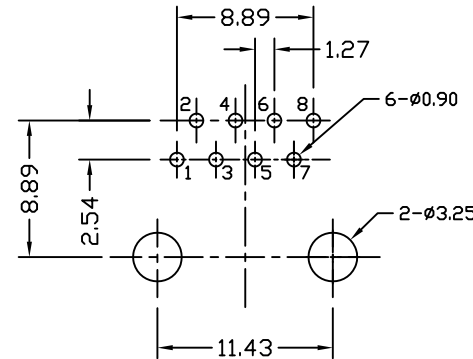
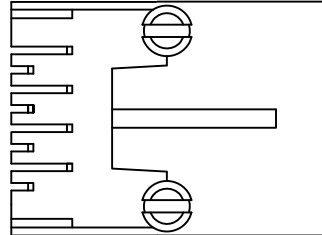
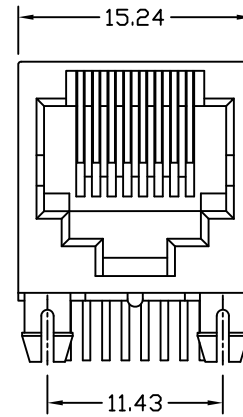
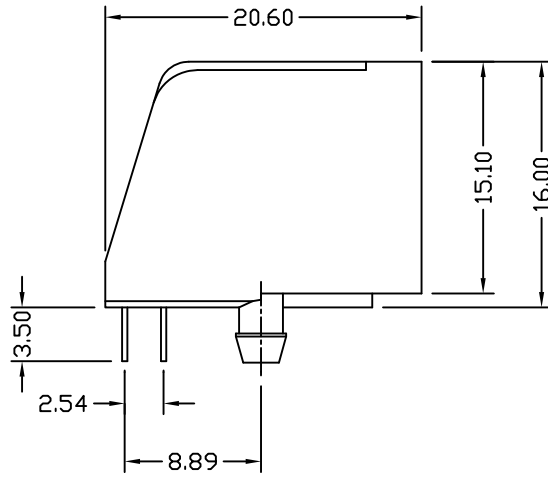
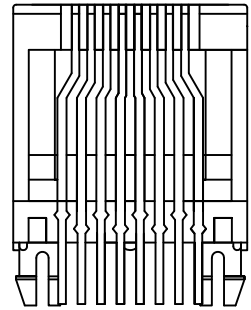


REV.	LOCAS.	DESCRIPTION	DATE	DRAWN
A		NEW	28.09.1988	LILY
B		Nwe DWG. No.	01.02.2012	Ronny



RECOMMENDED HOLE PATTERN



NOTE

1. Material:

Housing: PBT black UL 94V-0

Contact: 0.35mm PhBz

Plating: Sn over Ni on solder area

Au over Ni on mating area

2. CAVITY CONFIRMS TO FCC RULES AND REGISTRATION PAR68, SUBPARTS F

PART NUMBER	GOLD PLATING CONTACT AREA
MJS-188-R1M0-96	6μ"
MJS-188-R1M0-97	15μ"
MJS-188-R1M0-98	30μ"
MJS-188-R1M0-9H	50μ"



UNIT	mm
SCALE	Free

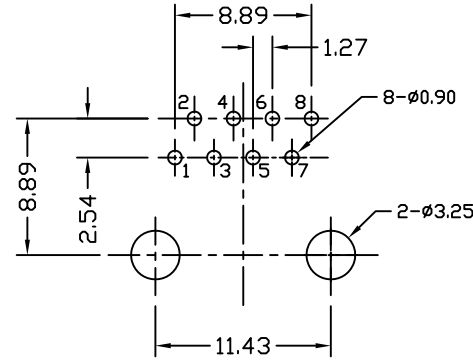
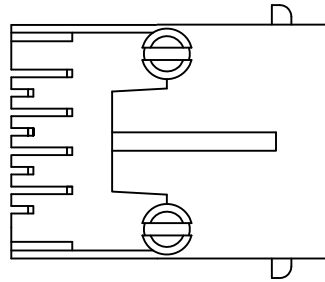
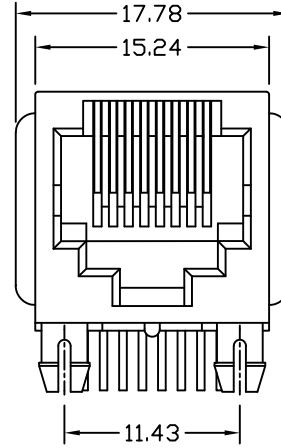
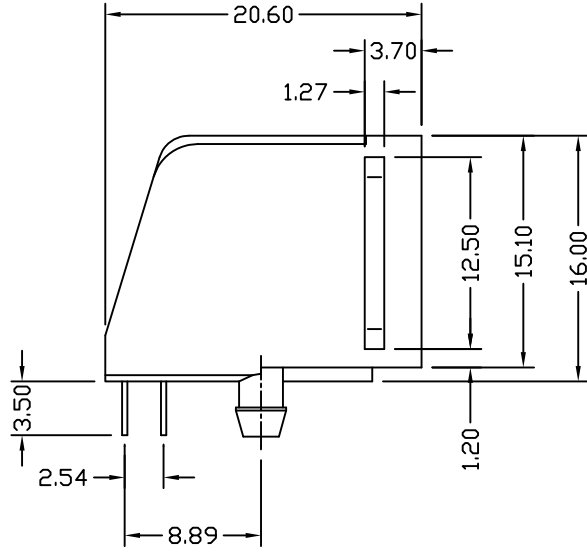
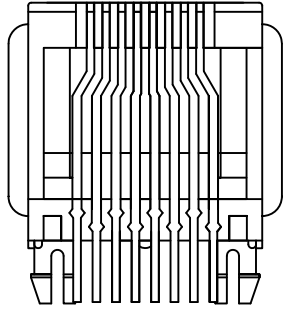
GENERAL TOLERANCE	
X.° ±	X ± 0.50
.X° ±	.X ± 0.38
.XX° ±	.XX ± 0.25
ANG ± 3°	.XXX ± 0.10

DRAWN	LILY	DATE	21.08.1992
CHECK	Ronny	DATE	01.02.2012
APPROVE	HOGI	DATE	01.02.2012

DWG. NO.	1311500	SHEET 1/1
SERIES NO.	MJS-1xx-R1M0-9x	REV. B

RJ45 PCB Jack <8P8C>
side entry NON shielded
without panel stop

REV.	LOCAS.	DESCRIPTION	DATE	DRAWN
A		NEW	28.09.1988	LILY
B		New DWG. No.	01.02.2012	Ronny



NOTE

1. Material:

Housing: PBT black UL 94V-0

Contact: 0.35mm PhBz

Plating: Sn over Ni on solder area

Au over Ni on mating area

2. CAVITY CONFIRMS TO FCC RULES AND REGISTRATION PAR68, SUBPARTS F

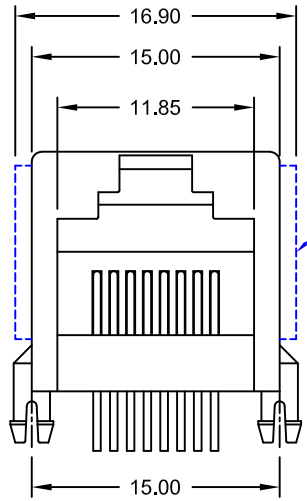
PART NUMBER	GOLD PLATING CONTACT AREA
MJS-188-R1M10-96	6μ"
MJS-188-R1M10-97	15μ"
MJS-188-R1M10-98	30μ"
MJS-188-R1M10-9H	50μ"



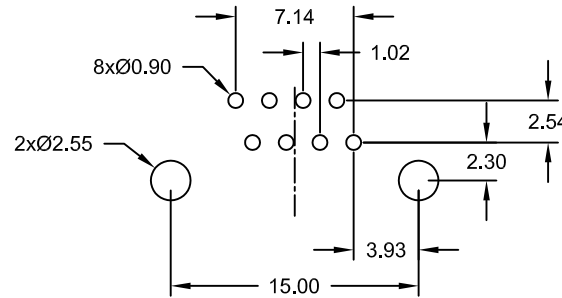
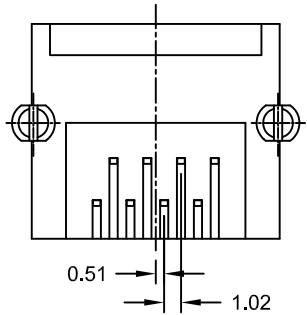
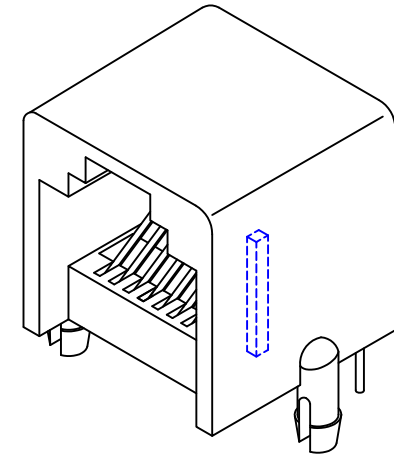
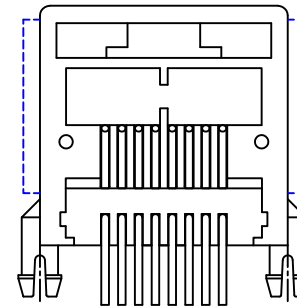
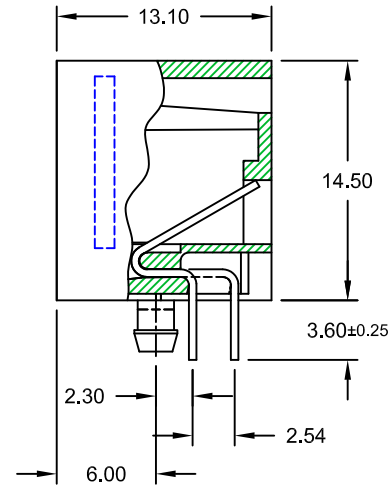
UNIT	mm	GENERAL TOLERANCE		DRAWN	LILY	DATE	21.08.1992	DWG. NO.	SHEET 1/1
SCALE	Free	X° ±	X ± 0.50	CHECK	Ronny	DATE	01.02.2012	1311501	REV. B
		.XX° ±	.XX ± 0.38	APPROVE	HOGI	DATE	01.02.2012	SERIES NO.	
		ANG ± 3°	.XXX ± 0.10					MJS-1xx-R1M10-9x	

RJ45 PCB Jack <8P8C>
side entry NON shielded
with panel stop

REV.	DESCRIPTION	DATE	DRAWN
A	New	30.07.2009	Ryan
B	update	08.04.2015	Ronny



PANEL STOP
OPTIONAL



Recommended PCB Layout
(Top View)

add "G" if gray color housing

PART NUMBER <i>WITH PANEL STOP</i>	PART NUMBER <i>WITHOUT PANEL STOP</i>	GOLD PLATING CONTACT AREA
MJS-188-S4S30-96	MJS-188-S4S0-96	6µ"
MJS-188-S4S30-97	MJS-188-S4S0-97	15µ"
MJS-188-S4S30-98	MJS-188-S4S0-98	30µ"
MJS-188-S4S30-9H	MJS-188-S4S0-9H	50µ"

Specifications

Electrical

Current rating: 1.5A
 Insulation resistance: 500MΩ min. / 500V DC
 Voltage rating: 125V AC max.
 Withstanding voltage: 1000V rms 60Hz / Minute
 Contact resistance: 30mΩ max. / 20mV DC

Material

Stamped pin 0.35 x 0.42mm Phosphor Bronze
 Plating: Gold over Nickel on contact area,
 Tin over Nickel on solder area.
 Insulator: PBT UL 94V-0 (Black *standard*)

Operating temperature: -40°C to +70°C

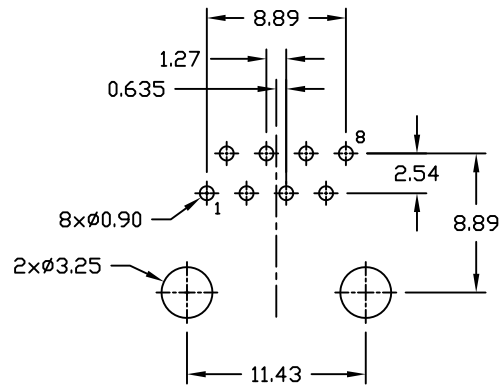
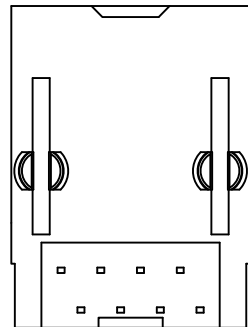
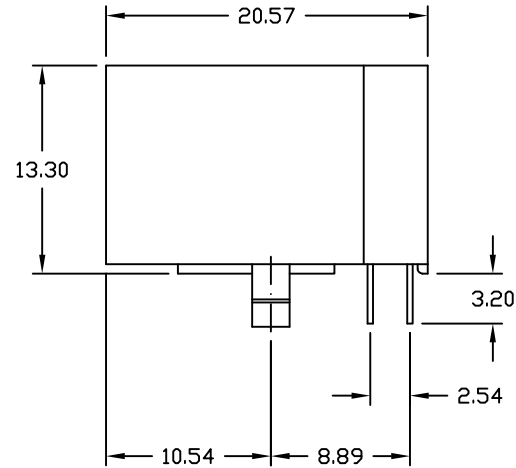
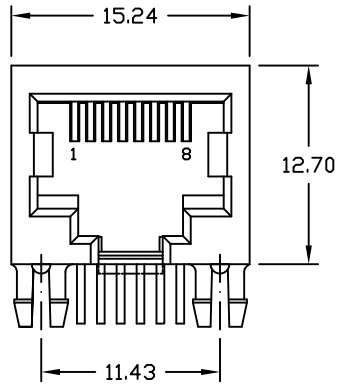
Durability: 750 cycles min.
 Cavity comply with FCC Rules and Regulations Part 68, Subpart F



UNIT mm	GENERAL TOLERANCE		DRAWN Ryan	DATE 30.07.2009	DWG. NO. 1311506	SHEET 1/1
	SCALE Free	X.° ±	X. ±	CHECK Ronny	DATE 08.04.2015	REV. B
		.XX° ±	.XX ± 0.15	APPROVE Hogi	DATE 08.04.2015	SERIES NO. MJS-188-S4Sx0-9x/X
		XXX. ±	.XXX ±			

THT Side Entry PCB Jack
 RJ45 <8P8C> short profile
with & without Panel Stop
 NON shielded

REV.	LOCAS.	DESCRIPTION	DATE	DRAWN
A		New	22.12.1992	RH
B		New DWG. No.	01.02.2012	Ronny



RECOMMENDED PCB LAYOUT
TOP VIEW

Specifications

Current rating: 1.5A
 Insulation resistance: 500MΩ min.
 Dielectric withstanding: 1000V AC 1 Minute
 Contact resistance: 50mΩ max.

Materials

Contact: Phosphor Bronze
 plating: Selective; Au over Ni in contact area,
 Sn over Ni in solder area
 Insulator material: PBT UL 94V-0 (Black)

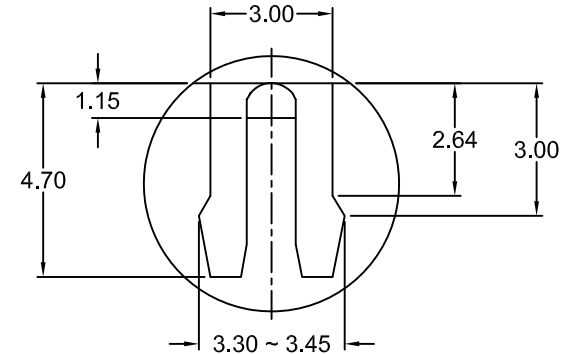
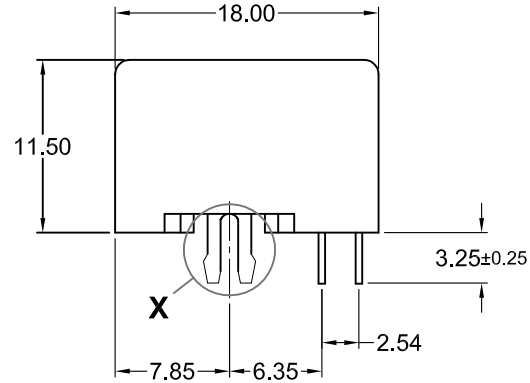
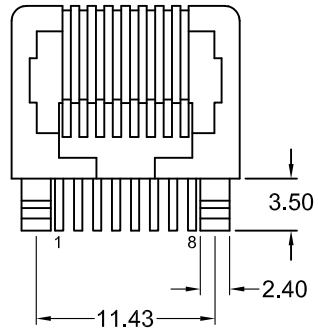


PART NUMBER	GOLD PLATING CONTACT AREA
MJS-188-S1L0-96	6μ"
MJS-188-S1L0-97	15μ"
MJS-188-S1L0-98	30μ"
MJS-188-S1L0-9H	50μ"

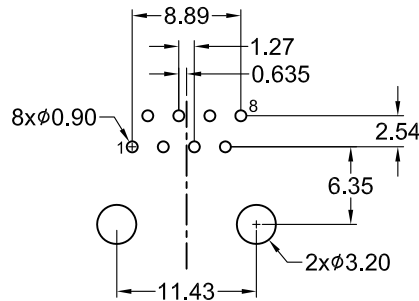
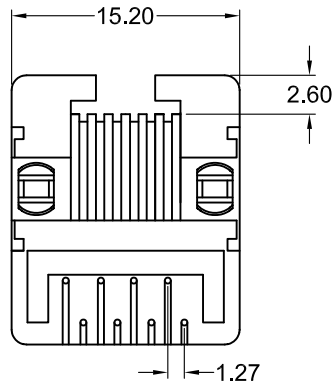
	UNIT	mm		DRAWN	Jerry	DATE	22.12.1992	DWG. NO.	SHEET 1/1
	SCALE	Free		CHECK	Ronny	DATE	01.02.2012	1311507	REV. B
				APPROVE	Hogi	DATE	01.02.2012	SERIES NO.	
								MJS-188-S1L0-xx	

RJ45 PCB JACK <8P8C>
 side entry - Long profile
 non shielded

REV.	DESCRIPTION	DATE	DRAWN
A	NEW	25.06.2013	Ryan Chou



Detail X



Recommended PCB Hole Layout
(Top View)



Specifications

Current rating: 1.5A
 Insulation resistance: 500MΩ min.
 Withstanding voltage: 1000V rms 60Hz / Minute
 Contact resistance: 50mΩ max.
 Operating temperature: -40°C to +105°C

Materials

Contact: Phosphor Bronze (t=0.45mm)
 Plating: Au in solder area; Au in contact area
 Insulator: P.B.T. UL 94V-0 (Black)

Cavity conforms to FCC Rules and Registration PAR68,
 Subparts F

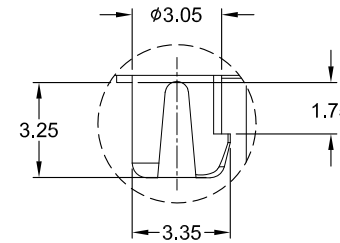
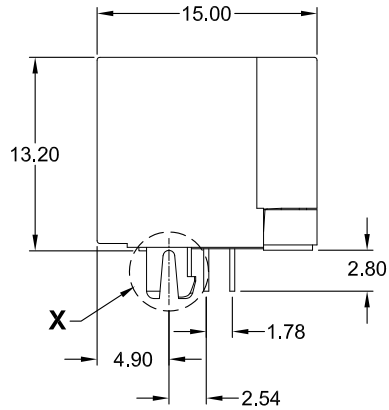
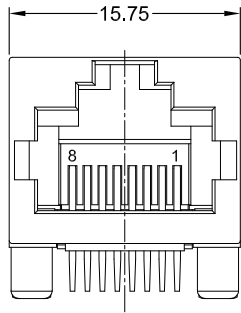
PART NUMBER	GOLD PLATING CONTACT AREA
MJS-188-D3S1-55	3μ"
MJS-188-D3S1-56	6μ"
MJS-188-D3S1-57	15μ"
MJS-188-D3S1-58	30μ"
MJS-188-D3S1-5H	50μ"

UNIT mm	GENERAL TOLERANCE		DRAWN Ryan Chou	DATE 25.06.2013	DWG. NO. 1311508	SHEET 1/1	
	X.° ±	.X° ±					
	SCALE Free	X. ±	.X ± 0.25	CHECK Ronny	DATE 25.06.2013	Series NO. MJS-188-D3S1-5x	REV. A
	⊕	XX. ±	.XX ± 0.15	APPROVE Hogji	DATE 25.06.2013		
	XXX. ±	.XXX ± 0.075					

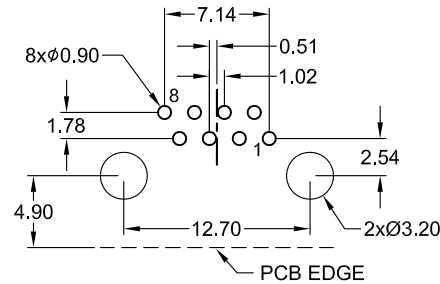
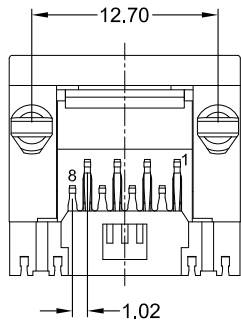
Side Entry RJ 45 <8P8C>
THT side entry "TAB DOWN"
 Short profile Type non shielded



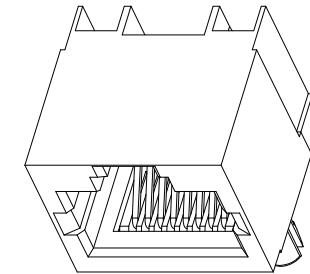
REV.	DESCRIPTION	DATE	DRAWN
A	NEW	22.09.2011	Ryan Chou
B	Add housing colour option	25.07.2013	Ryan Chou



Detail X



**Recommended PCB Hole Layout
Top View
(Tolerance: ±0.05)**



Replace "X" with
housing Color Options



PART NUMBER	GOLD PLATING CONTACT AREA
MJS-188-S0S1-95/X	3μ"
MJS-188-S0S1-96/X	6μ"
MJS-188-S0S1-97/X	15μ"
MJS-188-S0S1-98/X	30μ"
MJS-188-S0S1-9H/X	50μ"

- Blank** = Black (standard)
- U** = Blue (285C)
- G** = Gray (3U)
- R** = Red (200C)
- W** = white (1U)
- Y** = Yellow (114C)

Specifications

Current rating: 1.5A
 Insulation resistance: 500MΩ min.
 Withstanding voltage: 1000V rms 60Hz / Minute
 Contact resistance: 50mΩ max.
 Operating temperature: -40°C to +85°C

Materials

Contact: Copper Alloy (t=0.35mm)
 Plating: Sn in solder area; Au in contact area
 Insulator: P.B.T. UL 94V-0
 (6 different Color options possible)

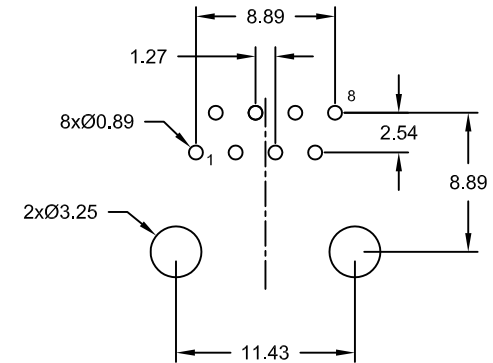
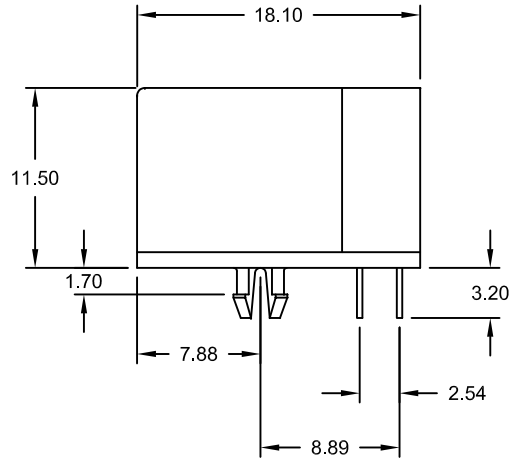
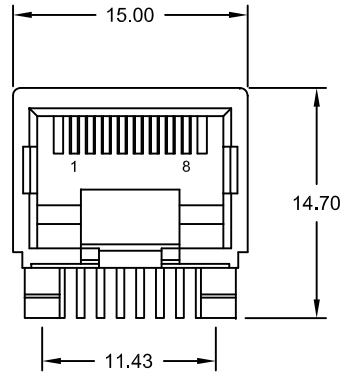
Cavity conforms to FCC Rules and Registration PAR68, Subparts F



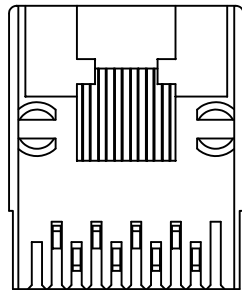
UNIT mm	GENERAL TOLERANCE		DRAWN Ryan Chou	DATE 22.09.2011	DWG. NO. 1311509	SHEET 1/1
	SCALE Free	X.° ±	.X° ±	CHECK Ronny	DATE 25.07.2013	REV. B
		XX. ±	.XX ± 0.25	APPROVE Hogi	DATE 25.07.2013	Series NO. MJS-188-S0S1-9x/X
		XXX. ±	.XXX ±			

RJ45 PCB JACK <8P8C>
 short profile
 non shielded

REV.	DESCRIPTION	DATE	DRAWN
A	New	01.07.2014	Ronny



Recommended PCB Layout
Top View
(Tolerance ±0.05)



PART NUMBER	GOLD PLATING CONTACT AREA
MJS-188-DH1S0-95	3μ"
MJS-188-DH1S0-96	6μ"
MJS-188-DH1S0-97	15μ"
MJS-188-DH1S0-98	30μ"
MJS-188-DH1S0-9H	50μ"

Specifications Electrical

Current rating: 1.5A
Insulation resistance: 500MΩ min.
Withstanding voltage: 1000V AC
Contact resistance: 50mΩ max.

Material

Contact: Phosphor Bronze
Plating: Sn / Au over Ni
Insulator: Nylon 9T (Black) UL 94V-0

Operating temperature: -40°C to +105°C

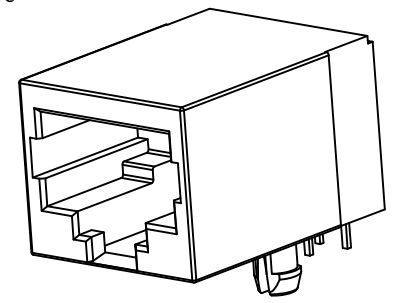
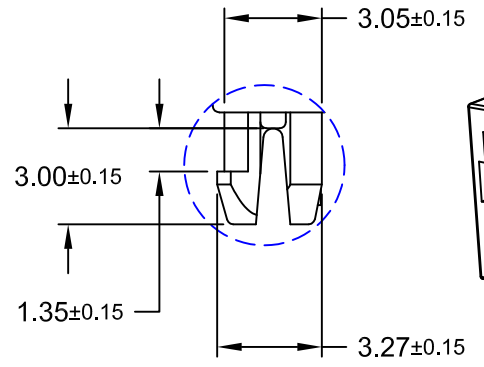
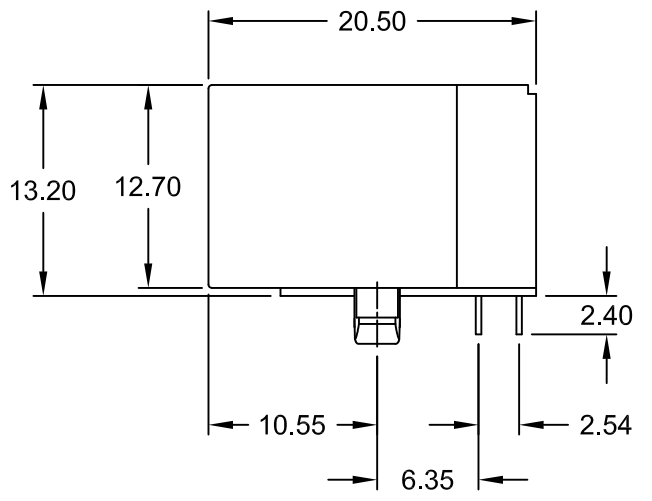
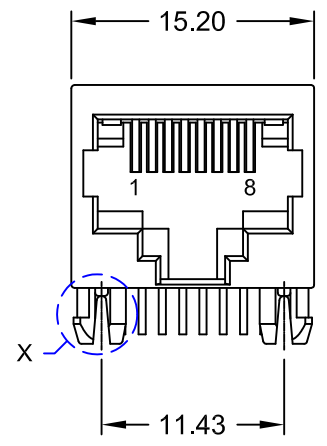
Cavity confirms to FCC Rules and Registration Part 68, Subparts F



UNIT	GENERAL TOLERANCE		DRAWN	DATE	DWG. NO.	SHEET 1/1
mm	X.° ±	X ± 0.50	Ronny	01.07.2014	1311510	REV. A
SCALE	.X° ±	.X ± 0.38	CHECK	01.07.2014	SERIES NO.	
Free	.XX° ±	.XX ± 0.25	APPROVE	01.07.2014	MJS-188-DH1S0-9x	
	Ang. ± 3°	.XXX ± 0.10	Hogi			

RJ45 PCB JACK <8P8C>
side entry - short profile "TAB DOWN"
non shielded - Nylon 9T -

REV.	DESCRIPTION	DATE	DRAWN
A	NEW	XX.XX.2015	Ronny



Detail X



Specifications

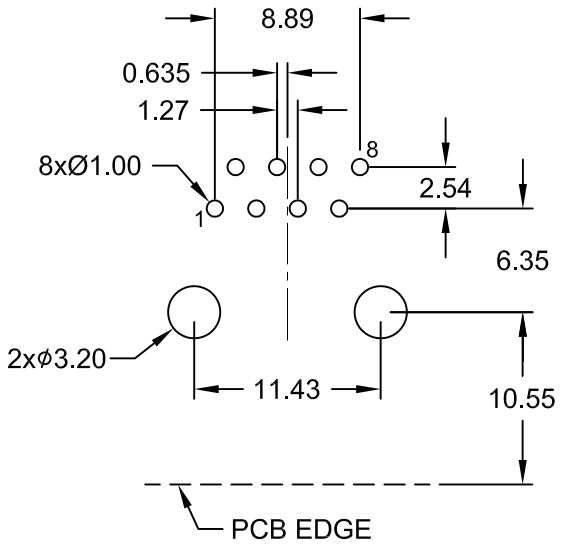
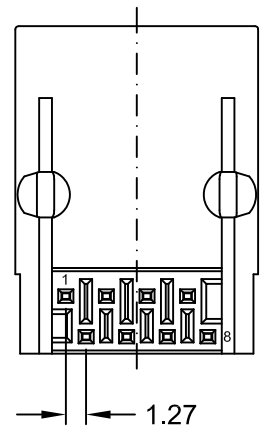
Current rating: 1.5A
 Insulation resistance: 500MΩ min.
 Withstanding voltage: 1000V rms / Minute
 Contact resistance: 50mΩ max.

Materials

Contact: Copper Alloy (t=0.35mm)
 Plating: Sn in solder area; Au in contact area
 Insulator: PBT UL 94V-0 (black)

Operating temperature: -40°C to +85°C

Cavity confirms to FCC rules and regulations Part 68, Subpart F



Recommended PCB Layout Top View
(Tolerance ±0.05)

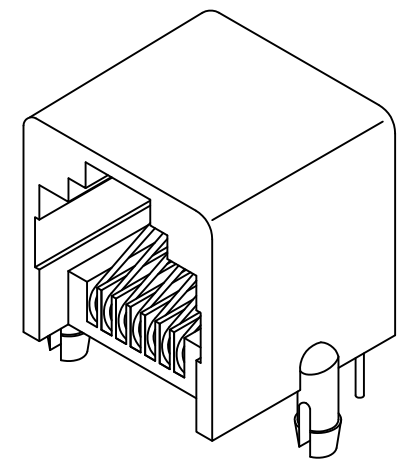
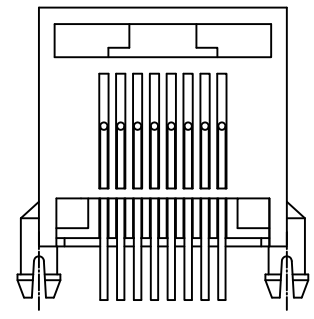
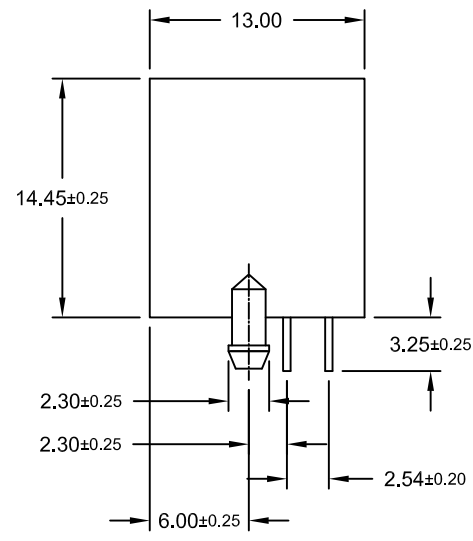
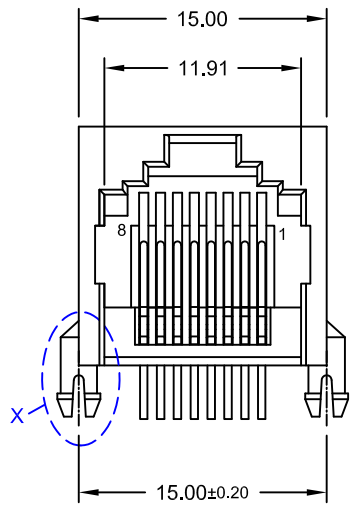
PART NUMBER	GOLD PLATING CONTACT AREA
MJS-188-D0L0-96	6μ"
MJS-188-D0L0-97	15μ"
MJS-188-D0L0-98	30μ"
MJS-188-D0L0-9H	50μ"



UNIT	mm	GENERAL TOLERANCE		DRAWN	DATE	DWG. NO.	SHEET 1/1
SCALE	Free	X.° ±	X. ±	Ronny	29.01.2015	1311512	REV. A
		.X° ±	.X ±	Oliver	29.01.2015	SERIES NO.	
		.XX° ±	.XX ± 0.25	Hogi	29.01.2015	MJS-188-D0L0-9x	
		.XXX° ±	.XXX ±				

Side entry PCB Jack
RJ45 <8P8C> "Tab down"
 long profile Type NON shielded

REV.	DESCRIPTION	DATE	DRAWN
A	New	09.04.2015	Ronny

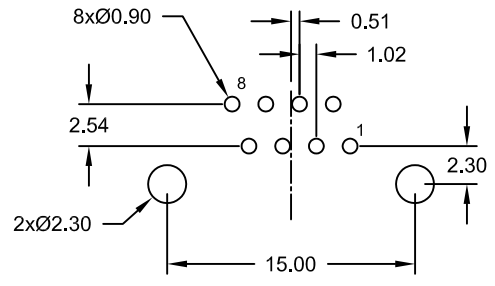
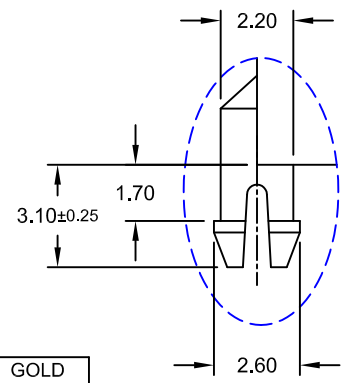
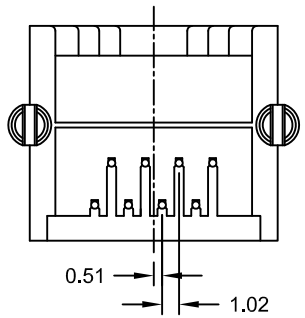


Specifications

Electrical
 Current rating: 1.5A
 Insulation resistance: 500MΩ min. / 500V DC
 Voltage rating: 125V AC max.
 Withstanding voltage: 1000V rms 60Hz / Minute
 Contact resistance: 30mΩ max. / 20mV DC

Material

round pin Ø 0.45mm Phosphor Bronze
 Plating: Gold over Nickel
 Insulator: PBT UL 94V-0 (Black)
 Operating temperature: -40°C to +70°C
 Durability: 750 cycles min.
 Cavity comply with FCC Rules and Regulations Part 68, Subpart F



Recommended PCB Layout (Top View)

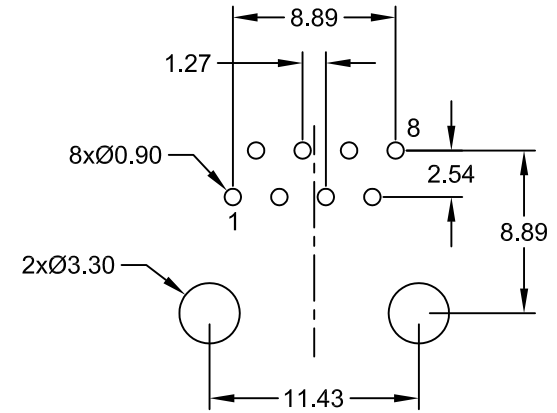
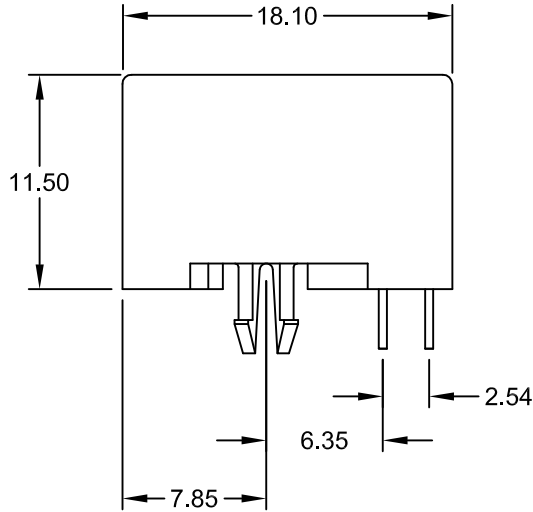
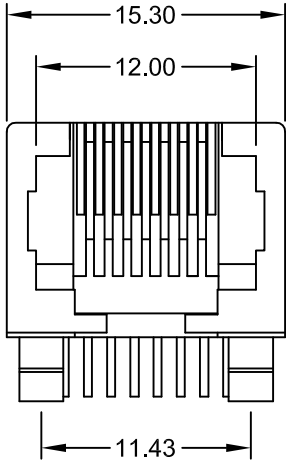
PART NUMBER	GOLD PLATING
MJS-188-S3S0-55	3µ"



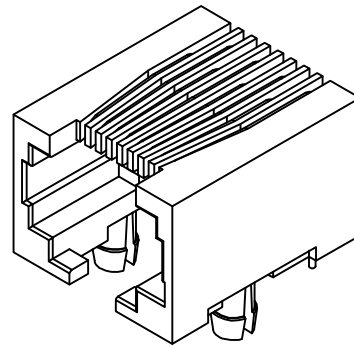
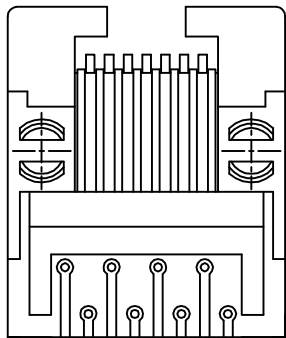
UNIT	SCALE	GENERAL TOLERANCE	DRAWN	DATE	DWG. NO.	SHEET 1/1
mm	Free	X.° ±	Ronny	09.04.2015	1311514	REV. A
		.X° ±	Oliver	09.04.2015	SERIES NO.	
		.XX° ±	Hogi	09.04.2015	MJS-188-S3S0-5x	
		XXX. ±				

THT Side Entry PCB Jack
 RJ45 <8P8C> short profile
without Panel Stop NON shielded
Black Colour

REV.	DESCRIPTION	DATE	DRAWN
A	NEW	04.03.2009	Ronny
B	P/N change -R196- -> -D4M0-	14.10.2015	Ryan



Recommended PCB Layout Top View
(Tolerance ±0.05)



PART NUMBER	GOLD PLATING CONTACT AREA
MJS-188-D4M0-55	flash
MJS-188-D4M0-56	6μ"
MJS-188-D4M0-57	15μ"
MJS-188-D4M0-58	30μ"
MJS-188-D4M0-5H	50μ"

Specifications

Electrical

Current rating: 1.5A
 Insulation resistance: 500MΩ min.
 Withstanding voltage: 1000V rms 60Hz / Minute
 Contact resistance: 30mΩ max.

Material

Round pin Ø 0.45mm Phosphor Bronze
 Plating: Au flash on solder area over Ni
 Insulator: PBT (black) UL 94V-0

Operating temperature: -40°C to +85°C

Cavity comply with FCC Rules and Regulations Part 68, Subpart F

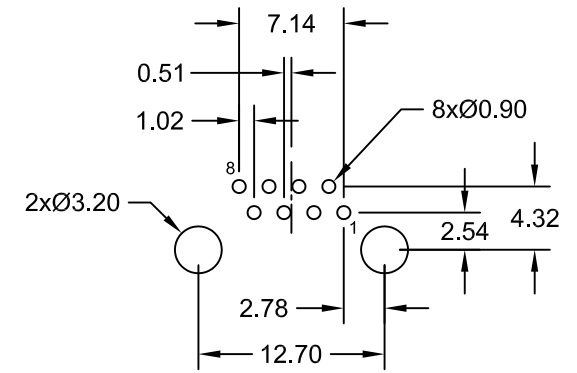
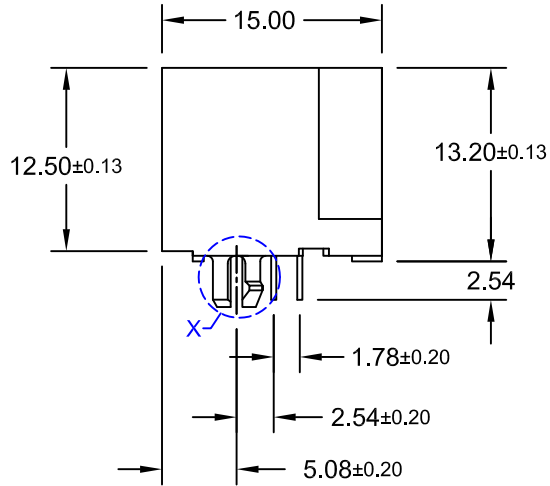
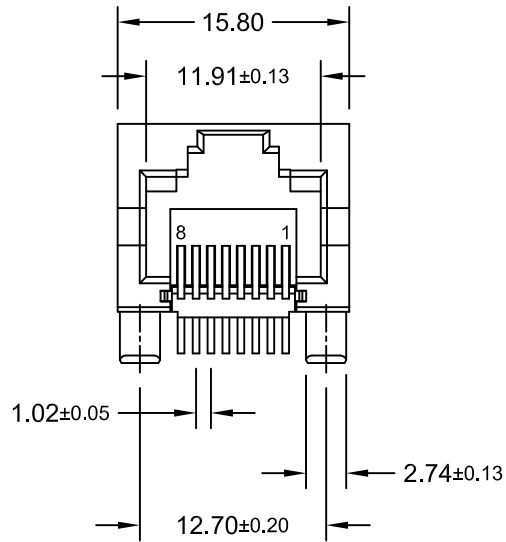
E-tec 2015 © - all rights reserved



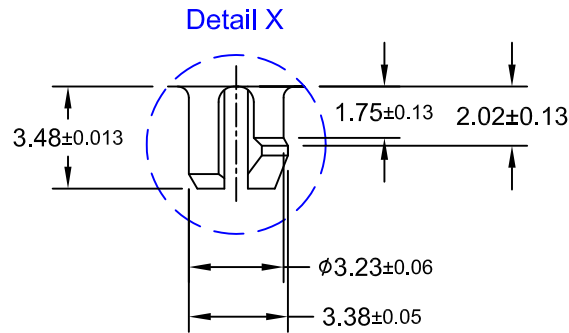
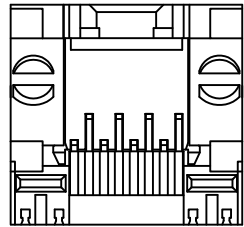
UNIT	SCALE	GENERAL TOLERANCE	DRAWN	DATE	DWG. NO.	SHEET 1/1
mm	Free	X.° ± X. ±	Ronny	04.03.2009	1311515	REV. B
		.X° ± .X ±	Hogi	14.10.2015	SERIES NO.	
		.XX° ± .XX ± 0.15	Hogi	14.10.2015	MJS-188-D4M0-5x	
		.XXX° ± .XXX ±				

THT Side Entry PCB Jack
 RJ45 <8P8C> "Tab down"
 medium profile Type NON shielded

REV.	DESCRIPTION	DATE	DRAWN
A	NEW	27.10.2015	Cherry



Recommended PCB Hole Layout Top View
(Tolerance: ±0.05)



PART NUMBER	GOLD PLATING CONTACT AREA
MJS-188-S3S1-56	6µ"
MJS-188-S3S1-57	15µ"
MJS-188-S3S1-58	30µ"
MJS-188-S3S1-5H	50µ"

Specifications

Electrical
 Current rating: 1.5A
 Insulation resistance: 500MΩ min. / 500V DC
 Withstanding voltage: 1000V AC 60Hz / Minute
 Contact resistance: 50mΩ max. / 20mV DC

Material

Contact: Phosphor Bronze t=0.35mm
 Plating: Au flash on solder area,
 Au on contact area;
 entire contact Ni underplated
 Insulator: Nylon 46 (black) UL 94V-0

Operating temperature: -40°C to +85°C

Cavity comply with FCC Rules and
 Regulations Part 68, Subpart F

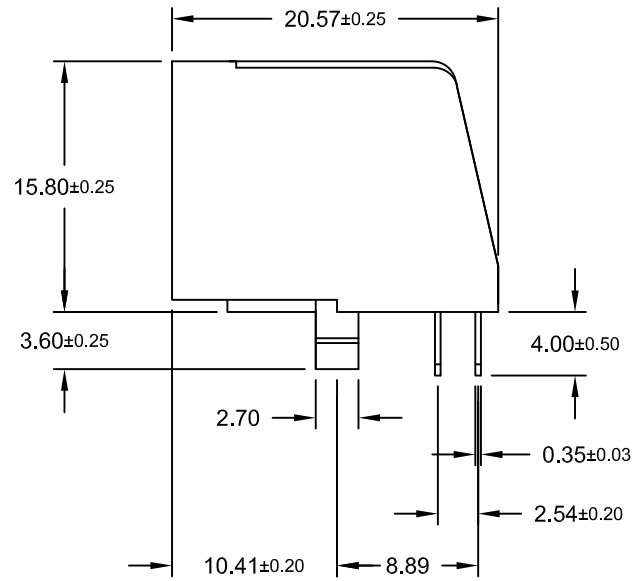
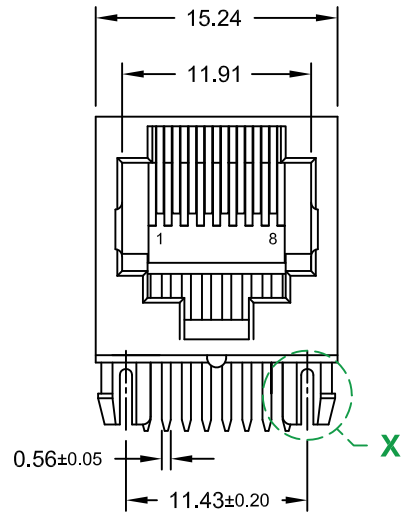
E-tec 2015 © - all rights reserved



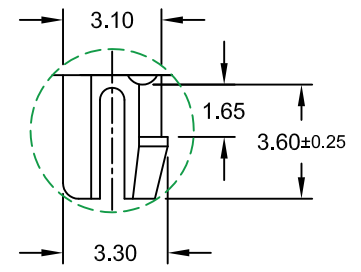
UNIT mm	GENERAL TOLERANCE		DRAWN Cherry	DATE 27.10.2015	DWG. NO. 1311516	SHEET 1/1	
	SCALE Free	X.° ±	X. ±	CHECK Ronny	DATE 27.10.2015	REV. A	
		.XX° ±	.XX ± 0.25	APPROVE Hogi	DATE 27.10.2015	SERIES NO. MJS-188-S3S1-5x	
		.XXX° ±	.XXX ±				

THT Side Entry PCB Jack
 RJ45 <8P8C> "Tab up"
 short profile Type
 NON shielded

REV.	DESCRIPTION	DATE	DRAWN
A	New	15.03.2016	Cherry



Detail X



Specifications

Electrical

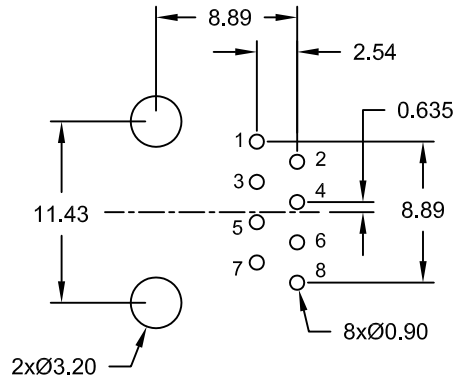
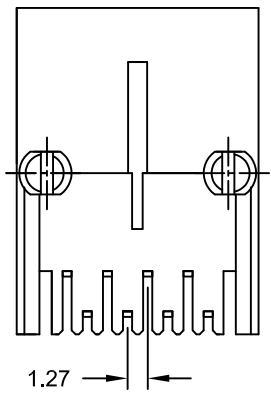
- Current rating: 1.5A max. (@25°C)
- Insulation resistance: 500MΩ min.
- Contact resistance: 15mΩ max.
- Voltage rating: 150V AC max.
- Withstanding voltage: 1000V rms / Minute (60Hz)

Material

- Contact: Phosphor Bronze
- Plating: Au over Ni
- Insulator: PBT (black) UL 94V-0

Operating temperature: -40°C to +85°C

Cavity comply with FCC Rules and Regulations Part 68, Subpart F



Recommended PCB Layout Top View
(Tolerance ±0.05)

PART NUMBER	GOLD PLATING CONTACT AREA
MJS-188-RD3L0-5H	50μ"

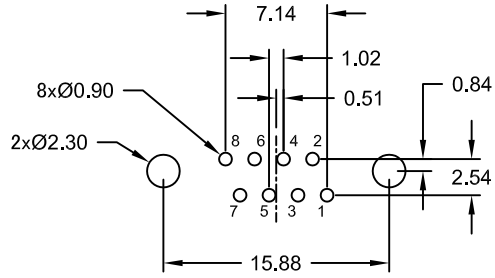
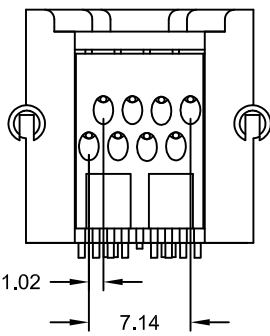
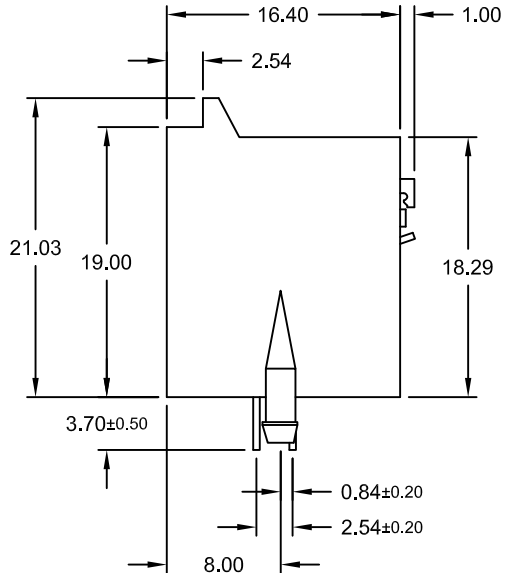
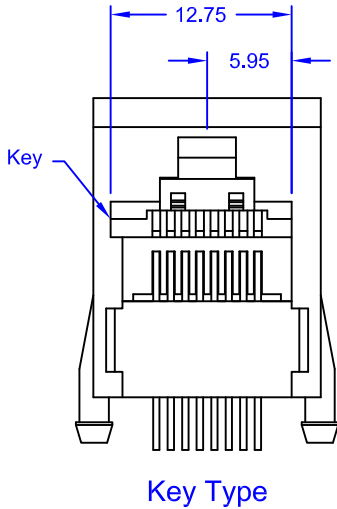
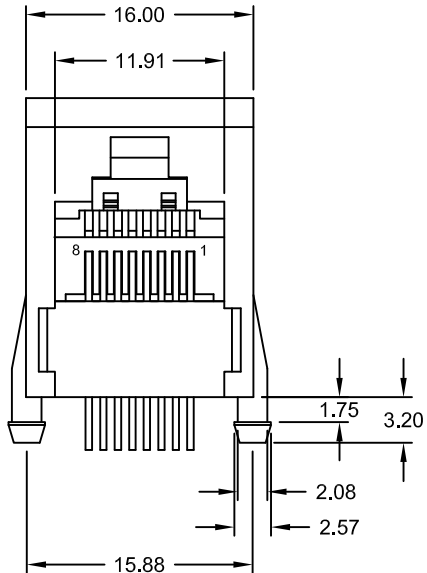
E-tec 2016 © - all rights reserved



UNIT	SCALE	GENERAL TOLERANCE	DRAWN	DATE	DWG. NO.	SHEET 1/1
mm	Free	X.° ± X. ±	Cherry	15.03.2016	1311517	
		.X° ± .X ±	CHECK	15.03.2016		REV. A
		.XX° ± .XX ± 0.13	APPROVE		SERIES NO.	
		.XXX° ± .XXX ±	Hogi	15.03.2016	MJS-188-RD3L0-xx	

SMT PCB Jack Side Entry
RJ45 <8P8C> **"Tab down"**
Long profile Type non shielded

REV.	DESCRIPTION	DATE	DRAWN
A	New	18.11.2016	Cherry



Recommended PCB Layout Top View
(Tolerance ±0.05)

Specifications

Electrical
 Current rating: 1.5A
 Insulation resistance: 500MΩ min.
 Contact resistance: 30mΩ max.
 Withstanding voltage: 1000V AC / Minute

Materials
 Contact: Phosphor Bronze Ø0.45mm
 Plating: Au flash on solder;
 Au contact area see order code
 entire contact Ni underplated
 Housing: PA66 (black) UL 94V-0
 Insert: PBT (black) UL 94V-0

Operating temperature: -40°C to +85°C

Cavity comply with FCC Rules and
 Regulations Part 68, Subpart F

PART NUMBER <i>WITHOUT KEY</i>	PART NUMBER <i>WITH KEY</i>	GOLD PLATING CONTACT AREA
MJS-188-S3S20-56	MJS-188-SC3S20-56	6µ"
MJS-188-S3S20-58	MJS-188-SC3S20-58	30µ"

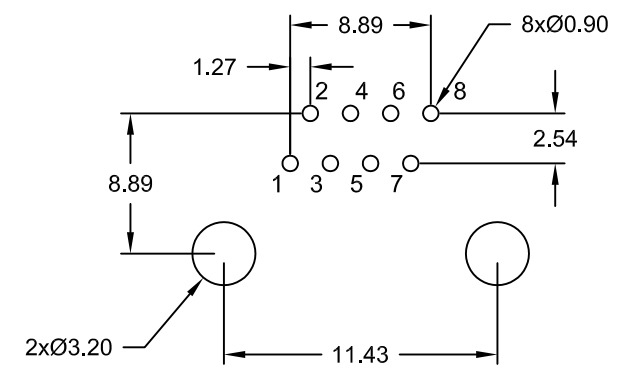
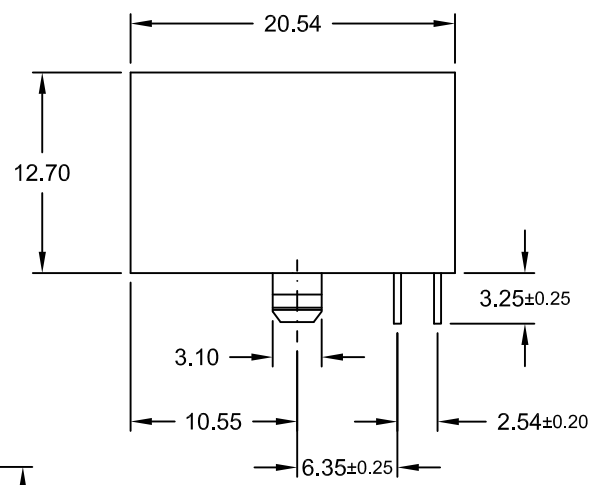
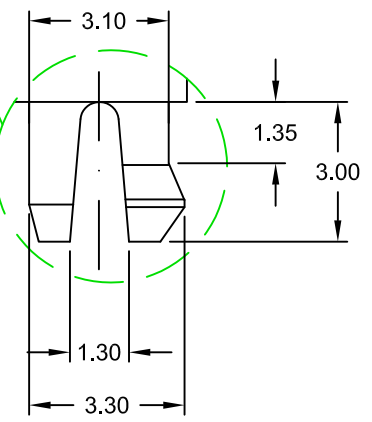
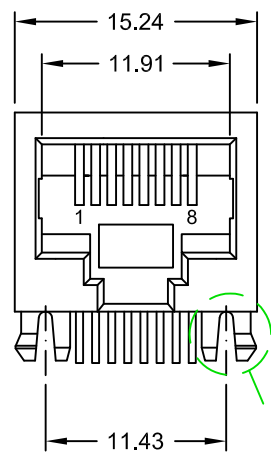
E-tec 2016 © - all rights reserved



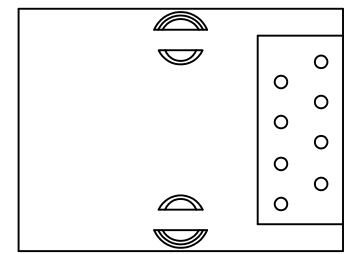
UNIT mm	GENERAL TOLERANCE		DRAWN Cherry	DATE 18.11.2016	DWG. NO. 1311518	SHEET 1/1
	X.° ±	X. ±				
SCALE Free	.X° ±	.X ±	CHECK Ronny	DATE 22.11.2016	SERIES NO. MJS-188-S(C)3S20-xx	REV. A
	.XX° ±	.XX ± 0.13				
	.XXX° ±	.XXX ±	APPROVE Hogi	DATE 07.12.2016		

Side Entry PCB Jack
 RJ45 <8P8C> "Tab up"
 non shielded with panel stop
 with & without Key

REV.	DESCRIPTION	DATE	DRAWN
A	New	02.12.2016	Cherry



Recommended PCB Layout Top View



PART NUMBER	GOLD PLATING CONTACT AREA
MJS-188-D3L2-56	6μ"
MJS-188-D3L2-57	15μ"
MJS-188-D3L2-58	30μ"
MJS-188-D3L2-5H	50μ"

Specifications

Electrical
 Current rating: 1.5A
 Insulation resistance: 500MΩ min.
 Contact resistance: 30mΩ max.
 Withstanding voltage: 1000V AC / Minute

Materials

Contact: Phosphor Bronze t=0.35mm
 Plating: Au on solder area,
 Au on contact area;
 entire contact Ni underplated
 Housing: PBT (black) UL 94V-0
 Operating temperature: -40°C to +85°C
 Cavity comply with FCC Rules and
 Regulations Part 68, Subpart F

E-tec 2016 © - all rights reserved



UNIT mm	GENERAL TOLERANCE		DRAWN Cherry	DATE 02.12.2016	DWG. NO. 1311519	SHEET 1/1					
	SCALE Free	X.° ±					X. ±	CHECK Ronny	DATE 12.12.2016	SERIES NO. MJS-188-D3L2-xx	REV. A
		.XX° ±					.XX ± 0.13				
		.XXX° ±					.XXX ±				
APPROVE Hogi		DATE 12.12.2016									

Side Entry PCB Jack
 RJ45 <8P8C> **"Tab down"**
 non shielded