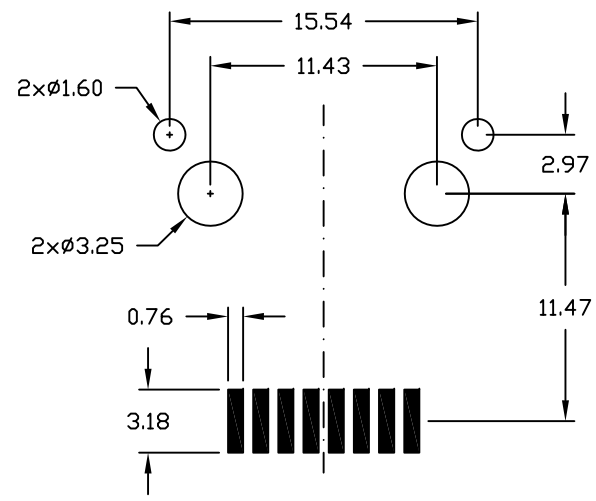
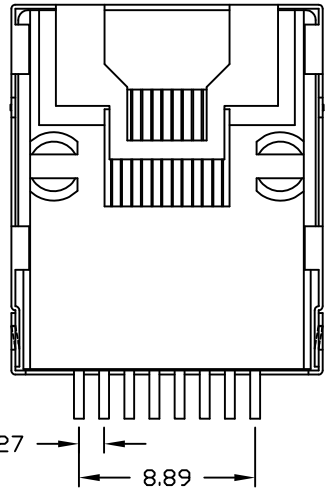
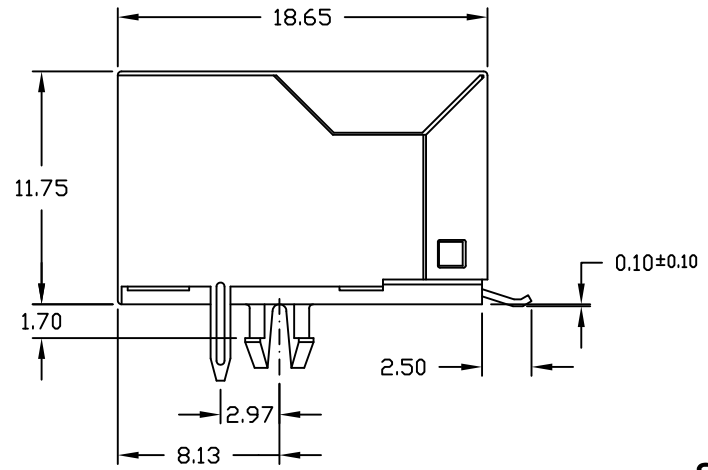
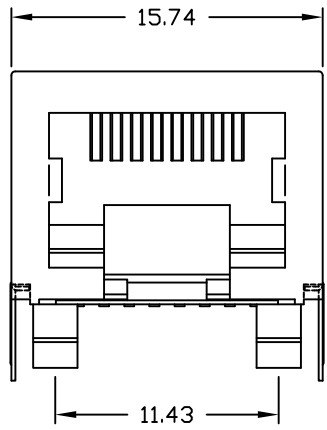


REV.	LOCAS.	DESCRIPTION	DATE	DRAWN
A		NEW	16.02.1993	Jerry
B		FRAME	12.10.2010	Ronny
C		add Packing Option	10.08.2011	Ronny
D		New DWG. No.	01.02.2012	Ronny



Recommended PCB Layout

Specifications

- Material:
 - Housing: Nylon UL 94V-0
 - Contact: Phosphor Bronze
 - plating: Sn over Ni on solder area
 - Au over Ni on contact area
- Electrical:
 - Current rating: 1.5A max. @ 25°C
 - Voltage rating: 150V AC max.
 - Contact resistance: 15mΩ max.
 - Withstanding voltage: 1000V rms 1 Minute 60Hz
 - Insulation resistance: 500MΩ min.
- Environmental:
 - Operating temperature: -20°C to +85°C
 - Processing temperature: +250°C +/-5°C for 10 seconds
- Cavity confirms to FCC rules and registration PAR68, subparts F.
- Packing: Reel (130pcs.)

PART NUMBER	GOLD PLATING CONTACT AREA
MJS-188-T1M0-96/CSX	6μ"
MJS-188-T1M0-97/CSX	15μ"
MJS-188-T1M0-98/CSX	30μ"
MJS-188-T1M0-5H/CSX	flash/50μ"

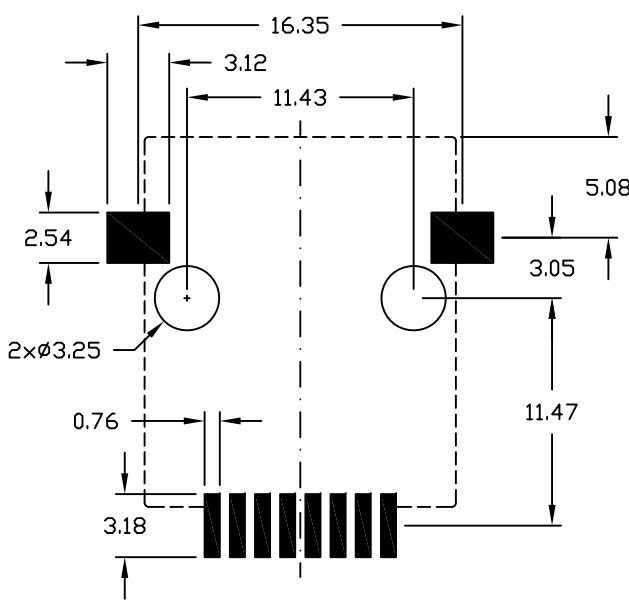
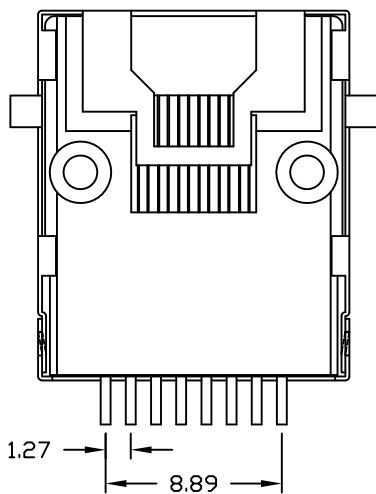
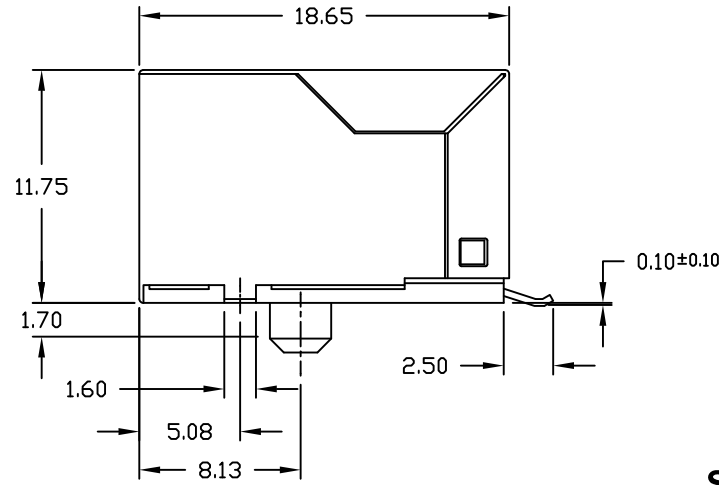
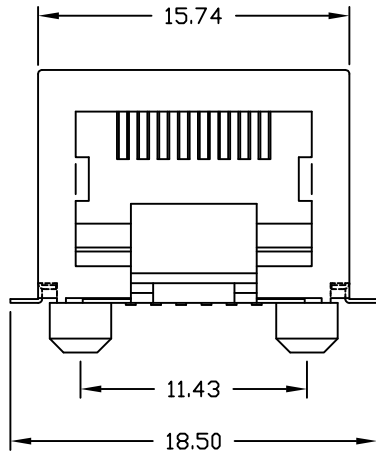
add "R" if Reel packing



UNIT mm	GENERAL TOLERANCE		DRAWN Jerry	DATE 16.02.1993	DWG. NO. 1731500	SHEET 1/1
	SCALE Free	X.° ±	X ± 0.50	CHECK Ronny	DATE 01.02.2012	REV. D
		.XX° ±	.XX ± 0.25	APPROVE Hogi	DATE 01.02.2012	SERIES NO. MJS-188-T1M0-9x/CSX
		Ang. ± 3°	.XXX ± 0.10			

Side entry SMT PCB JACK
 RJ45 <8P/8C> fully shielded
 with **straight solder tabs**

REV.	LOCAS.	DESCRIPTION	DATE	DRAWN
A		NEW	16.02.1993	Jerry
B		FRAME	12.10.2010	Ronny
C		New DWG. No.	01.02.2012	Ronny



Recommended PCB Layout

Specifications

- Material:
 - Housing: Nylon UL 94V-0
 - Contact: Phosphor Bronze
 - plating: Sn over Ni on solder area
 - Au over Ni on contact area
- Electrical:
 - Current rating: 1.5A max. @ 25°C
 - Voltage rating: 150V AC max.
 - Contact resistance: 15mΩ max.
 - Withstanding voltage: 1000V rms 1 Minute 60Hz
 - Insulation resistance: 500MΩ min.
- Environmental:
 - Operating temperature: -20°C to +85°C
 - Processing temperature: +250°C +0/-5°C for 10 seconds
- Cavity conforms to FCC rules and registration PAR68, subparts F.

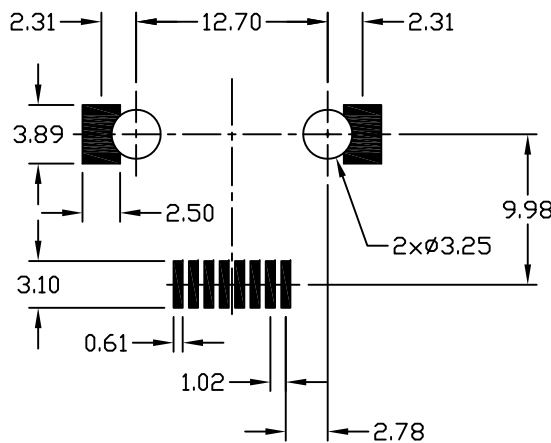
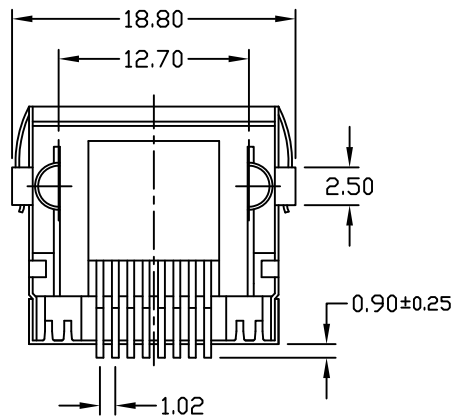
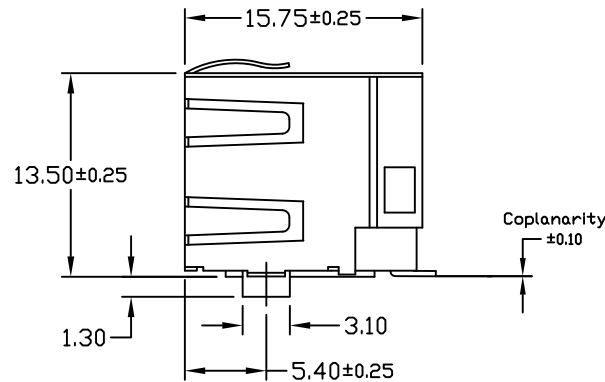
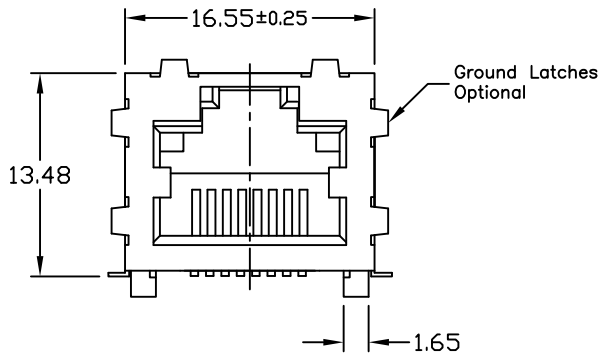
PART NUMBER	GOLD PLATING CONTACT AREA
MJS-188-W1M0-96/CS	6μ"
MJS-188-W1M0-97/CS	15μ"
MJS-188-W1M0-98/CS	30μ"
MJS-188-W1M0-9H/CS	50μ"



UNIT	mm	GENERAL TOLERANCE		DRAWN	Jerry	DATE	16.02.1993	DWG. NO.	1731501	SHEET 1/1
SCALE	Free	X.° ±	X ± 0.50	CHECK	Ronny	DATE	01.02.2012	SERIES NO.	MJS-188-W1M0-9x/CS	REV. C
		.X° ±	.X ± 0.38	APPROVE	Hogi	DATE	01.02.2012			
		.XX° ±	.XX ± 0.25							
		Ang. ± 3°	.XXX ± 0.10							

Side entry SMT PCB JACK
 RJ45 <8P/8C> fully shielded
 with wing solder tabs
 with locating pegs

REV.	LOCAS.	DESCRIPTION	DATE	DRAWN
A		NEW	25.11.2004	HUANG
B		SPEC	12.12.2008	RONNY
C		ADD PLATING CODE	16.12.2008	RONNY
D		New DWG. No.	01.02.2012	RONNY



SPECIFICATION:

- HOUSING: NYLON black UL 94V-0
heat deflection temp. +290°C
- CONTACT: 0.35mm thick PhBz
PLATING: solder area Au flash
contact area Au 6µ" = Code -56
Au 15µ" = Code -57
- SHIELD: 0.25mm thick Copper Alloy
PLATING: Nickel
- ELECTRICAL:
Current Rating: 1.5A @25°C
Contact Resistance: 20mΩ max.
Insulation Resistance: 500MΩ min.
Voltage Rating: 150V AC
Dielectric Withstanding Voltage: 1000V rms/Min. 60Hz
- CAVITY CONFIRMS TO FCC RULES AND REGULATIONS PART 68, SUBPART F.
- TEMPERATURE:
Operating Temp. -20°C TO +85°C
Processing Temp. +250°C +0/-5°C
for 10 Seconds

PART-NUMBER	PLATING	OPTION
MJS-188-W3S0-56/CS	6µ"Au	WITHOUT Grd. Latches
MJS-188-W3S0-57/CS	15µ"Au	WITHOUT Grd. Latches
MJS-188-W3S0-56/CA	6µ"Au	WITH Grd. Latches
MJS-188-W3S0-57/CA	15µ"Au	WITH Grd. Latches

PCB LAYOUT TOP VIEW

TOLERANCE ±0.05



UNIT	mm
SCALE	Free

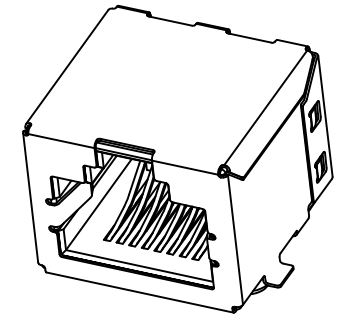
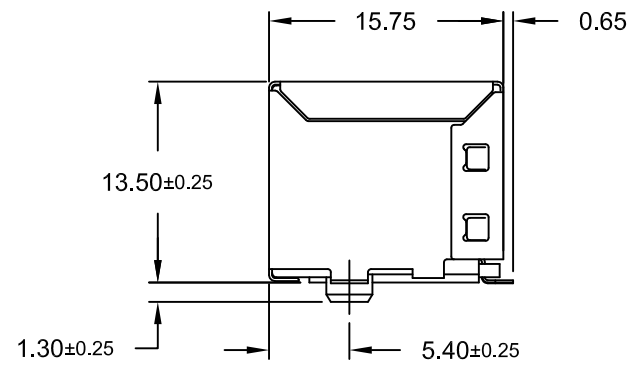
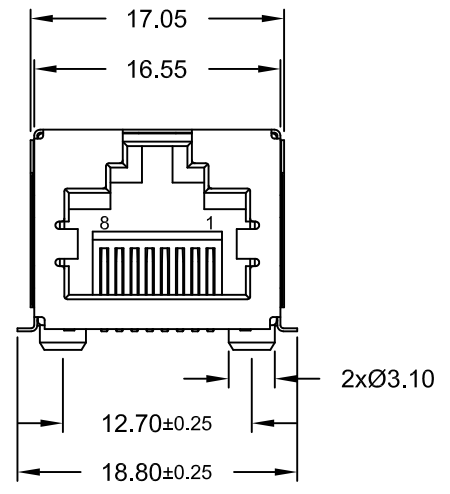
GENERAL TOLERANCE	
X.° ±	X. ±
.X° ±	.X ± 0.25
RAD II ^{+0.40} / _{-0.15}	.XX ± 0.20
ANG. ± 0° 30'	.XXX ± 0.10

DRAWN	HUANG	DATE	25.11.2004
CHECK	Ronny	DATE	01.02.2012
APPROVE	HOGI	DATE	01.02.2012

DWG. NO.	1731503	SHEET 1/1
SERIES NO.	MJS-188-W3S0-xx/CX	REV. D

SMT PCB JACK SIDE ENTRY
RJ45 <8P/8C>
 fully shielded with wing tabs
 with & without grd. latches

REV.	DESCRIPTION	DATE	DRAWN
A	NEW	17.11.2015	Cherry



Specifications

Electrical

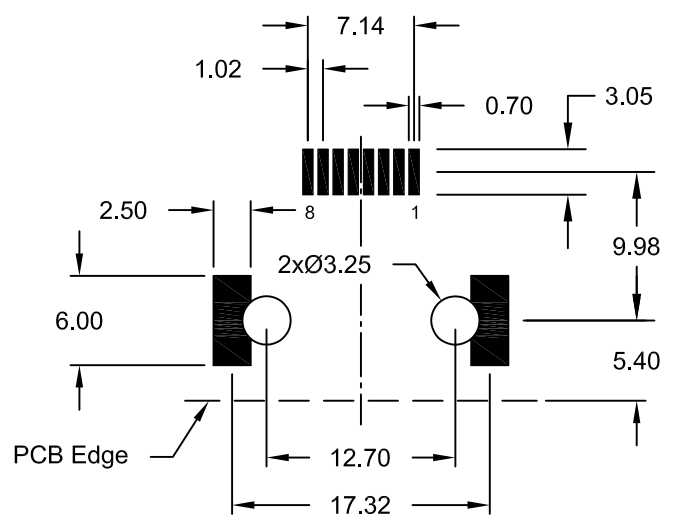
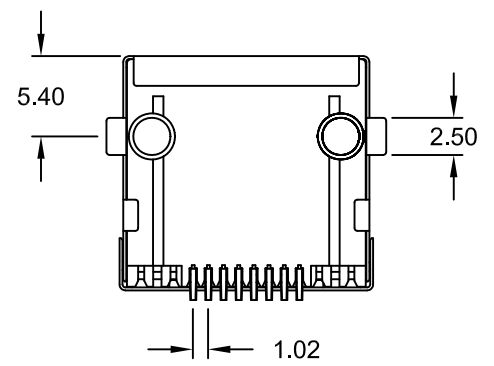
Current rating: 1.5A
 Insulation resistance: 500MΩ min. @ 500V DC
 Voltage rating: 125V AC rms
 Withstanding voltage: 1000V AC rms 50Hz / Minute
 Contact resistance: 50mΩ max.

Materials

Contact: Copper Alloy t=0.20mm
 Plating: Sn on solder area,
 Au on contact area;
 entire contact Ni underplated
 Insulator: LCP (Black) UL 94V-0

Operating temperature: -40°C to +85°C
 Processing temperature: 250°C +0/-5°C
 for 10 seconds

Cavity comply with FCC Rules and
 Regulations Part 68, Subpart F



Recommended PCB Layout Top View
 (Tolerance ±0.05)

PART NUMBER	GOLD PLATING CONTACT AREA
MJS-188-WS0S0-95/CS	flash
MJS-188-WS0S0-96/CS	6μ"
MJS-188-WS0S0-97/CS	15μ"
MJS-188-WS0S0-98/CS	30μ"
MJS-188-WS0S0-9H/CS	50μ"

E-tec 2015 © - all rights reserved



UNIT	mm	GENERAL TOLERANCE		DRAWN	Cherry	DATE	17.11.2015	DWG. NO.	1731505	SHEET 1/1
	SCALE	Free	.X° ±		.X ±		CHECK		Ronny	
			.XX° ±	.XX ± 0.15	APPROVE	Hogi	DATE	17.11.2015	SERIES NO.	MJS-188-WS0S0-9x/CS
			.XXX° ±	.XXX ±						

Side Entry SMT PCB Jack
 RJ45 <8P8C> "Tab up"
 fully shielded with wing tabs