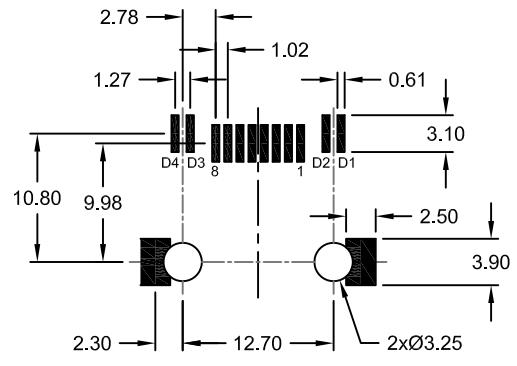
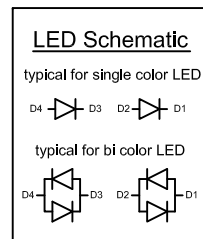
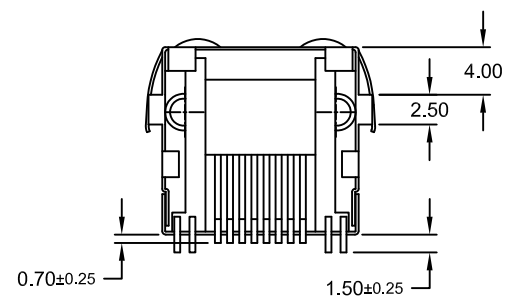
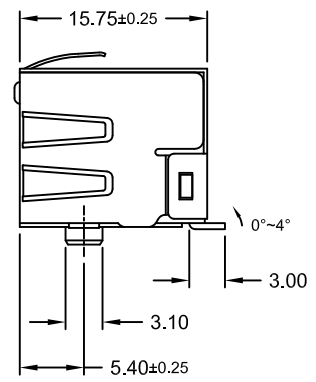
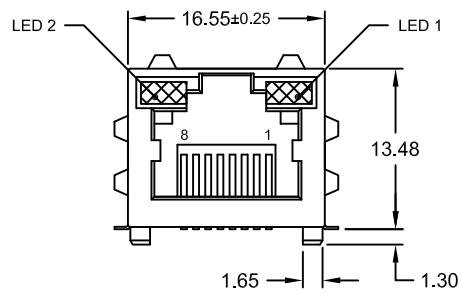


REV.	DESCRIPTION	DATE	DRAWN
A	New	10.05.2007	RH
C	update Specification	04.07.2012	RH
D	Add Plating option	01.03.2013	Ryan
E	Update	04.02.2015	Ronny
F	Operating: 0°C to +70°C -> -40°C to +85°C	21.03.2016	Cherry



Recommended PCB Layout Top View
(Tolerance ±0.05)

Replace "x" with LED Color Options

Packing option

/R = Reel
no suffix = Tray (Standard)

PART NUMBER	GOLD PLATING CONTACT AREA
MJS-188-WL3S1-55/xCA/R	3µ"
MJS-188-WL3S1-56/xCA/R	6µ"
MJS-188-WL3S1-57/xCA/R	15µ"
MJS-188-WL3S1-58/xCA/R	30µ"
MJS-188-WL3S1-5H/xCA/R	50µ"

	LED 2	LED 1
1	YELLOW	GREEN
2	NO LED	GREEN
3	GREEN	NO LED
4	GREEN	YELLOW
5	GREEN	GREEN
6	YELLOW	YELLOW
7	ORANGE/GREEN	ORANGE/GREEN
8	YELLOW/GREEN	YELLOW/GREEN
9	RED	NO LED
A	GREEN/YELLOW	GREEN/YELLOW
B	RED/GREEN	RED/GREEN
C	RED/GREEN	GREEN/YELLOW
D	GREEN	GREEN/YELLOW
E	YELLOW	GREEN/YELLOW



Specifications

Electrical
 Current rating: 1.5A max.
 Insulation resistance: 500MΩ min.
 Contact resistance: 20mΩ max.
 Voltage rating: 150V AC max.
 Withstanding voltage: 1000V rms / Minute (60Hz)

Material

Contact: Phosphor Bronze t=0.35mm
 Plating: Au flash on solder area;
 Au on contact area (see PN code)
 Shield: Copper Alloy t=0.25mm; Ni Plated
 Insulator: PA9T (black) UL 94V-0

Operating temperature: -40°C to +85°C
 Processing temperature: +250°C +/-5°C
 for 10 secondss

Cavity comply with FCC Rules and Regulations Part 68,
 Subpart F

Packing

Tray (Standard); Reel (Option)

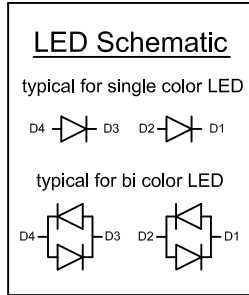
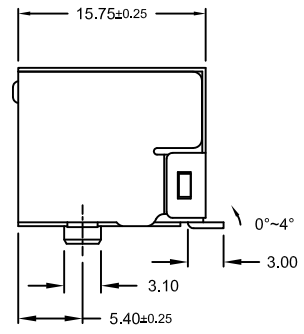
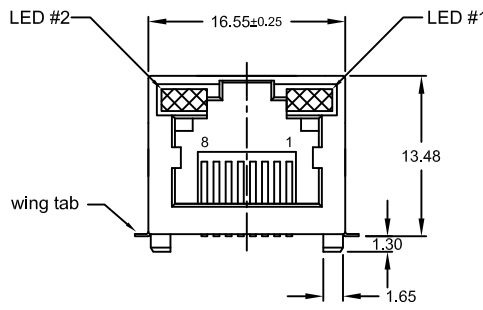
E-tec 2016 © - all rights reserved



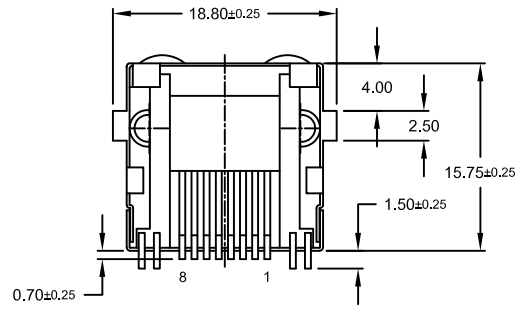
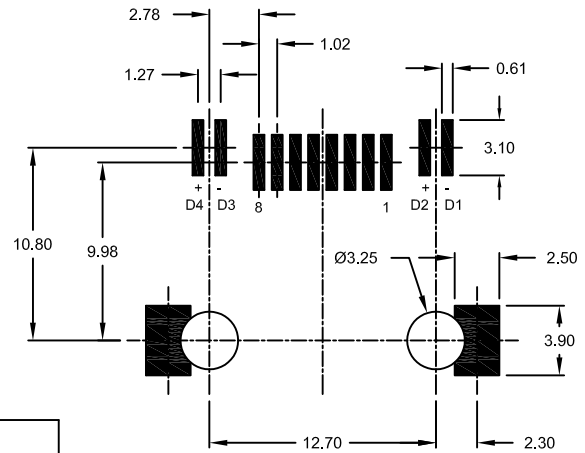
UNIT	GENERAL TOLERANCE		DRAWN	DATE	DWG. NO.	SHEET 1/1
mm	X.° ±	X. ±	RH	10.05.2007	1741500	
SCALE	.X° ±	.X ±	CHECK	21.03.2016		REV. F
	.XX° ±	.XX ± 0.20	APPROVE	21.03.2016	SERIES NO.	
	.XXX° ±	.XXX ±	Hogi		MJS-1xx-WL3S1-xx/xCA/X	

Side entry PCB Jack with LED
SMT RJ45 <8P/8C> short profile
 with wing tabs, fully shielded, and gnd. latches around
Nylon Material

REV.	DESCRIPTION	DATE	DRAWN
A	NEW / Initial Release	10.05.2007	Huang
B	New DWG. No.	01.02.2012	Ronny
C	Update Specification	04.07.2012	RH
D	Add Plating option	04.03.2013	Ronny
E	Update	04.02.2015	Ronny



RECOMMENDED PCB LAYOUT
TOP VIEW (TOLERANCE ±0.05)



SPECIFICATION

- HOUSING: PA9T GN2330, UL94 V-0 BLACK
- CONTACT: PhBz; t=0.35mm
PLATING: FLASH Au on solder area
- SHIELD: COPPER ALLOY; t=0.25mm, Ni PLATED
- ELECTRICAL:
CONTACT RESISTANCE: 20mΩ max.
INSULATION RESISTANCE: 500MΩ min.
VOLTAGE RATING: 150V AC
- TEMPERATURE
STORAGE: -40°C TO +85°C
OPERATION: 0°C TO +70°C
IR REFLOW: +250°C - +265°C (5-10 Sec.)
- CAVITY COMPLY WITH FCC RULES AND REGULATIONS PART 68, SUBPART F
STANDARD PACKING: TRAY



Replace "x" with LED Color Options

PART NUMBER	GOLD PLATING CONTACT AREA
MJS-188-WL3S1-55/xCS	3μ"
MJS-188-WL3S1-56/xCS	6μ"
MJS-188-WL3S1-57/xCS	15μ"
MJS-188-WL3S1-58/xCS	30μ"
MJS-188-WL3S1-5H/xCS	50μ"

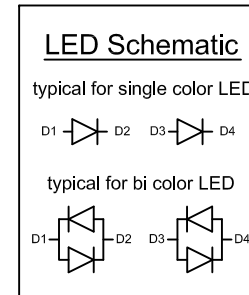
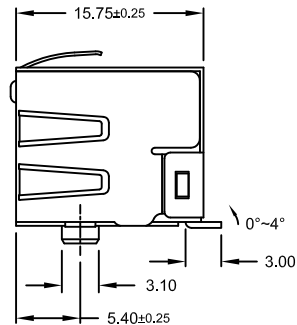
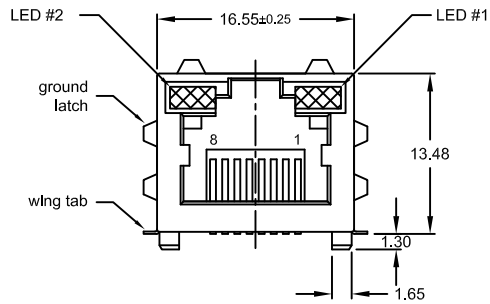
LED Color Options	
LED 2	LED 1
1	YELLOW GREEN
2	NO LED GREEN
3	GREEN NO LED
4	GREEN YELLOW
5	GREEN GREEN
6	YELLOW YELLOW
7	ORANGE/GREEN ORANGE/GREEN
8	YELLOW/GREEN YELLOW/GREEN
9	RED NO LED
A	GREEN/YELLOW GREEN/YELLOW
B	RED/GREEN RED/GREEN
C	RED/GREEN GREEN/YELLOW
D	GREEN GREEN/YELLOW
E	YELLOW GREEN/YELLOW



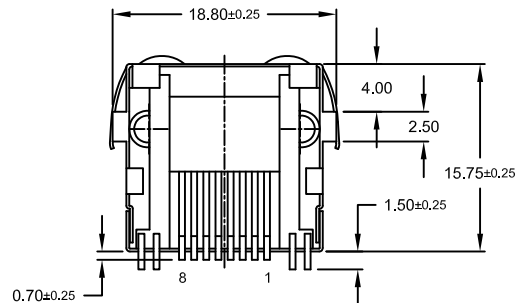
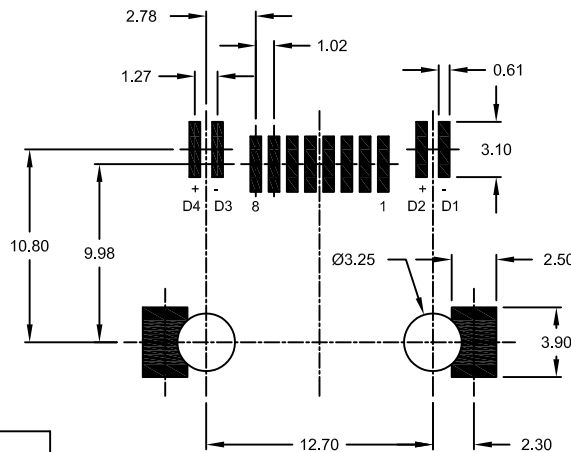
UNIT	mm	GENERAL TOLERANCE	DRAWN	Huang	DATE	10.05.2007	DWG. NO.	1741501	SHEET 1/1
SCALE	Free	.X° ± 5° X. ± 0.30	CHECK	Ronny	DATE	04.02.2015	SERIES NO.	MJS-188-WL3S1-xx/xCX	REV. E
		.XX° ± 3° .XX ± 0.25	APPROVE	HOGI	DATE	04.02.2015			
		.XX° ± 2° .XX ± 0.20							
		.XXX° ± 1° .XXX ± 0.10							

SIDE ENTRY PCB JACK WITH LED
SMT RJ45 <8P/8C> short profile
with wing tabs, fully shielded **without** ground latches
Nylon Material - Tray packing

REV.	DESCRIPTION	DATE	DRAWN
A	NEW / Initial Release	04.07.2012	Ronny
B	Add Plating option	01.03.2013	Ryan
C	Update: Material PA9T -> LCP	04.02.2015	Ronny



RECOMMENDED PCB LAYOUT
TOP VIEW (TOLERANCE ±0.05)



SPECIFICATION

- HOUSING: LCP UL94 V-0 BLACK
- CONTACT: PhBz; t=0.35mm
PLATING: FLASH Au on solder area
- SHIELD: COPPER ALLOY; t=0.25mm, Ni PLATED
- ELECTRICAL:
CONTACT RESISTANCE: 20mΩ max.
INSULATION RESISTANCE: 500MΩ min.
VOLTAGE RATING: 150V AC
- TEMPERATURE
STORAGE: -40°C TO +85°C
OPERATION: 0°C TO +70°C
IR REFLOW: +250°C - +265°C (5-10 Sec.)
- CAVITY COMPLY WITH FCC RULES AND REGULATIONS PART 68, SUBPART F
STANDARD PACKING: TRAY



Replace "x" with
LED Color Options

	LED Color Options	
	LED 2	LED 1
1	YELLOW	GREEN
2	NO LED	GREEN
3	GREEN	NO LED
4	GREEN	YELLOW
5	GREEN	GREEN
6	YELLOW	YELLOW
7	ORANGE/GREEN	ORANGE/GREEN
8	YELLOW/GREEN	YELLOW/GREEN
9	RED	NO LED
A	GREEN/YELLOW	GREEN/YELLOW
B	RED/GREEN	RED/GREEN
C	RED/GREEN	GREEN/YELLOW
D	GREEN	GREEN/YELLOW
E	YELLOW	GREEN/YELLOW

PART NUMBER	GOLD PLATING CONTACT AREA
MJS-188-WL3S2-55/xCA	3μ"
MJS-188-WL3S2-56/xCA	6μ"
MJS-188-WL3S2-57/xCA	15μ"
MJS-188-WL3S2-58/xCA	30μ"
MJS-188-WL3S2-5H/xCA	50μ"



UNIT	GENERAL TOLERANCE		DRAWN	DATE	DWG. NO.	SHEET 1/1
mm	X.° ± 5°	X. ± 0.30	Ronny	04.07.2012	1741502	REV. C
SCALE	.X° ± 3°	.X ± 0.25	CHECK	04.02.2015	SERIES NO.	
Free	.XX° ± 2°	.XX ± 0.20	APPROVE	04.02.2015	MJS-1xx-WL3S2-xx/xCX	
	.XXX° ± 1°	.XXX ± 0.10	HOGI			

SIDE ENTRY PCB JACK WITH LED
SMT RJ45 <8P/8C> short profile
with wing tabs, fully shielded, and gnd. latches around
LCP Material - Tray packing